

Features

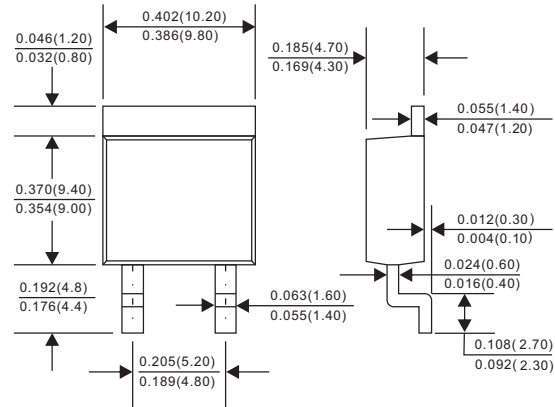
- Batch process design, excellent power dissipation offers better reverse leakage current and thermal resistance.
- Low profile surface mounted application in order to optimize board space..
- High current capability.
- Super fast reovery time for switching mode application.
- High surge current capability.
- Glass passivated chip junction.
- Lead-free parts meet environmental standards of MIL-STD-19500/228

Mechanical data

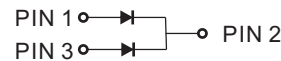
- Epoxy:UL94-V0 rated flame retardant
- Case : Molded plastic, TO-263 / D2PAK
- Terminals : Solder plated, solderable per MIL-STD-750, Method 2026
- Polarity : Indicated by cathode band
- Mounting Position : Any
- Weight : Approximated 1.46 gram
- **Pb-Free package is available**
RoHS product for packing code suffix "G"
Halogen free product for packing code suffix "H"

Package outline

D2PAK



Dimensions in inches and (millimeters)



Maximum ratings and Electrical Characteristics (AT $T_A=25^{\circ}\text{C}$ unless otherwise noted)

PARAMETER	CONDITIONS	Symbol	MIN.	TYP.	MAX.	UNIT
Forward rectified current	Ambient temperature = 50°C	I_O			10.0	A
Forward surge current	8.3ms single half sine-wave superimposed on rate load (JEDEC methode)	I_{FSM}			150	A
Reverse current	$V_R = V_{RRM}$ $T_J = 25^{\circ}\text{C}$	I_R			10	μA
	$V_R = V_{RRM}$ $T_J = 125^{\circ}\text{C}$				50	
Diode junction capacitance	f=1MHz and applied 4V DC reverse voltage	C_J		80		pF
Storage temperature		T_{STG}	-65		+175	$^{\circ}\text{C}$

SYMBOLS	V_{RRM} ^{*1} (V)	V_{RMS} ^{*2} (V)	V_R ^{*3} (V)	V_F ^{*4} (V)	t_{rr} ^{*5} (ns)	Operating temperature T_J , ($^{\circ}\text{C}$)
SGFM101C-D2	50	35	50	0.975	35	-55 to +150
SGFM102C-D2	100	70	100			
SGFM104C-D2	200	140	200			
SGFM106C-D2	400	280	400	1.30		
SGFM108C-D2	600	420	600	1.70		

- *1 Repetitive peak reverse voltage
- *2 RMS voltage
- *3 Continuous reverse voltage
- *4 Maximum forward voltage@ $I_F=5.0\text{A}$
- *5 Reverse recovery time, note 1

Note 1. Reverse recovery time test condition, $I_F=0.5\text{A}$, $I_R=1.0\text{A}$, $I_{RR}=0.25\text{A}$

Rating and characteristic curves

FIG.1 - FORWARD CURRENT DERATING CURVE

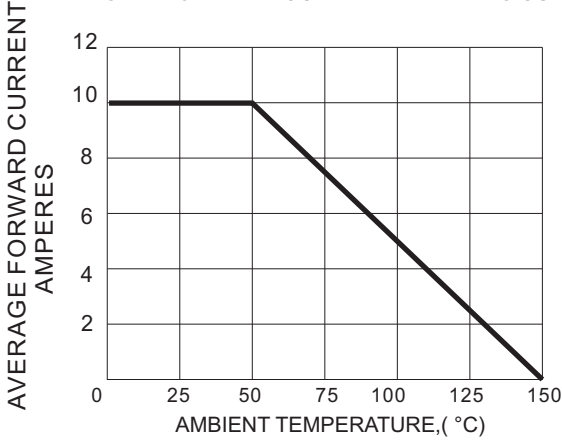


FIG. 2 - MAXIMUM NON-REPETITIVE PEAK FORWARD SURGE CURRENT

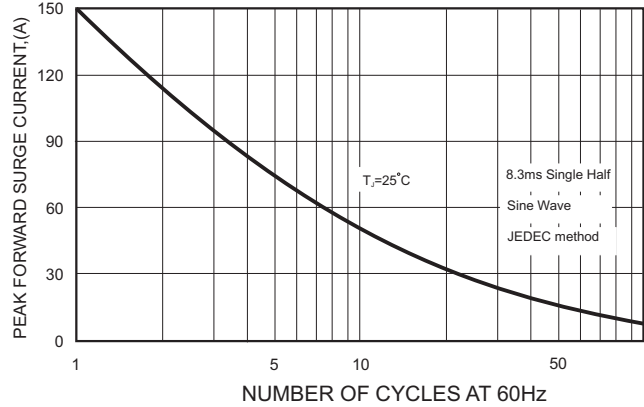


FIG. 3 - TYPICAL INSTANTANEOUS FORWARD CHARACTERISTICS

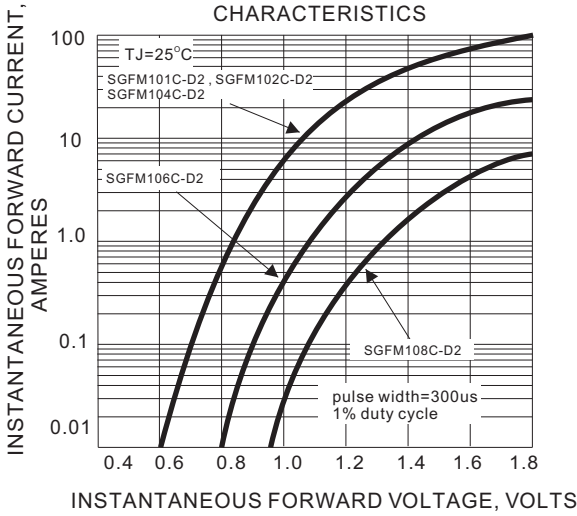


FIG. 4 - TYPICAL INSTANTANEOUS REVERSE CHARACTERISTICS

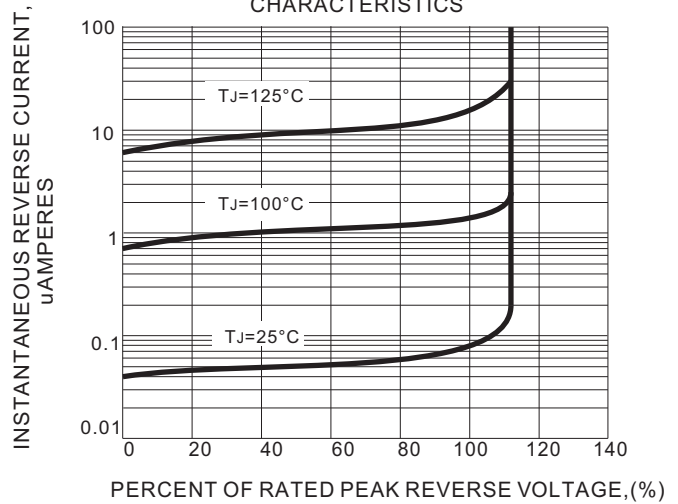


FIG. 5 - TYPICAL JUNCTION CAPACITANCE

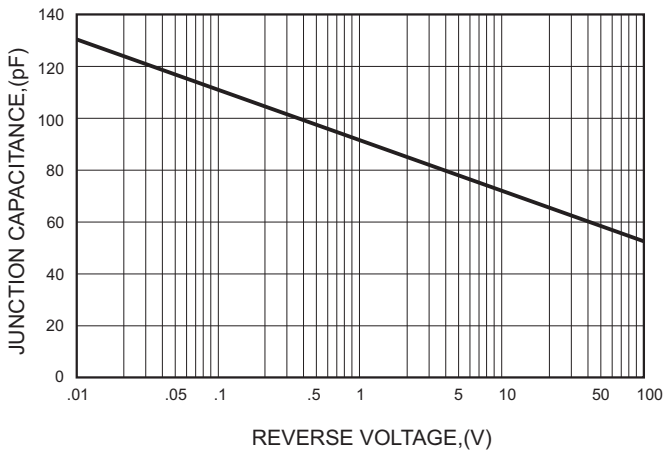
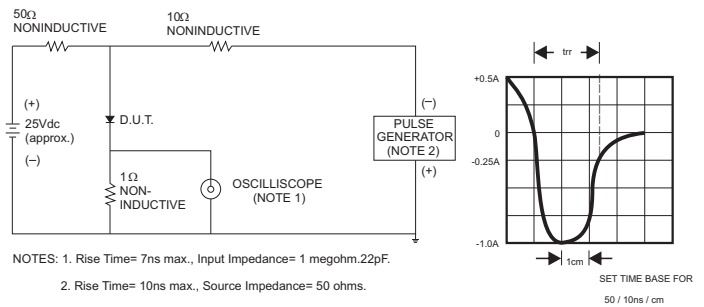
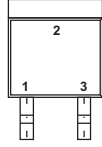
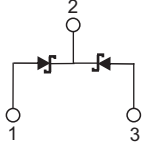


FIG. 6 - TEST CIRCUIT DIAGRAM AND REVERSE RECOVERY TIME CHARACTERISTIC



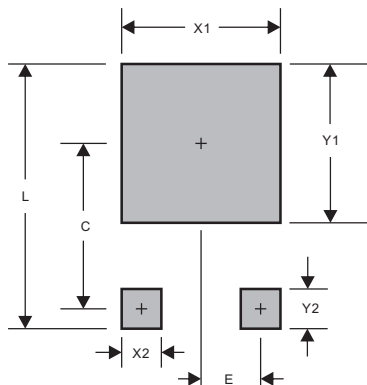
Pinning information

Simplified outline	Symbol
	

Marking

Type number	Marking code
SGFM101C-D2	SF101C
SGFM102C-D2	SF102C
SGFM104C-D2	SF104C
SGFM106C-D2	SF106C
SGFM108C-D2	SF108C

Suggested solder pad layout



PACKAGE	D2PAK
C	0.374(9.50)
E	0.098(2.50)
L	0.665(16.90)
X1	0.425(10.80)
X2	0.071(1.80)
Y1	0.449(11.40)
Y2	0.138(3.50)

Dimensions in inches and (millimeters)