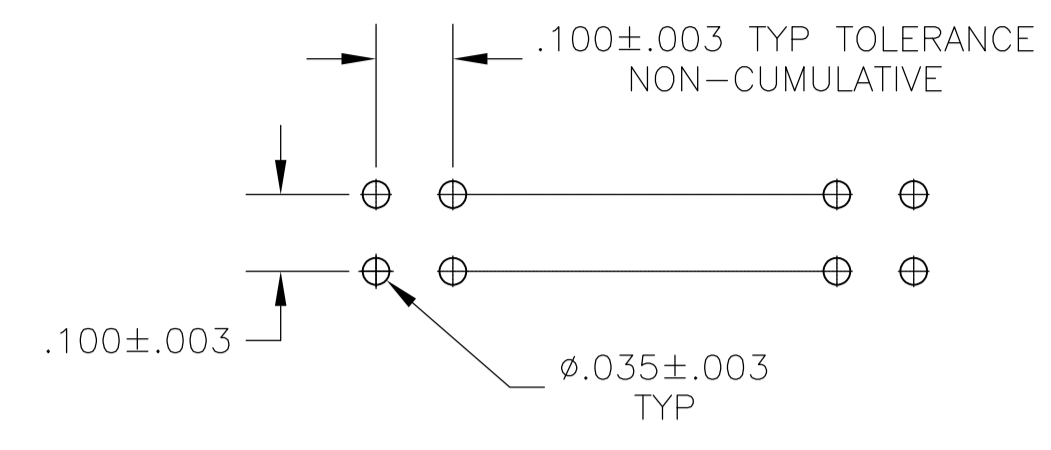
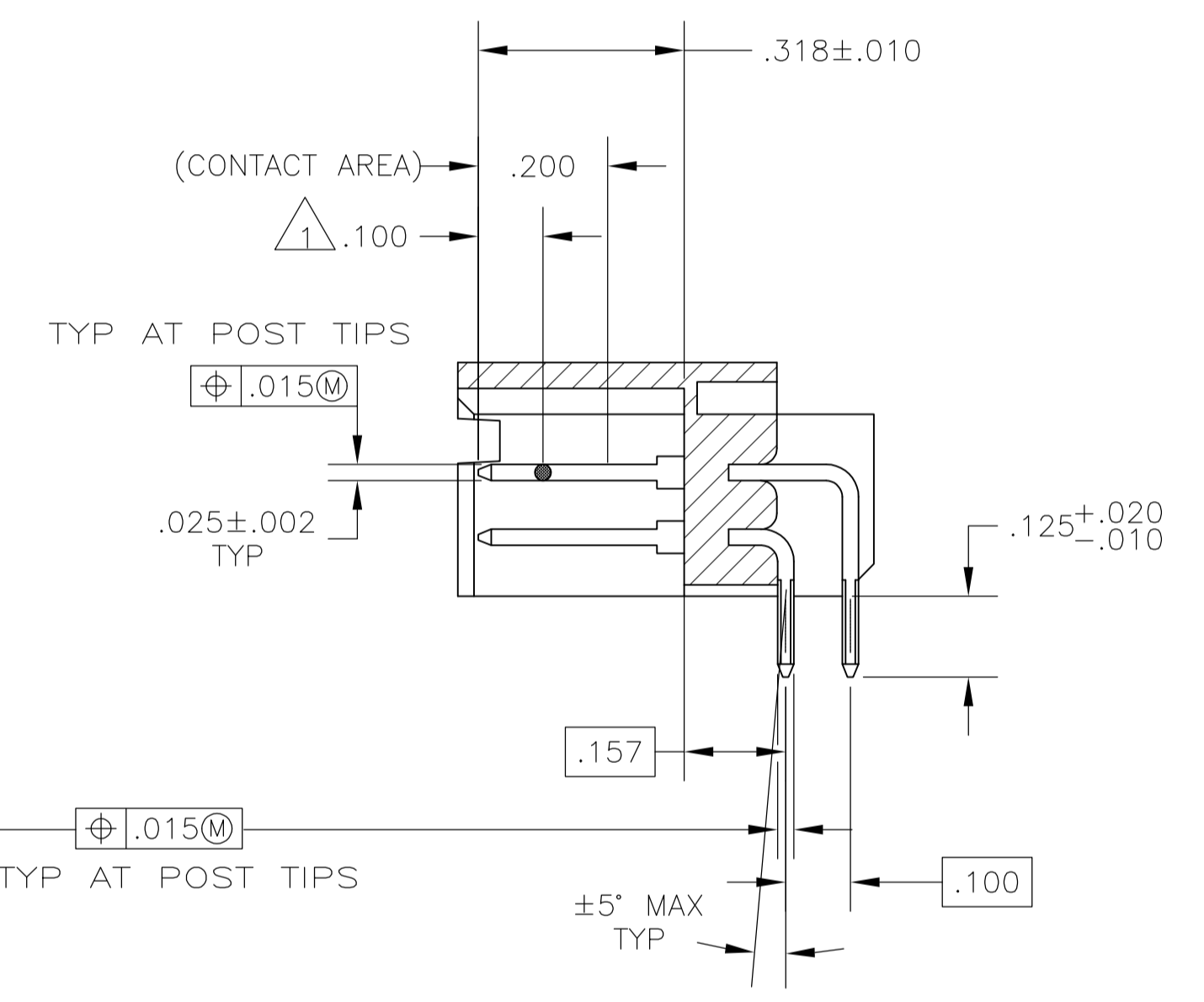
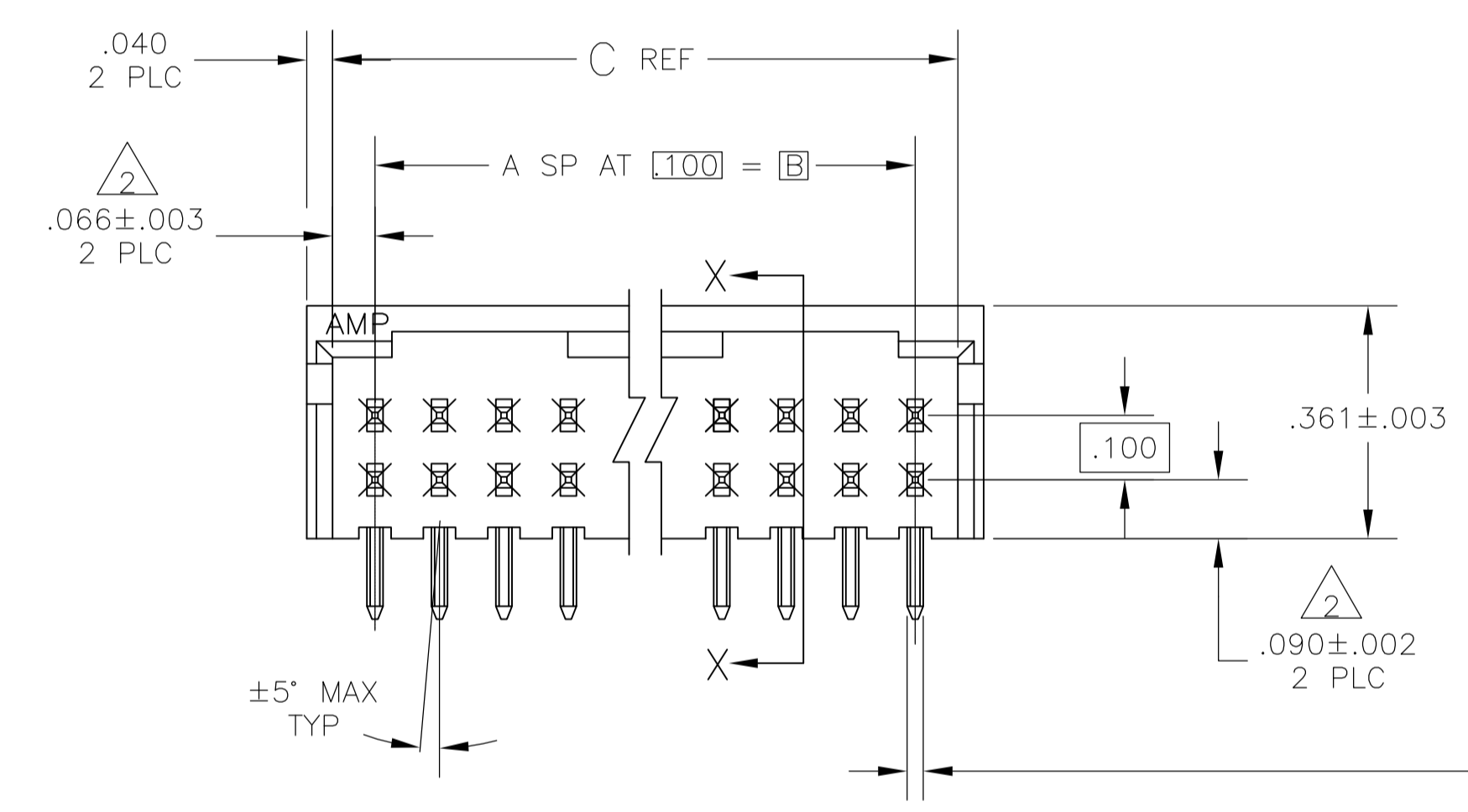
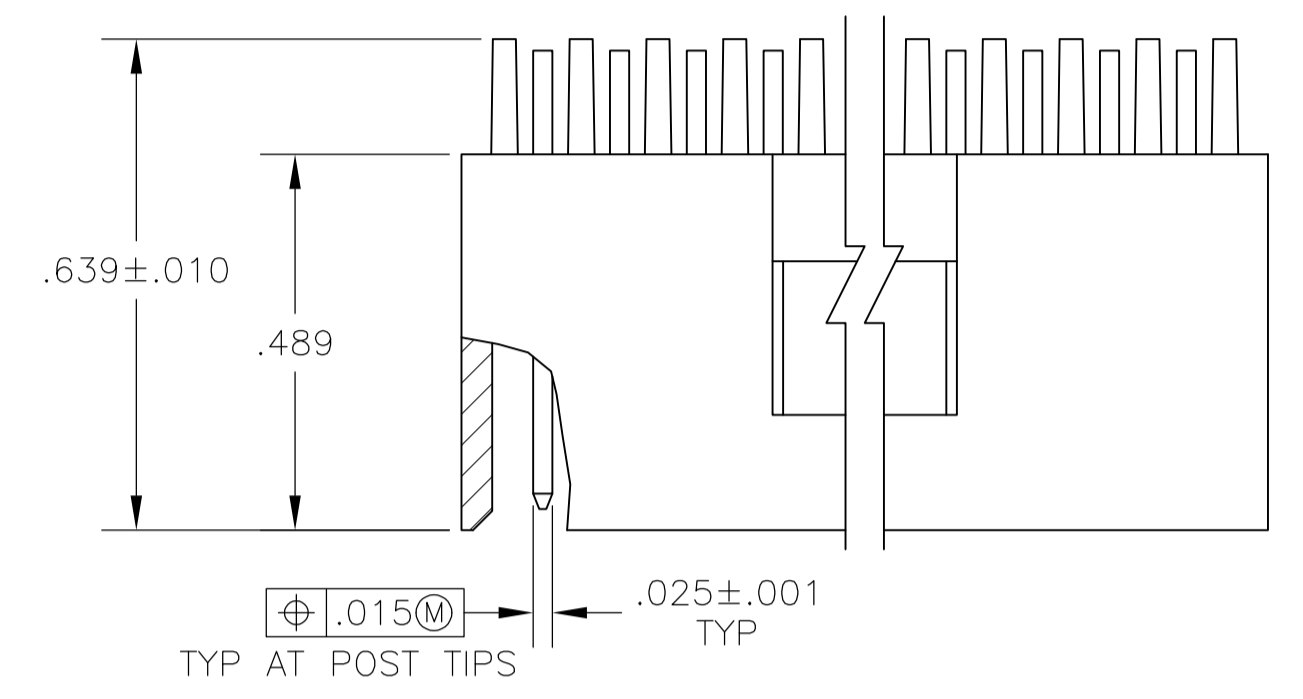


LOC	DIST	REVISIONS			
AD	00	REV	DATE	BY	APPV
		K	EC 063C 0209 05	26APR05	BSV JLG
		K1	REVISED PER ECO-09-020932	08SEP09	KK JEG



RECOMMENDED HOLE LAYOUT



SECTION X-X

- 1 POINT OF MEASUREMENT FOR PLATING THICKNESS.
- 2 THE NOTED DIMENSION APPLIES AT THE INTERSECTION OF THE POST AND HOUSING
- 3 POSTS: .000015 GOLD IN CONTACT AREA, .000100-.000200 MATTE TIN-LEAD ON SOLDER TAIL, ALL OVER .000050 NICKEL.
- 4 POSTS: .000015 GOLD IN CONTACT AREA, .000100-.000200 MATTE TIN ON SOLDER TAIL, ALL OVER .000050 NICKEL.
- 5 OBSOLETE PARTS: OBSOLETE CIS STREAMLINING PER D.RENAUD/D.SINISI

REV	DATE	BY	APPV	DESCRIPTION
1	7-102055-8			
2	7-102055-5			
3	7-102055-3			
4	6-102055-8			
5	6-102055-5			
6	6-102055-3			
7	6-102055-0			
8	5-102055-8			
9	5-102055-7			
10	5-102055-6			
11	5-102055-5			
12	5-102055-4			
13	5-102055-3			
14	5-102055-2			
15	5-102055-1			
16	5-102055-5			
17	5-102055-1			
18	5-102055-5			
19	5-102055-1			
20	5-102055-9			
21	3-102055-4			
22	3-102055-3			
23	3-102055-2			
24	3-102055-0			
25	2-102055-9			
26	2-102055-8			
27	2-102055-7			
28	2-102055-6			
29	2-102055-5			
30	2-102055-4			
31	2-102055-3			
32	2-102055-2			
33	2-102055-1			
34	2-102055-5			
35	2-102055-3			
36	2-102055-2			
37	2-102055-1			
38	2-102055-0			
39	1-102055-9			
40	1-102055-8			
41	1-102055-7			
42	1-102055-6			
43	1-102055-5			
44	1-102055-4			
45	1-102055-3			
46	1-102055-2			
47	1-102055-1			
48	1-102055-0			
49	102055-9			
50	102055-8			
51	102055-7			
52	102055-6			
53	102055-5			
54	102055-4			
55	102055-3			
56	102055-2			
57	102055-1			

SUPERCEDED BY 1-103164-1

PLATING	C	B	A	NO OF POSN	PART NUMBER

THIS DRAWING IS A CONTROLLED DOCUMENT.		DIN H MOLL 16NOV87	Tyco Electronics Corporation Harrisburg, Pa 17105-3608	
DIMENSIONS: INCHES		CHK R FEJDT 16NOV87	NAME R FLICKER 16NOV87	
TOLERANCES UNLESS OTHERWISE SPECIFIED:		PRODUCT SPEC		
0 PLC ± -		APPLICATION SPEC		
1 PLC ± -		SIZE CAGE CODE DRAWING NO		
2 PLC ± -		RESTRICTED TO		
3 PLC ± .005		A1 00779C=102055		
4 PLC ± -		CUSTOMER DRAWING		
ANGLES ± -		SCALE 4:1 SHEET 1 OF 1 REV K1		
MATERIAL: HOUSING: PLATE: REFRIGERANT: COLOR: BRONZE: POSTPHOS: BRONZE		FINISH: SEE TABLE		