

New Jersey Semi-Conductor Products, Inc.

20 STERN AVE.
 SPRINGFIELD, NEW JERSEY 07081
 U.S.A.

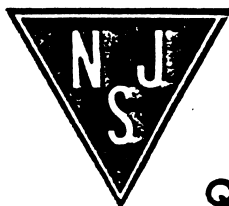
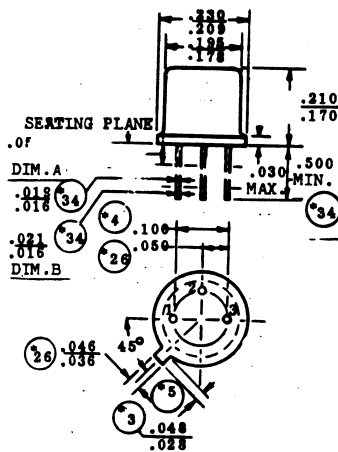
TELEPHONE: (201) 376-2922
 (212) 227-6000
 FAX: (201) 376-8966

PARAMETERS

2N3546
 SI PNP LP HF BJT

Description: Si PNP LP HF BJT

Mil/High-Rel? (Y/N).....	
Vbr CEO.....	12
Trans. Freq (Hz) Min.....	700M
hfe.....	
@VCE (test) (V).....	
@Ic (A).....	
Ic Max. (A).....	200m
C(ob) (F).....	6p
Icbo Max. @Vcb Max. (A).....	.01uW
t(on) Delay (S).....	10n
Tr Max. (s).....	15n
t(stor) Max. (S).....	20n
t(f) Max. (S).....	15n
Max. PD (W).....	360m
Derate (Amb) (W/xC).....	2.0m
Vbr CBO.....	15
Oper. Temp (xC) Max.....	175u
@ Temp (derating) test xC....	
Oper. Temp (xC) Min.....	
Pkg Style.....	T0-18
Surface Mounted (Y/N).....	N
Pinout Equivalence Number.....	3-12



Quality Semi-Conductors