

PNP Silicon Epitaxial Planar Transistor

2SB1218AW

FEATURES

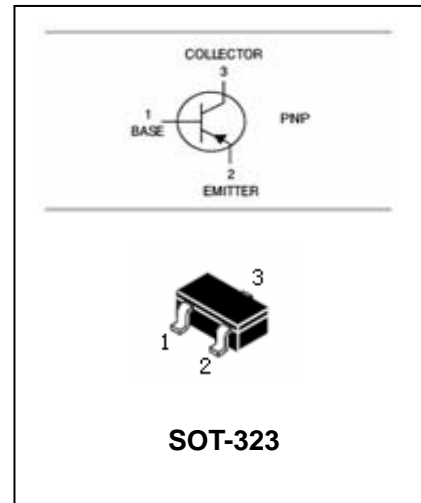
- High forward current transfer ratio h_{FE}
- Excellent H_{FE} Linearity.
- Complements the 2SD1819A.



Lead-free

APPLICATIONS

- For general purpose amplification.



ORDERING INFORMATION

Type No.	Marking	Package Code
2SB1218AW	BQ1/BR1/BS1	SOT-323

MAXIMUM RATING @ $T_a=25^{\circ}\text{C}$ unless otherwise specified

Symbol	Parameter	Value	Units
V_{CBO}	Collector-Base Voltage	-45	V
V_{CEO}	Collector-Emitter Voltage	-45	V
V_{EBO}	Emitter-Base Voltage	-7	V
I_C	Collector Current -Continuous	-200	mA
P_C	Collector Dissipation	150	mW
T_j, T_{stg}	Junction and Storage Temperature	-55~150	$^{\circ}\text{C}$

PNP Silicon Epitaxial Planar Transistor

2SB1218AW

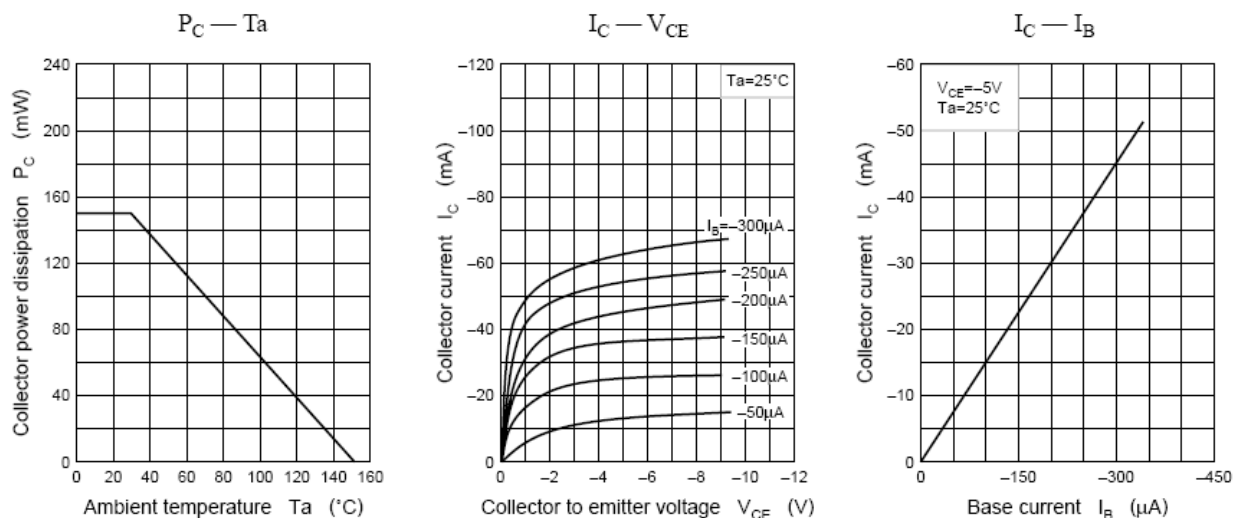
ELECTRICAL CHARACTERISTICS @ Ta=25°C unless otherwise specified

Parameter	Symbol	Test conditions	MIN	TYP	MAX	UNIT
Collector-base breakdown voltage	$V_{(BR)CBO}$	$I_C = -10\mu A, I_E = 0$	-45			V
Collector-emitter breakdown voltage	$V_{(BR)CEO}$	$I_C = -2mA, I_B = 0$	-45			V
Emitter-base breakdown voltage	$V_{(BR)EBO}$	$I_E = -10\mu A, I_C = 0$	-7			V
Collector cut-off current	I_{CBO}	$V_{CB} = -20V, I_E = 0$			-0.1	μA
Collector cut-off current	I_{CEO}	$V_{CB} = -10V, I_B = 0$			-100	μA
DC current gain	h_{FE}	$V_{CE} = -10V, I_C = -2mA$	160		460	
Collector-emitter saturation voltage	$V_{CE(sat)}$	$I_C = -100mA, I_B = -10mA$		-0.3	-0.5	V
Transition frequency	f_T	$V_{CB} = -10V, I_E = 1mA$ $f = 200MHz$		80		MHz
Collector output capacitance	C_{ob}	$V_{CB} = -10V, I_E = 0, f = 1MHz$		2.7		pF

CLASSIFICATION OF h_{FE}

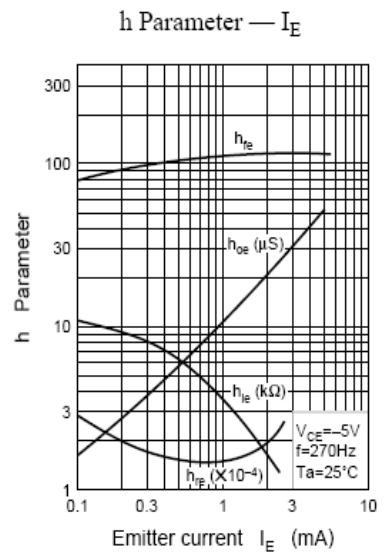
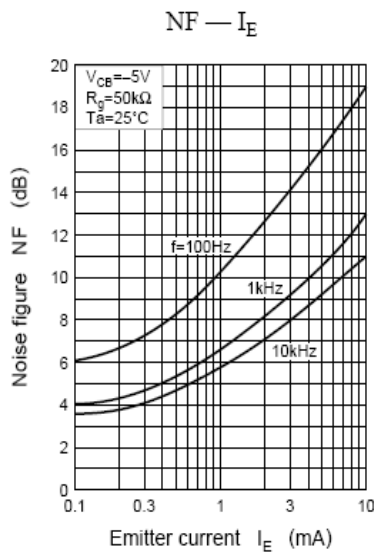
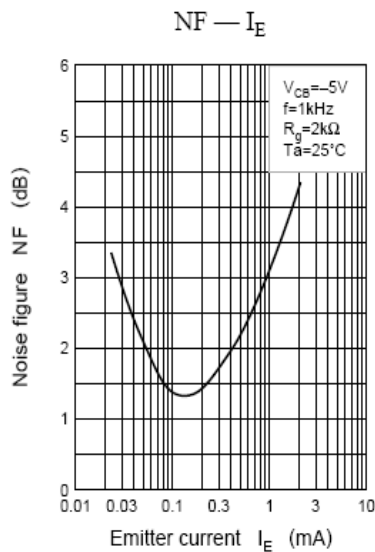
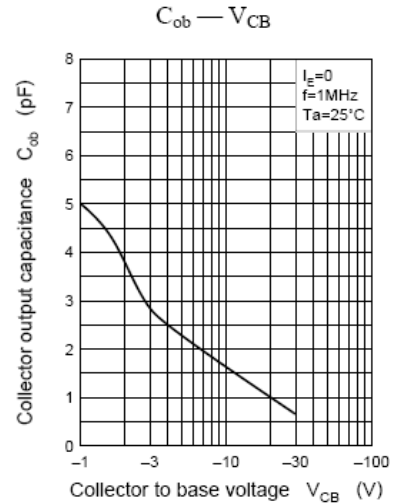
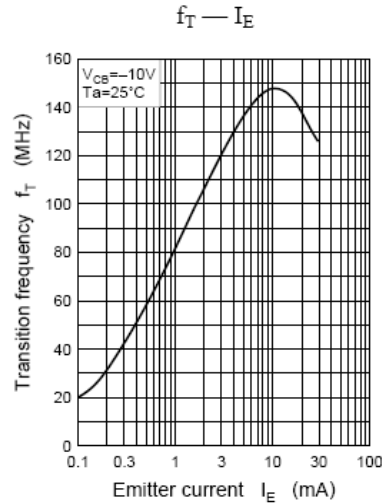
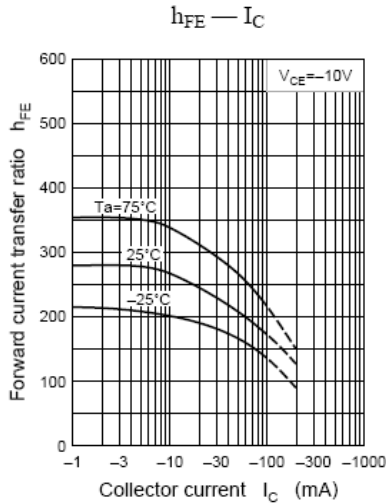
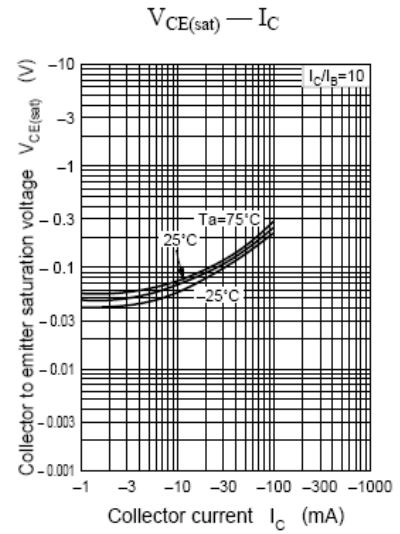
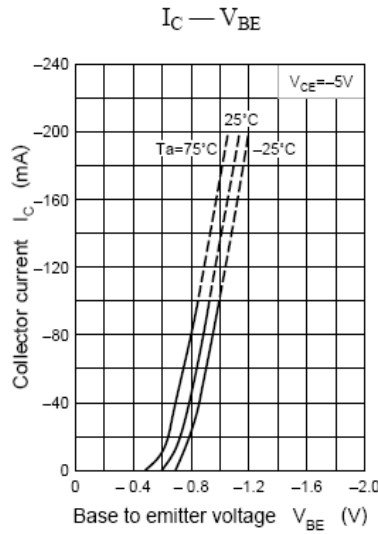
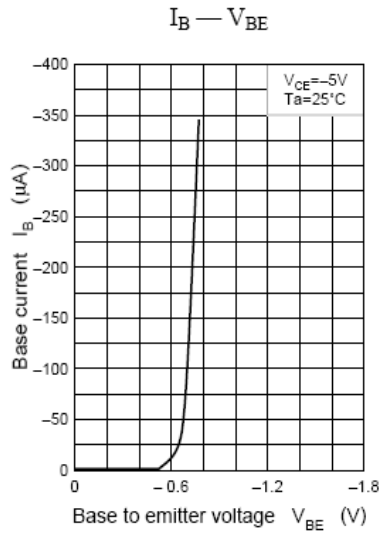
Rank	Q	R	S
Range	160-260	210-340	290-460
marking	BQ	BR	BS

TYPICAL CHARACTERISTICS @ Ta=25°C unless otherwise specified



PNP Silicon Epitaxial Planar Transistor

2SB1218AW



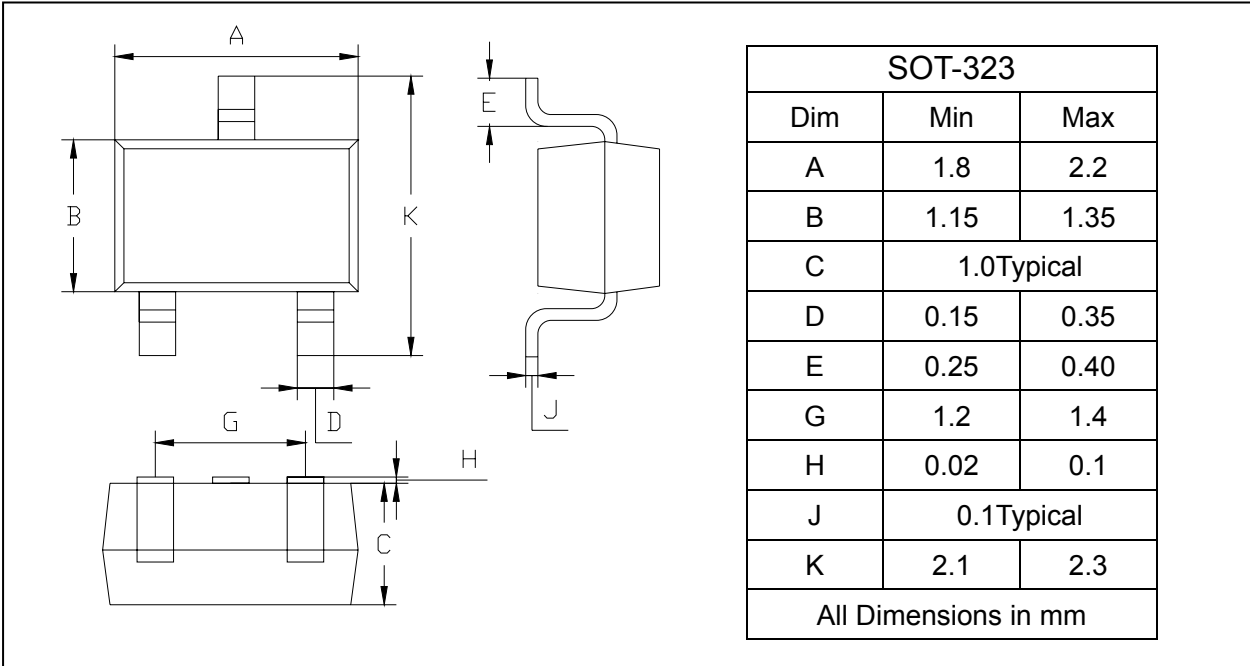
PNP Silicon Epitaxial Planar Transistor

2SB1218AW

PACKAGE OUTLINE

Plastic surface mounted package

SOT-323



PACKAGE INFORMATION

Device	Package	Shipping
2SB1218AW	SOT-323	3000/Tape&Reel