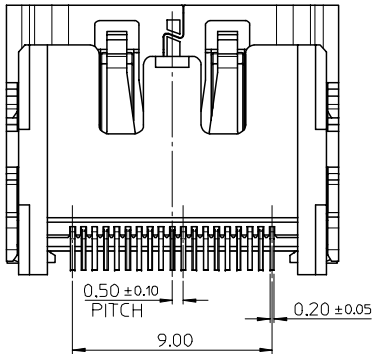
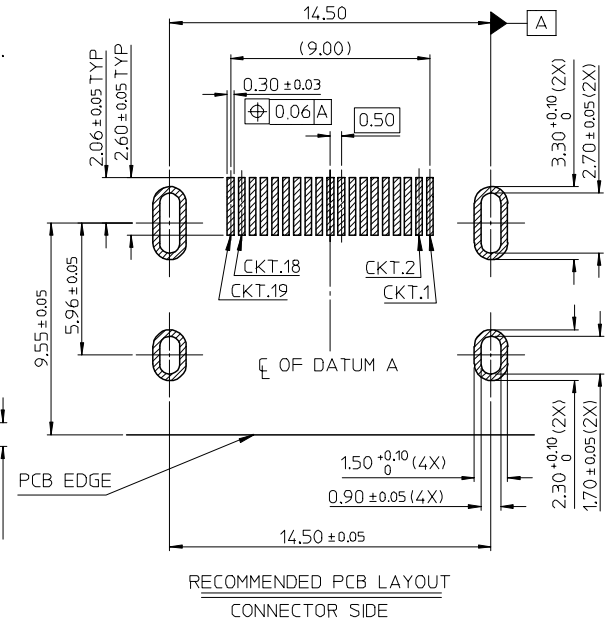
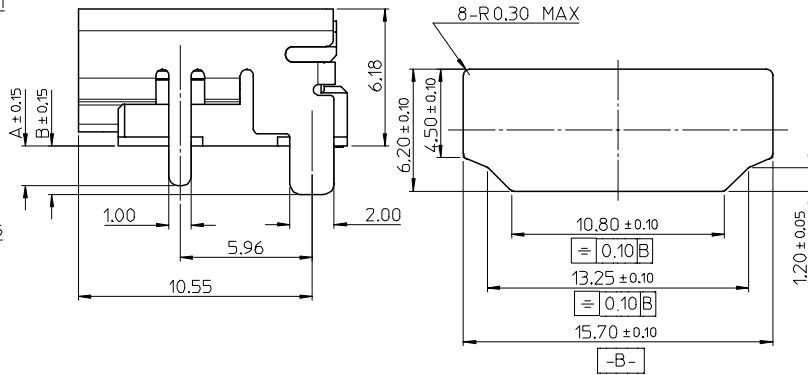
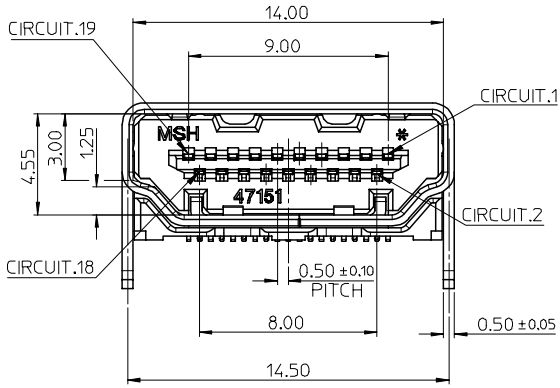
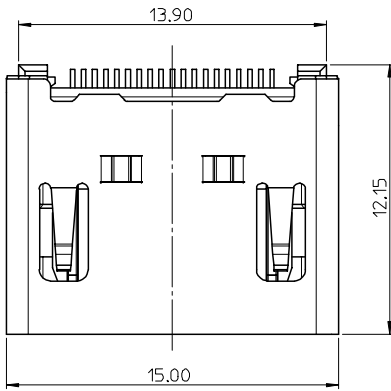
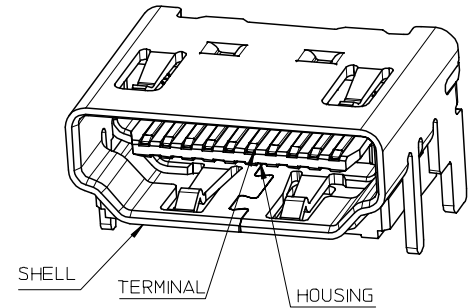


10 9 8 7 6 5 4 3 2 1

NOTES:

- MATERIAL:
 - HOUSING: HIGH TEMPERATURE THERMAL PLASTIC. COLOR: SEE TABLE.
 - SHELL: COPPER ALLOY.
 - TERMINAL: COPPER ALLOY.
- PLATING:
 - TERMINAL:
 - CONTACT AREA: (1) 0.76 MICROMETER MIN. GOLD PLATING.
 - (2) 0.25 MICROMETER MIN. GOLD PLATING.
 - (3) GOLD FLASH.
 - (4) 0.375 MICROMETER MIN. GOLD PLATING.
 - SOLDER AREA: 1 MICROMETER MIN. TIN-BISMUTH ALLOY PLATED.
 - UNDER PLATE: 1.27 MICROMETER MIN. NICKEL.
 - SHELL: (a) 1.27 MICROMETER MIN. SOLDERABLE NICKEL PLATE OVERALL.
 - (b) GOLD FLASH PLATING OVER 1.27 MICROMETER MIN. NICKEL PLATING OVERALL.
- COPLANARITY IS 0.1MM MAX.
- PRODUCT SPECIFICATION REFER TO PS-47152-001.
- PACKAGE SPECIFICATION FOR WITHOUT FLANGE REFER TO PK-47151-001.



RECOMMENDED PANEL CUT OUT DIMENSION

REVISED EC NO: SH2007-0873 DRWN: BCHENZ6 CHKD: JTIAN APPR: JNCHEH	DESCRIPTION 2007/06/08 2007/06/08 2007/06/22	QUALITY SYMBOLS	GENERAL TOLERANCES (UNLESS SPECIFIED)	DIMENSION STYLE	SCALE	DESIGN UNITS	THIRD ANGLE PROJECTION	
		▽=0	mm INCH	MM ONLY	5:1	METRIC	⊙ □	
		∇=0	4 PLACES ± --- ± ---	DRAWN BY DATE	TITLE 1.0 HDMI RIGHT ANGLE HEADER ASSEMBLY(19 PIN) LEAD FREE			
			3 PLACES ± --- ± ---	RZHANG 2004/07/20				
	2 PLACES ± 0.25 ± ---	CHECKED BY DATE	MOLEX INCORPORATED					
	1 PLACE ± --- ± ---	GRMA 2004/07/20						
	ANGULAR ± 3 °	APPROVED BY DATE	DOCUMENT NO. SHEET NO.					
		YTYAP 2004/07/20					SD-47151-001	
		MATERIAL NO.	THIS DRAWING CONTAINS INFORMATION THAT IS PROPRIETARY TO MOLEX INCORPORATED AND SHOULD NOT BE USED WITHOUT WRITTEN PERMISSION					
		SEE SHEET 6						

9 8 7 6 5 4 3 2 1

10 9 8 7 6 5 4 3 2 1

F

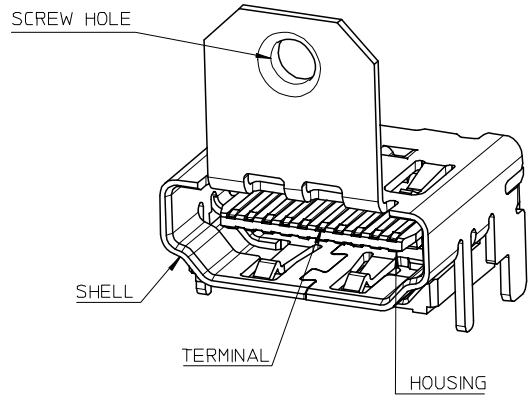
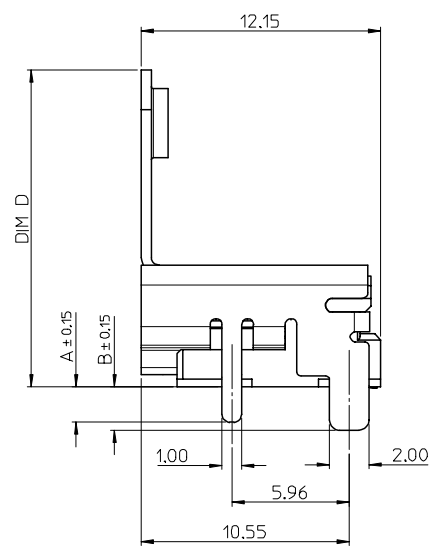
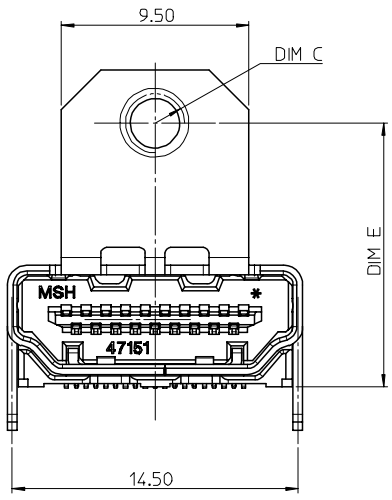
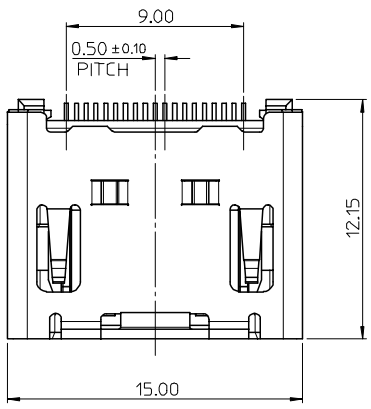
E

D

C

B

A



NOTES:
 1. THE UNSPECIFIED DIMENSIONS REFER TO SHEET 1.
 2. PACKAGE SPECIFICATION FOR WITH FLANGE REFER TO PK-47151-002.

REVISED	DESCRIPTION
EC NO: SH2007-0873	2007/06/08
DRWN: BCHENZ6	2007/06/08
CHKD: JTIAN	2007/06/08
APPR: JNCHEN	2007/06/22

QUALITY SYMBOLS	DESCRIPTION
▽=0	
△=0	

GENERAL TOLERANCES (UNLESS SPECIFIED)	
	mm INCH
4 PLACES	± --- ± ---
3 PLACES	± --- ± ---
2 PLACES	± 0.25 ± ---
1 PLACE	± --- ± ---
ANGULAR ± 3 °	
DRAFT WHERE APPLICABLE MUST REMAIN WITHIN DIMENSIONS	

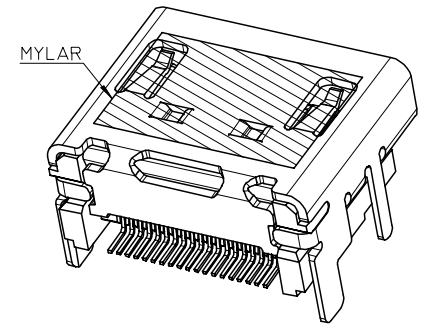
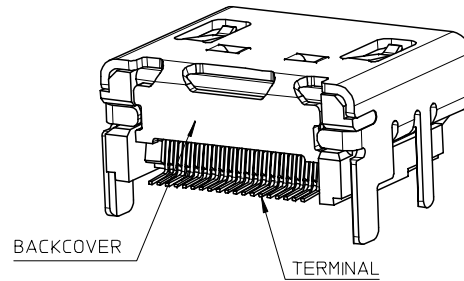
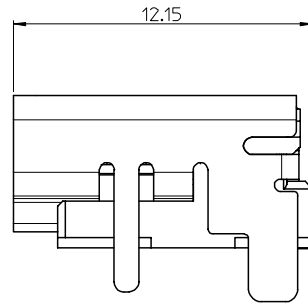
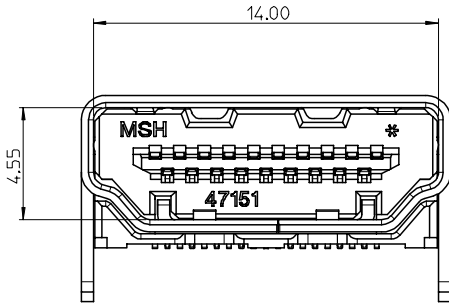
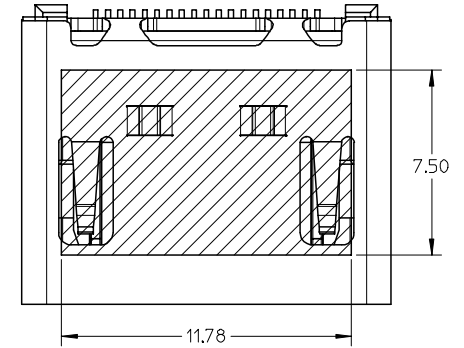
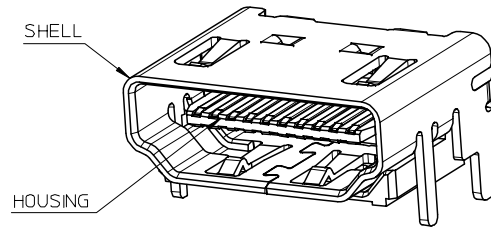
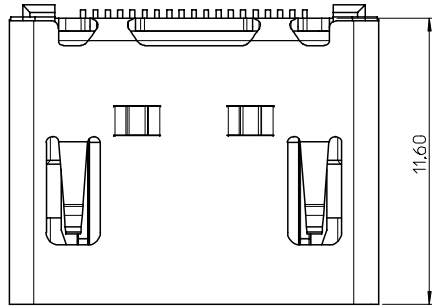
DIMENSION STYLE	
MM ONLY	
DRAWN BY	DATE
RZHANG	2004/07/20
CHECKED BY	DATE
GRMA	2004/07/20
APPROVED BY	DATE
YTYAP	2004/07/20
MATERIAL NO.	
SEE SHEET 6	

SCALE	DESIGN UNITS	THIRD ANGLE PROJECTION
5:1	METRIC	
TITLE		
1.0 HDMI RIGHT ANGLE HEADER ASSEMBLY(19 PIN) LEAD FREE		
MOLEX INCORPORATED		SHEET NO.
DOCUMENT NO. SD-47151-001		2 OF 7
THIS DRAWING CONTAINS INFORMATION THAT IS PROPRIETARY TO MOLEX INCORPORATED AND SHOULD NOT BE USED WITHOUT WRITTEN PERMISSION		

9 8 7 6 5 4 3 2 1

10 9 8 7 6 5 4 3 2 1

WITH BACK COVER



THIS IS ONLY FOR 47151-1061/1071/1081

NOTES:

1. THE UNSPECIFIED DIMENSIONS REFER TO 47151-0001.
2. PACKAGE SPECIFICATION FOR WITHOUT FLANGE REFER TO PK-47151-001.

REVISED	DESCRIPTION
EC NO: SH2007-0873	2007/06/08
DRWN: BCHENZ6	2007/06/08
CHKD: JTIAN	2007/06/08
APPR: JNCHEH	2007/06/22

QUALITY SYMBOLS	DESCRIPTION
▽=0	
∇=0	

GENERAL TOLERANCES (UNLESS SPECIFIED)	
	MM ONLY
4 PLACES	± --- ± ---
3 PLACES	± --- ± ---
2 PLACES	± 0.25 ± ---
1 PLACE	± --- ± ---
ANGULAR ± 3 °	
DRAFT WHERE APPLICABLE MUST REMAIN WITHIN DIMENSIONS	

DIMENSION STYLE	
MM ONLY	
DRAWN BY	DATE
RZHANG	2004/07/20
CHECKED BY	DATE
GRMA	2004/07/20
APPROVED BY	DATE
YTYAP	2004/07/20
MATERIAL NO.	
SEE SHEET 6	

SCALE	DESIGN UNITS	THIRD ANGLE PROJECTION
5:1	METRIC	
TITLE		
1.0 HDMI RIGHT ANGLE HEADER ASSEMBLY(19 PIN) LEAD FREE		
MOLEX INCORPORATED		
MATERIAL NO.	DOCUMENT NO.	SHEET NO.
SEE SHEET 6	SD-47151-001	3 OF 7
THIS DRAWING CONTAINS INFORMATION THAT IS PROPRIETARY TO MOLEX INCORPORATED AND SHOULD NOT BE USED WITHOUT WRITTEN PERMISSION		

9 8 7 6 5 4 3 2 1

10 9 8 7 6 5 4 3 2 1

F

E

D

C

B

A

F

E

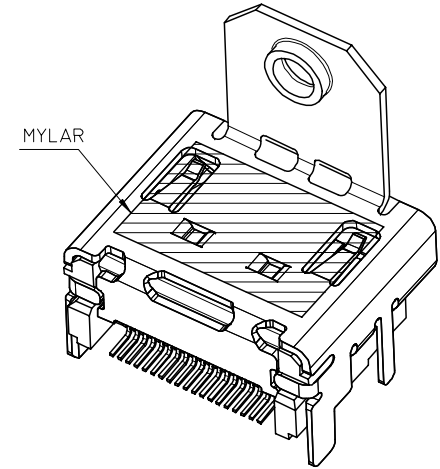
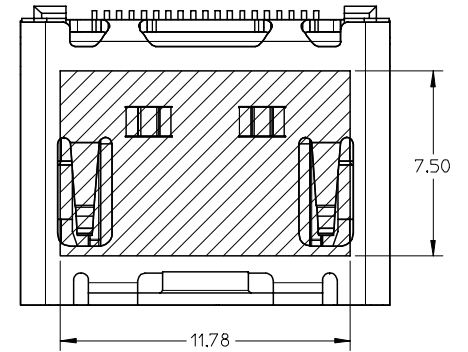
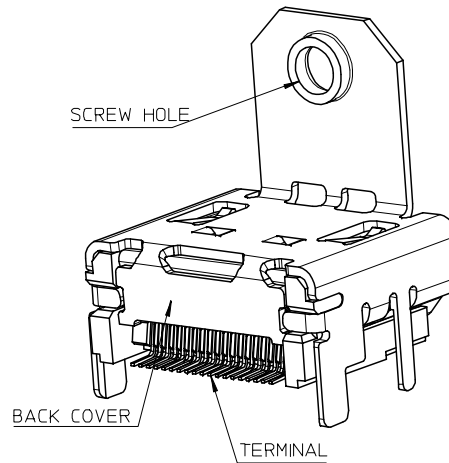
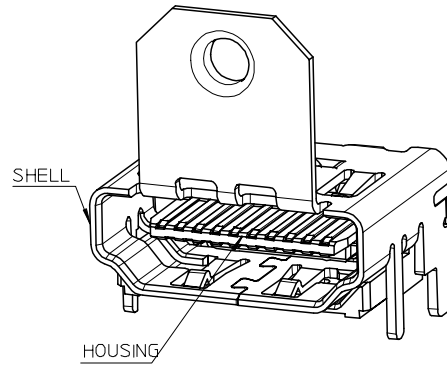
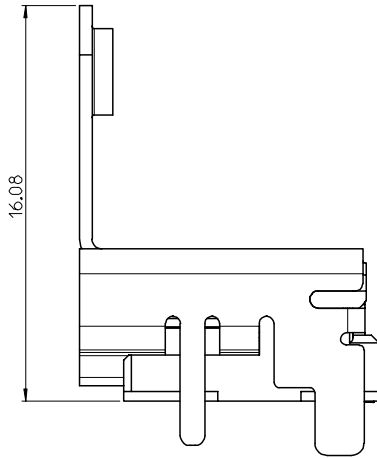
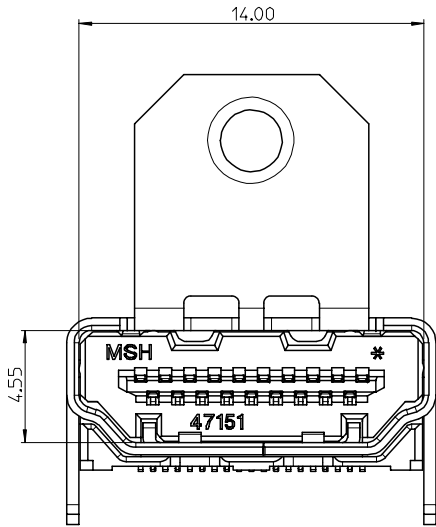
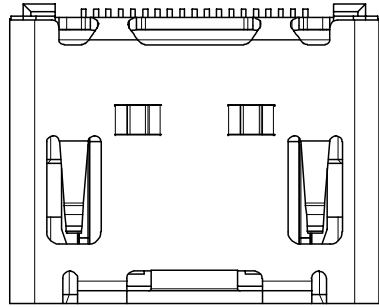
D

C

B

A

WITH BACK COVER



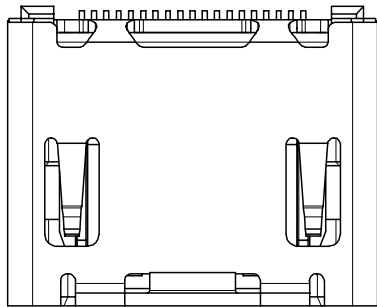
THIS IS ONLY FOR 47151-1025

- NOTES:
1. THE UNSPECIFIED DIMENSIONS REFER TO 47151-0002.
 2. PACKAGE SPECIFICATION FOR WITH FLANGE REFER TO PK-47151-002.

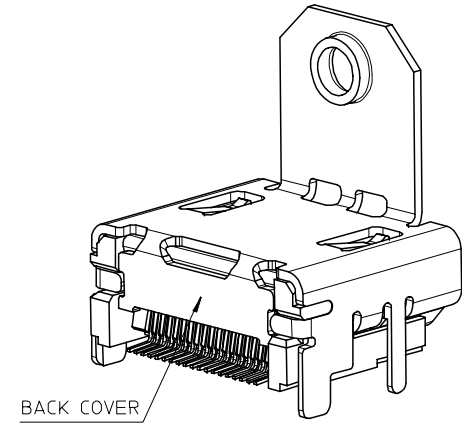
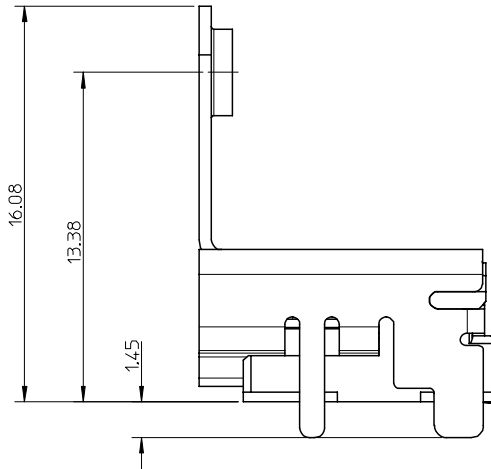
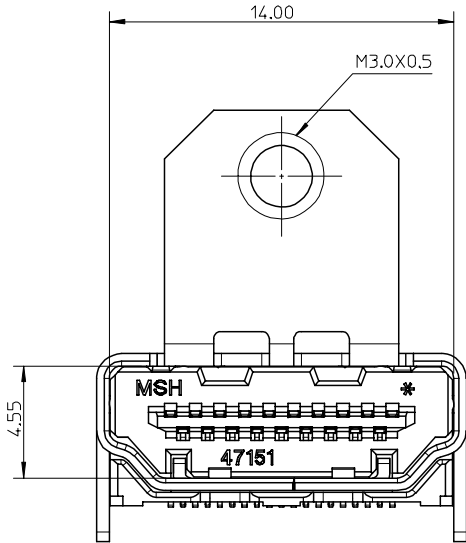
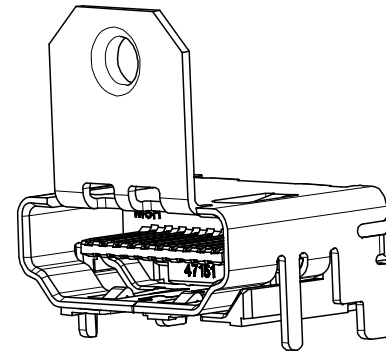
REVISED EC NO: SH2007-0873 DRWN: BCHENZ6 CHKD: JTIAN APPR: JNCHEN	2007/06/08 2007/06/08 2007/06/08 2007/06/22	DESCRIPTION REV	QUALITY SYMBOLS	GENERAL TOLERANCES (UNLESS SPECIFIED)	DIMENSION STYLE	SCALE	DESIGN UNITS	THIRD ANGLE PROJECTION
			$\nabla=0$ $\sphericalangle=0$	mm INCH 4 PLACES ± --- ± --- 3 PLACES ± --- ± --- 2 PLACES ± 0.25 ± --- 1 PLACE ± --- ± --- ANGULAR ± 3 °	MM ONLY	5:1	METRIC	
			DRAFT WHERE APPLICABLE MUST REMAIN WITHIN DIMENSIONS	DRAWN BY: RZHANG CHECKED BY: GRMA APPROVED BY: YTYAP DATE: 2004/07/20 DATE: 2004/07/20 DATE: 2004/07/20	TITLE	1.0 HDMI RIGHT ANGLE HEADER ASSEMBLY(19 PIN) LEAD FREE		
			SEE SHEET 7	MATERIAL NO. DOCUMENT NO. SD-47151-001 SHEET NO. 4 OF 7	MOLEX INCORPORATED			

9 8 7 6 5 4 3 2 1

10 9 8 7 6 5 4 3 2 1



WITHOUT TOP HOLE



NOTES:
1. THE UNSPECIFIED DIMENSIONS REFER TO 47151-1102.

REVISED	DESCRIPTION
EC NO: SH2007-0873	2007/06/08
DRWN: BCHENZ6	2007/06/08
CHKD: JTIAN	2007/06/08
APPR: JNCHEN	2007/06/22

QUALITY SYMBOLS	DESCRIPTION
▽=0	
∇=0	

GENERAL TOLERANCES (UNLESS SPECIFIED)	
mm	INCH
4 PLACES ± ---	± ---
3 PLACES ± ---	± ---
2 PLACES ± 0.25	± ---
1 PLACE ± ---	± ---
ANGULAR ± 3 °	
DRAFT WHERE APPLICABLE MUST REMAIN WITHIN DIMENSIONS	

DIMENSION STYLE	
MM ONLY	
DRAWN BY	DATE
RZHANG	2004/07/20
CHECKED BY	DATE
GRMA	2004/07/20
APPROVED BY	DATE
YTYAP	2004/07/20
MATERIAL NO.	
SEE SHEET 7	

SCALE	DESIGN UNITS	THIRD ANGLE PROJECTION
5:1	METRIC	
TITLE		
1.0 HDMI RIGHT ANGLE HEADER ASSEMBLY(19 PIN) LEAD FREE		
MOLEX INCORPORATED		
DOCUMENT NO.	SHEET NO.	
SD-47151-001	5 OF 7	
THIS DRAWING CONTAINS INFORMATION THAT IS PROPRIETARY TO MOLEX INCORPORATED AND SHOULD NOT BE USED WITHOUT WRITTEN PERMISSION		

9 8 7 6 5 4 3 2 1

ASSEMBLY NO.	DIMENSION					FEATURE				HOUSING COLOR	GOLD PLATING IN CONTACT AREA	SHELL PLATING	REMARK
	DIM A	DIM B	DIM C	DIM D	DIM E	FANGE	BACK COVER	TOP HOLES	MYLAR				
47151-0001	1.80	2.20	/	/	/	W/O	W/O		W/O	BLACK	SEE NOTE 2 (1)	SEE NOTE 2 (a)	FOR SHEET 1
47151-0051										BLACK	SEE NOTE 2 (3)		
47151-0011										NATURE	SEE NOTE 2 (1)		
47151-0021										BLACK			
47151-0031										NATURE	SEE NOTE 2 (b)		
47151-0101										BLACK	SEE NOTE 2 (a)		
47151-0151	BLACK	SEE NOTE 2 (3)											
47151-0111	1.45	1.45	/	/	/			W/O	NATURE	SEE NOTE 2 (1)	SEE NOTE 2 (b)		
47151-0121									BLACK				
47151-0131									NATURE	SEE NOTE 2 (1)			
47151-0002									BLACK				
47151-0012									NATURE	SEE NOTE 2 (a)			
47151-0022									BLACK	SEE NOTE 2 (b)			
47151-0032	NATURE	SEE NOTE 2 (1)											
47151-0102	BLACK		SEE NOTE 2 (a)										
47151-0112	NATURE	SEE NOTE 2 (b)											
47151-0122	BLACK	SEE NOTE 2 (a)											
47151-0132	NATURE	SEE NOTE 2 (1)											
47151-6002	BLACK		SEE NOTE 2 (a)										
47151-6102	BLACK	SEE NOTE 2 (1)											
47151-1001	WITH		SEE NOTE 2 (2)										
47151-1061	W/O			SEE NOTE 2 (3)									
47151-1041	WITH				SEE NOTE 2 (1)								
47151-1071	W/O					SEE NOTE 2 (b)							
47151-1051	WITH						SEE NOTE 2 (a)						
47151-1081	NATURE	SEE NOTE 2 (b)											
47151-1011	BLACK		SEE NOTE 2 (2)										
47151-1021	NATURE			SEE NOTE 2 (3)									
47151-1031	BLACK				SEE NOTE 2 (1)								
47151-1101	NATURE					SEE NOTE 2 (a)							
47151-1141	BLACK						SEE NOTE 2 (b)						
47151-1151	BLACK	SEE NOTE 2 (1)											
47151-1111	NATURE		SEE NOTE 2 (b)										
47151-1121	BLACK			SEE NOTE 2 (1)									
47151-1131	NATURE												



REVISED EC NO: SH2007-0873 DRWN: BCHENZ6 CHKD: JTIAN APPR: JNCHEN	2007/06/08 2007/06/08 2007/06/22	QUALITY SYMBOLS 	GENERAL TOLERANCES (UNLESS SPECIFIED)		DIMENSION STYLE MM ONLY		SCALE 1:1	DESIGN UNITS METRIC	THIRD ANGLE PROJECTION			
					mm	INCH	DRAWN BY RZHANG	DATE 2004/07/20	TITLE 1.0 HDMI RIGHT ANGLE HEADER ASSEMBLY(19 PIN) LEAD FREE			
			4 PLACES	± ---	± ---		CHECKED BY GRMA	DATE 2004/07/20				
			3 PLACES	± ---	± ---		APPROVED BY YTYAP	DATE 2004/07/20	MOLEX INCORPORATED		SHEET NO. 6 OF 7	
2 PLACES	± 0.25	± ---		MATERIAL NO.		DOCUMENT NO. SD-47151-001						
1 PLACE	± ---	± ---		DRAFT WHERE APPLICABLE MUST REMAIN WITHIN DIMENSIONS		SEE TABLE						
		ANGULAR ± 3 °		SIZE A3		THIS DRAWING CONTAINS INFORMATION THAT IS PROPRIETARY TO MOLEX INCORPORATED AND SHOULD NOT BE USED WITHOUT WRITTEN PERMISSION						

ASSEMBLY NO.	DIMENSION					FEATURE				HOUSING COLOR	GOLD PLATING IN CONTACT AREA	SHELL PLATING	REMARK
	DM A	DM B	DM C	DM D	DM E	FLANGE	BACK COVER	TOP HOLES	MYLAR				
47151-1002	1.80	2.20	M3.0X0.5	16.08	13.38	WITH	WITH	WITH	W/O	BLACK	SEE NOTE 2 (1)	SEE NOTE 2 (a)	FOR SHEET 4
47151-1042										BLACK	SEE NOTE 2 (2)		
47151-1052										BLACK	SEE NOTE 2 (3)		
47151-1062										BLACK	SEE NOTE 2 (4)		
47151-1012										NATURE	SEE NOTE 2 (1)	SEE NOTE 2 (b)	
47151-1022	BLACK												
47151-1032	NATURE	SEE NOTE 2 (2)	SEE NOTE 2 (a)										
47151-1102	BLACK												
47151-1142	1.45	1.45	M3.0X0.5	16.08	13.38	WITH	WITH	WITH	W/O	BLACK	SEE NOTE 2 (2)	SEE NOTE 2 (a)	
47151-1152										BALCK	SEE NOTE 2 (3)		
47151-1112										NATURE	SEE NOTE 2 (1)	SEE NOTE 2 (b)	
47151-1122										BLACK			
47151-1132										NATURE			
47151-1005	1.80	2.20	4-40	16.08	13.38	WITH	WITH	WITH	W/O	NATURE	SEE NOTE 2 (a)		
47151-1015										BLACK			
47151-1025	1.80	2.20	M3.0X0.5	14.25	11.28	WITH	WITH	WITH	W/O	BLACK	SEE NOTE 2 (2)	SEE NOTE 2 (a)	
47151-6012										BLACK			
47151-6042										BLACK			
47151-6052										BLACK			
47151-6112										BLACK			
47151-6142	1.45	1.45	M3.0X0.5	14.25	11.28	WITH	WITH	WITH	W/O	BLACK	SEE NOTE 2 (1)	SEE NOTE 2 (a)	
47151-6152										BLACK	SEE NOTE 2 (2)		
47151-7102	/	/	/	/	/	WITH	WITH	W/O		BLACK	SEE NOTE 2 (1)	SEE NOTE 2 (a)	FOR SHEET 5



REVISED EC NO: SH2007-0873 DRWN: B.CHENZ6 CHKD: JTIAN APPR: JNCHEN	2007/06/08 2007/06/08 2007/06/22	QUALITY SYMBOLS =0 =0	GENERAL TOLERANCES (UNLESS SPECIFIED)		DIMENSION STYLE MM ONLY		SCALE 1:1	DESIGN UNITS METRIC	THIRD ANGLE PROJECTION			
				mm	INCH	DRAWN BY RZHANG	DATE 2004/07/20	TITLE 1.0 HDMI RIGHT ANGLE HEADER ASSEMBLY(19 PIN) LEAD FREE				
			4 PLACES	± ---	± ---	CHECKED BY GRMA	DATE 2004/07/20					
			3 PLACES	± ---	± ---	APPROVED BY YTYAP	DATE 2004/07/20	MATERIAL NO. SEE TABLE				
			2 PLACES	± 0.25	± ---	MATERIAL NO. SEE TABLE						
1 PLACE	± ---	± ---	DRAFT WHERE APPLICABLE MUST REMAIN WITHIN DIMENSIONS		THIS DRAWING CONTAINS INFORMATION THAT IS PROPRIETARY TO MOLEX INCORPORATED AND SHOULD NOT BE USED WITHOUT WRITTEN PERMISSION							