

PLEASE CHECK WWW.MOLEX.COM FOR LATEST PART INFORMATION

Part Number: [0885237306](#)
Status: **Active**
Overview: [fiber optic product families](#)
Description: MT-RJ(F)-to-SC, Multimode, 62.5/125µm, Duplex, 1.60mm (.063"), Standard Fiber Optic Cable Assembly, 10.0m (32.81')

Documents:

[Drawing \(PDF\)](#) [RoHS Certificate of Compliance \(PDF\)](#)

General

Product Family	Fiber Optic Assemblies
Series	88523
Connector to Connector	MT-RJ-to-SC
Mode	Multimode
Overview	fiber optic product families
Product Name	MT-RJ, SC

Physical

Cable Length	10.0m (32.81')
Cable Size	1.60mm (.063")
Fiber (Core/Cladding)	62.5/125µm
Single Ended	No
Wire/Cable Type	Duplex

Material Info

Old Part Number	862952909
-----------------	-----------

Reference - Drawing Numbers

Sales Drawing	SD-88523-078
---------------	--------------

EU RoHS

**ELV and RoHS
Compliant**
**REACH SVHC
Not Reviewed**
**Halogen-Free
Status**
Not Reviewed

China RoHS



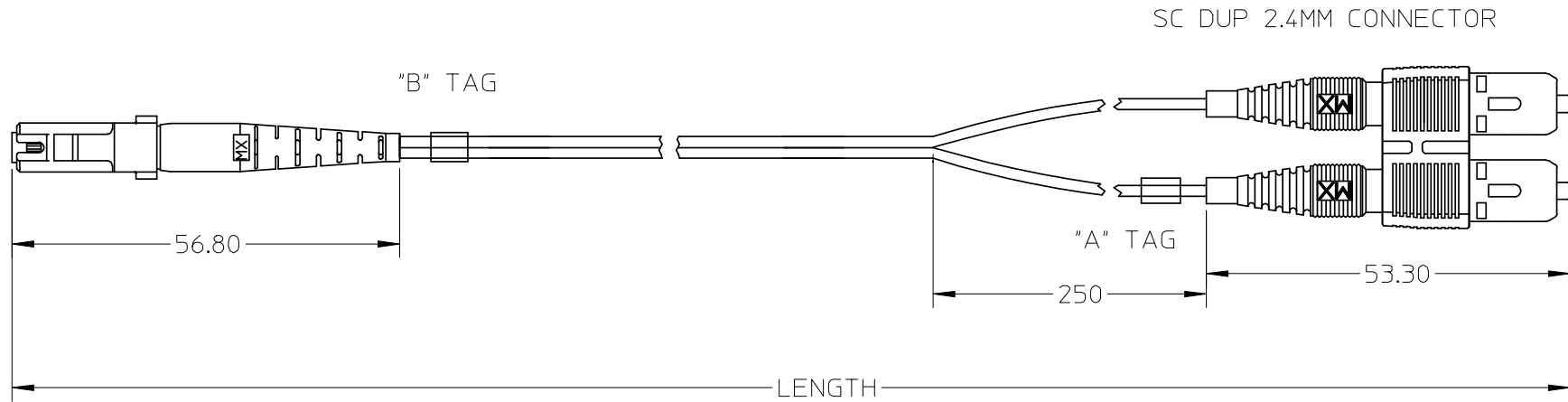
Need more information on product environmental compliance?

Email productcompliance@molex.com
 For a multiple part number RoHS Certificate of Compliance, [click here](#)

Please visit the [Contact Us](#) section for any non-product compliance questions.

Search Parts in this Series

[88523Series](#)



885237323	MTRJ(F)-SC DUP MM 62.5/125 1.6MM 200M	200000(+1000/-0)
885237322	MTRJ(F)-SC DUP MM 62.5/125 1.6MM 80M	80000(+1000/-0)
885237321	MTRJ(F)-SC DUP MM 62.5/125 1.6MM 60M	60000(+1000/-0)
885237320	MTRJ(F)-SC DUP MM 62.5/125 1.6MM 40M	40000(+500/-0)
885237319	MTRJ(F)-SC DUP MM 62.5/125 1.6MM 20M	20000(+200/-0)
885237306	MTRJ(F)-SC DUP MM 62.5/125 1.6MM 10M	10000(+200/-0)
885237305	MTRJ(F)-SC DUP MM 62.5/125 1.6MM 15M	15000(+200/-0)
885237304	MTRJ(F)-SC DUP MM 62.5/125 1.6MM 5M	5000(+200/-0)
885237303	MTRJ(F)-SC DUP MM 62.5/125 1.6MM 4M	4000(+200/-0)
885237302	MTRJ(F)-SC DUP MM 62.5/125 1.6MM 3M	3000(+200/-0)
885237301	MTRJ(F)-SC DUP MM 62.5/125 1.6MM 2M	2000(+200/-0)
885237300	MTRJ(F)-SC DUP MM 62.5/125 1.6MM 1M	1000(+100/-0)
MX P/N	DESCRIPTION	LENGTH

NOTES:

- DUST CAPS ARE NOT SHOWN
- PER CHANNEL @ 850nm
MTRJ:
IL<=0.7dB (IF L<30M)
IL<=0.7+0.003 X L dB (IF L>=30M)
SC:
IL<=0.5dB (IF L<30dB)
IL<=0.5+0.003 X L dB (IF L>=30M)

ENTER DESCRIPTION EC NO: DG2008-0161 DRWN:XPCHEN CHKD: APPR: JOWANG 2008/07/15 2008/07/15 2008/07/18	QUALITY SYMBOLS 	GENERAL TOLERANCES (UNLESS SPECIFIED)		DIMENSION STYLE MM ONLY		SCALE ---	DESIGN UNITS METRIC	THIRD ANGLE PROJECTION		
		4 PLACES ± ---	mm	INCH	DRAWN BY XP	DATE 2008/06/23	TITLE MTRJ(F)-SC DUP MM 62.5/125 1.6MM			
		3 PLACES ± ---			CHECKED BY LISA	DATE 2008/06/23				
		2 PLACES ± ---			APPROVED BY JOHNNY	DATE 2008/06/23	MOLEX INCORPORATED			
1 PLACE ± ---			MATERIAL NO. SEE TABLE		DOCUMENT NO. SD-88523-078	SHEET NO. 1 OF 1				
DRAFT WHERE APPLICABLE MUST REMAIN WITHIN DIMENSIONS				SIZE A 4		THIS DRAWING CONTAINS INFORMATION THAT IS PROPRIETARY TO MOLEX INCORPORATED AND SHOULD NOT BE USED WITHOUT WRITTEN PERMISSION				