

F

E

D

C

B

A

F

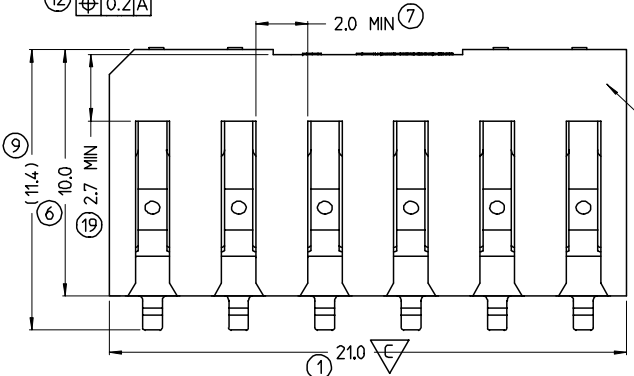
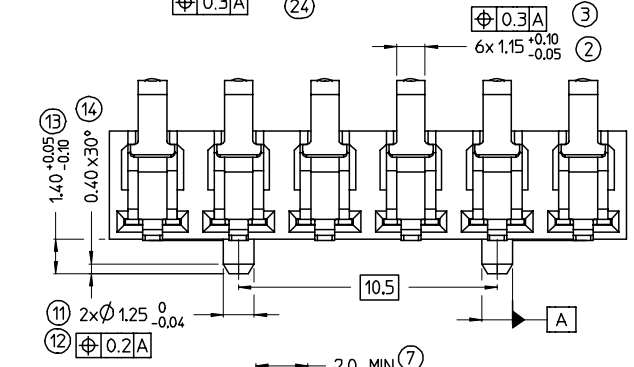
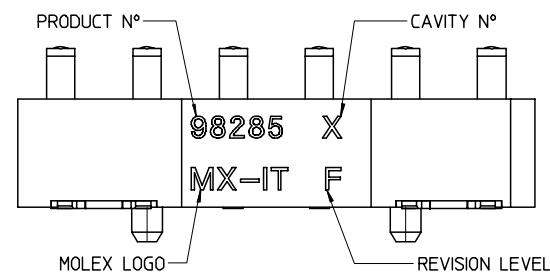
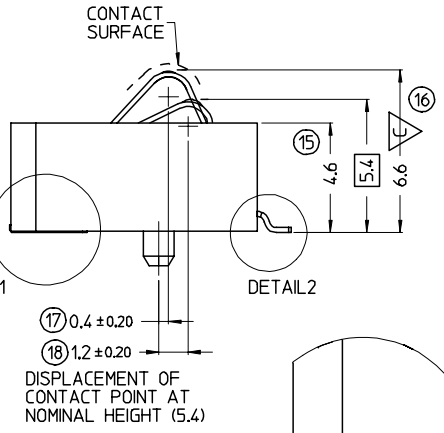
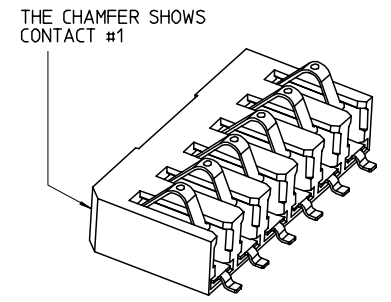
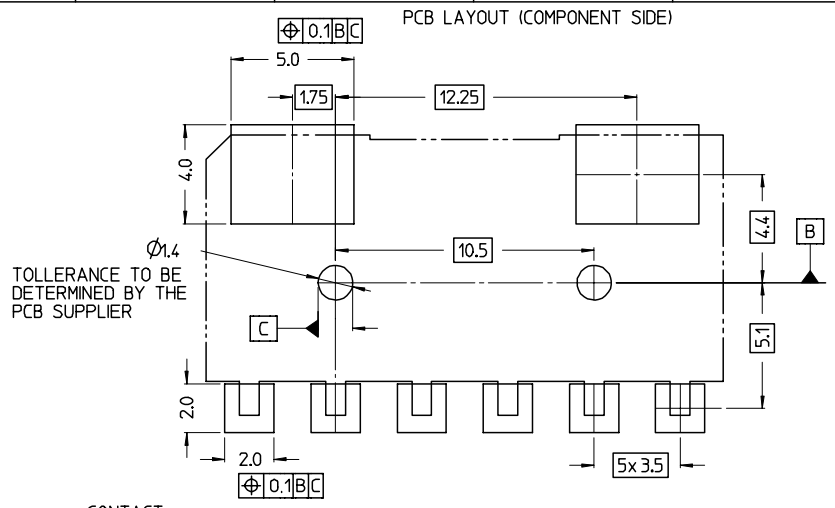
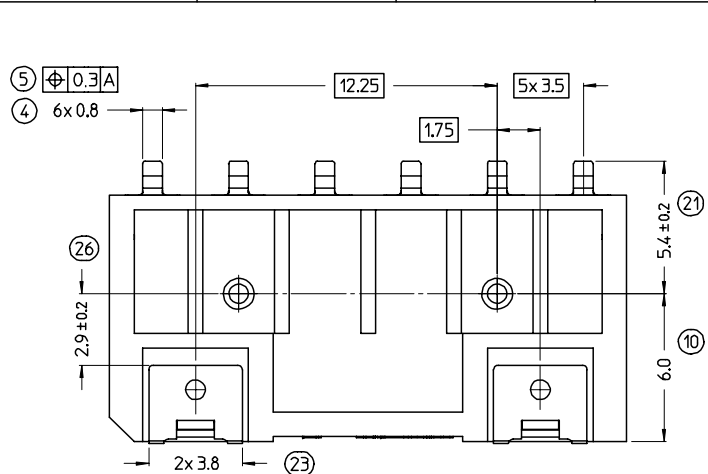
E

D

C

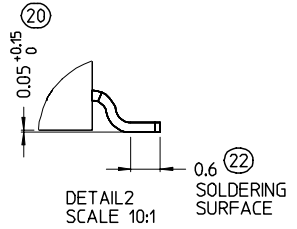
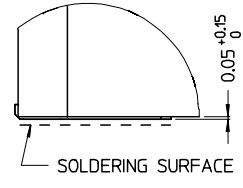
B

A



MATERIALS: HOUSING: PA6T 30% G.F. V-0 BLACK  
 CONTACT: PHOSPHOROUS BRONZE (Ph-Bz) 0.20 mm THICK  
 LATCH: BRASS 0.30 mm THICK TIN PRE-PLATED 2-3 μm  
 PLATING: CONTACT AREA: Pd-Ni 1 μm MIN, FLASH Au 0.1 μm OVER Ni 1.27 μm MIN  
 SOLDER AREA: Sn 3-5 μm OVER Ni 1.27 μm MIN  
 PACKAGING: SEE DWG. PK-98285-001  
 COPLANARITY OF SOLDER TAILS: 0.1 mm MAX (8)  
 PRODUCT SPECIFICATION ACCORDING TO PS-98285-001

CONTACT SURFACE  
 DETAIL1  
 DETAIL2  
 DISPLACEMENT OF CONTACT POINT AT NOMINAL HEIGHT (5.4)



MTL.NO.	CONTACT					
	1	2	3	4	5	6
98285-1000	X	X	X	X	X	X
98285-2000	X	X	X	X	X	

Std. Descr.: "BATTERY CONN PITCH 3.5 mm 6 CKT (OR 4 CKT)"

EC NO: Z2006-0088 DRWN:RDGOSTI 2005/11/23 CHKD:RSANDANQ2005/11/23 APPR:GZUIN 2005/11/23	QUALITY SYMBOLS	GENERAL TOLERANCES (UNLESS SPECIFIED) 4 PLACES ± --- ± --- 3 PLACES ± --- ± --- 2 PLACES ± 0.05 ± --- 1 PLACE ± 0.15 ± --- ANGULAR ± ---° DRAFT WHERE APPLICABLE MUST REMAIN WITHIN DIMENSIONS	SCALE 5:1	DESIGN UNITS METRIC	FIRST ANGLE PROJECTION	REVISE ON CAD ONLY	
	DESCRIPTION		DIMENSION STYLE MM ONLY	TITLE	6 OR 4 CKT LOADED BATTERY CONNECTOR PITCH 3.5 MM		
	REV		APPROVED BY	DATE	MATERIAL NO.	DOCUMENT NO.	SHEET NO.
			THIS DRAWING CONTAINS INFORMATION THAT IS PROPRIETARY TO MOLEX INCORPORATED AND SHOULD NOT BE USED WITHOUT WRITTEN PERMISSION		SEE TABLE	SD-98285-001	1 OF 1