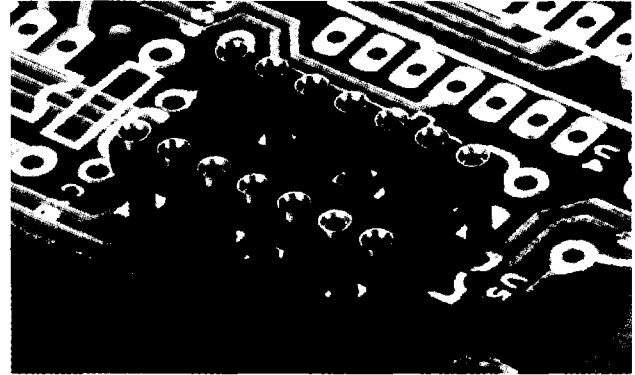
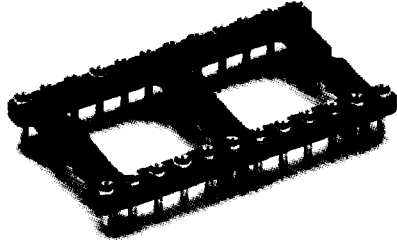


Standard & High Temperature Open Frame DIP Sockets



Features:

- Multiple finger contact on all sockets assures maximum reliability.
- Tapered entry for ease of insertion.
- Closed bottom sleeve for 100% anti-wicking of solder.
- To fit .100" (2.54 mm) pitch.
- Easily customized to fit your application.
- For surface mount applications use HLS only.

Terminals and Contacts:

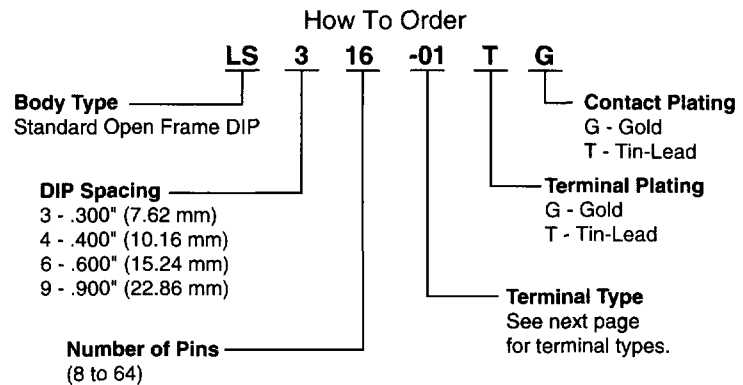
- Terminal: Brass - Copper Alloy 360, ASTM-B-16
- Contact: Beryllium Copper - Copper Alloy 172, ASTM-B-194

Plating:

- Terminal: Gold over Nickel or Tin-Lead over Nickel
- Contact: Gold over Nickel or Tin-Lead over Nickel
- Gold per MIL-G-45204
- Tin-Lead per MIL-P-81728
- Nickel per QQ-N-290

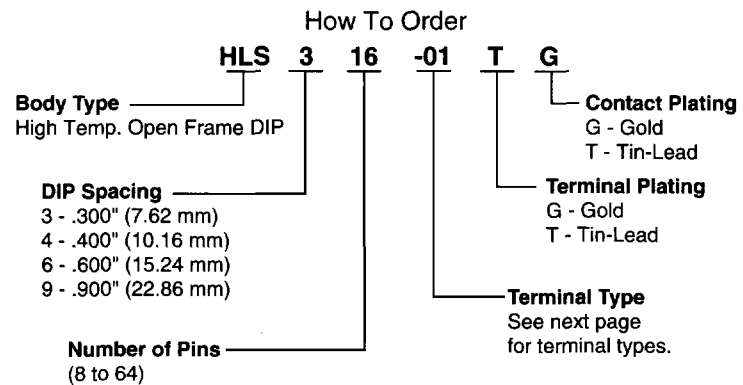
Standard Sockets

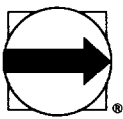
LS - Insulator Material:
Glass Filled Thermoplastic Polyester (P.B.T.)
U.L. Rated 94V-O, -60°C to 140°C (-76°F to 284°F)



High Temperature Sockets

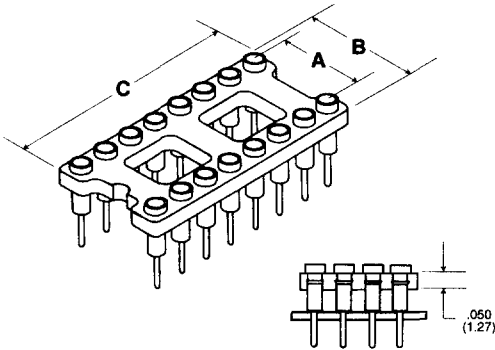
HLS - Insulator Material:
High Temp. Glass Filled Thermoplastic
U.L. Rated 94V-O, -60° C to 260°C (-76°F to 500°F)





Standard & High Temperature Open Frame DIP Sockets

Dual In-Line

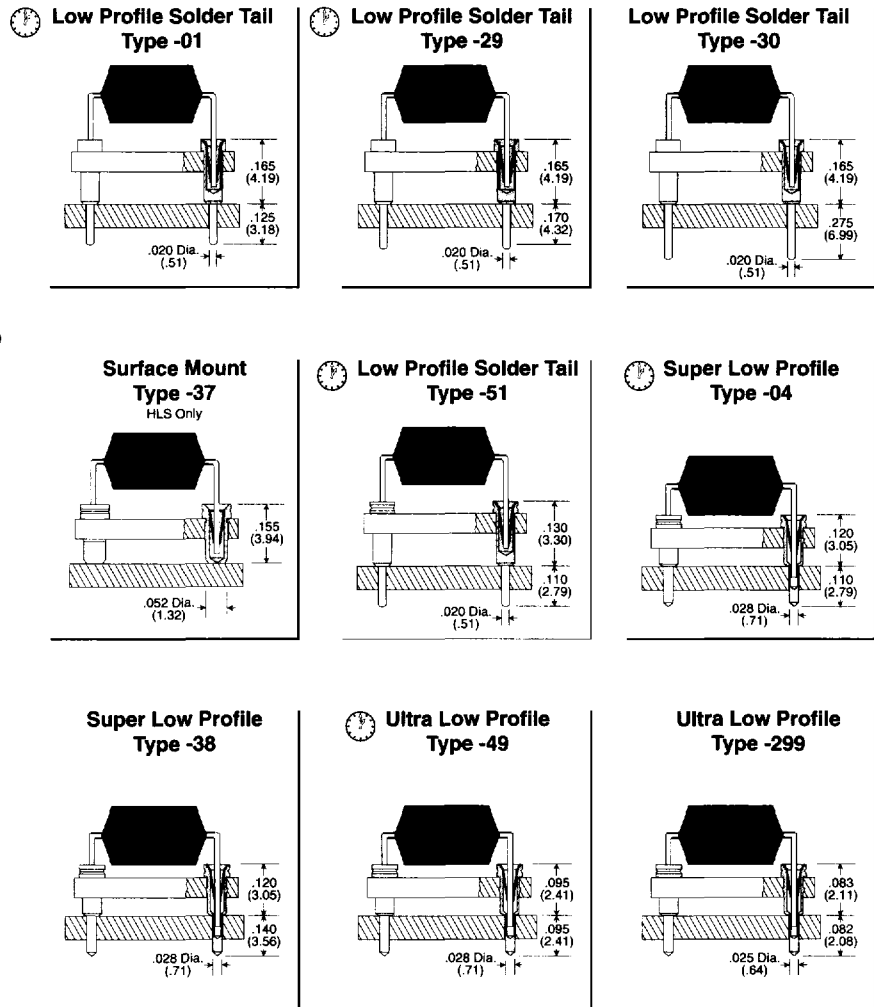


Dimensional Information

# of Pins	A	B	C
8	.300 (7.62)	.400 (10.16)	.400 (10.16)
14	.300 (7.62)	.400 (10.16)	.700 (17.78)
16	.300 (7.62)	.400 (10.16)	.800 (20.32)
18	.300 (7.62)	.400 (10.16)	.900 (22.86)
20	.300 (7.62)	.400 (10.16)	1.000 (25.40)
22	.300 (7.62)	.400 (10.16)	1.100 (27.94)
24	.300 (7.62)	.400 (10.16)	1.200 (30.48)
28	.300 (7.62)	.400 (10.16)	1.400 (35.56)
22	.400 (10.16)	.500 (12.70)	1.100 (27.94)
24	.400 (10.16)	.500 (12.70)	1.200 (30.48)
24	.600 (15.24)	.700 (17.78)	1.200 (30.48)
28	.600 (15.24)	.700 (17.78)	1.400 (35.56)
32	.600 (15.24)	.700 (17.78)	1.600 (40.64)
40	.600 (15.24)	.700 (17.78)	2.000 (50.80)
48*	.600 (15.24)	.700 (17.78)	2.400 (60.96)
64*	.900 (22.86)	1.000 (25.40)	3.200 (81.28)

* Socket body thickness is .100/(2.54) for 48 and 64 positions.

Terminal Information



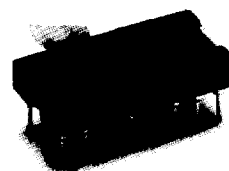
Quick turn delivery available on standard terminal types.

Additional terminal types available.
See terminal section for detailed terminal information.

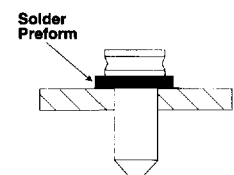
Socket Options



RTV Sealed - Pg. 36



Tape Sealed - Pg. 37



Solder Preform - Pg. 35

See designated pages for how to order information on these socket options.