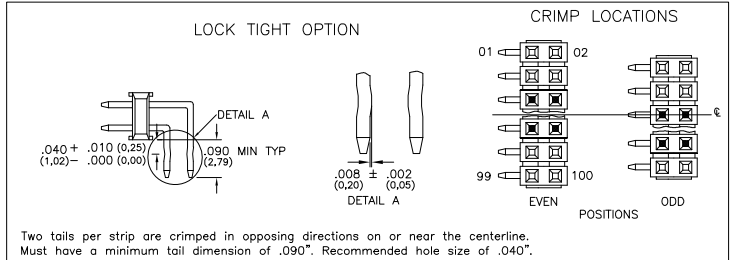
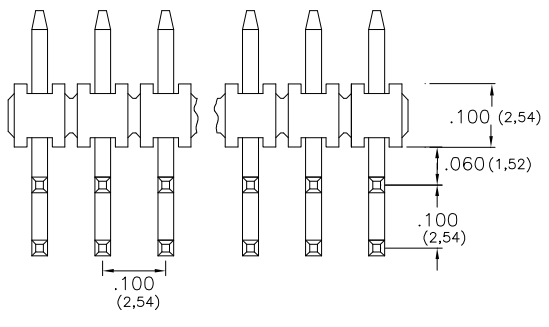
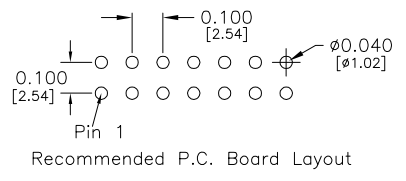
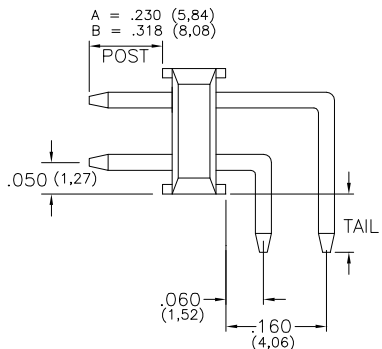
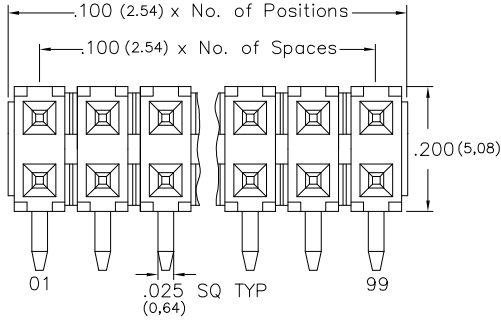


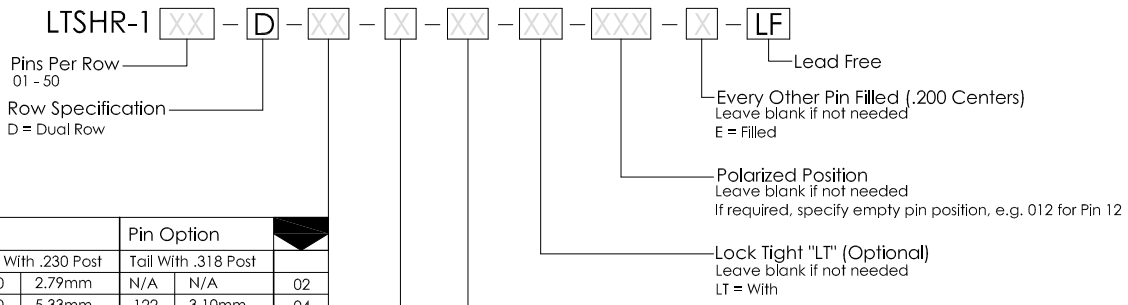
# Major League Electronics .100 cl Low Profile Terminal Strip Header - Right Angle



Two tails per strip are crimped in opposing directions on or near the centerline. Must have a minimum tail dimension of .090". Recommended hole size of .040".

Tails may be clipped to achieve desired pin length

## Ordering Information



		Pin Option		
Tail With .230 Post		Tail With .318 Post		
.110	2.79mm	N/A	N/A	02
.210	5.33mm	.122	3.10mm	04
.310	7.87mm	.222	5.64mm	06
.410	10.42mm	.322	8.18mm	08
.510	12.95mm	.422	10.71mm	10
.610	15.49mm	.522	13.26mm	12
.710	18.03mm	.622	15.80mm	14
.810	20.57mm	.722	18.34mm	16
.910	23.61mm	.822	20.88mm	18

Desired Post Height  
A = .230 (5.84)  
B = .318 (8.08)

Plating Options	
G	- 10µ Gold on Contact area/Flash on Tail
T	- Matte Tin all Over
GT	- 10µ Gold on Contact Area / Matte Tin on Tail
H	- 30µ Gold on Contact Area / Matte Tin on Tail
F	- Gold Flash over Entire Pin

## Specifications

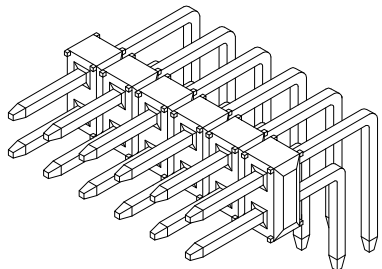
- Current Rating: 3.0 Ampere
- Insulation Resistance: 1000MΩ Min.
- Dielectric Withstanding: 600V AC
- Contact Resistance: 20 mΩ Max.
- Operating Temperature: -40°C to + 105°C
- Max. Process Temperature:
  - Peak: 260°C up to 20 secs.
  - Process: 230°C up to 60 secs.
  - Wave: 260°C up to 6 secs.
  - Manual Solder: 350°C up to 5 secs.

## Materials

- Contact Material: Phosphor Bronze
- Insulator Material: Nylon 6T
- Plating: Au or Sn over 50µ" (1.27) Ni

## Mates with:

- BCSS,
- BSSH,
- BSSHC,
- BSSQ,
- BSSQC,
- BSSQM,
- LBCSS,
- LSMBC,
- LSWSS,
- SMBC,
- SSHQ,
- SSHQR,
- SSHR,
- SSHS,
- SSHSM



Products cut to specific sizes are uncancellable/nonreturnable      Parts are subject to change without notice

UNLESS OTHERWISE SPECIFIED DIMENSIONS IN INCHES (MM) TOLERANCES ARE:  ONE PLACE DECIMALS ±.100 TWO PLACE DECIMALS ±.010 THREE PLACE DECIMALS ±.005 FOUR PLACE DECIMALS ±.0020  ANGLES ±.5°	<b>LTSHR-1-D SERIES</b>	.100 cl Dual Row - Right Angle Low Profile Terminal Strip Header	17 JAN 07	Scale NTS
		4235 Earnings Way, New Albany, Indiana, 47150, USA 1-800-782-3486 (USA/Canada/Mexico) Tel: 812-944-7244 Fax: 812-944-7268 E-mail: mle@mlelectronics.com Web: www.mlelectronics.com	Edition 1	Sheet 1/1