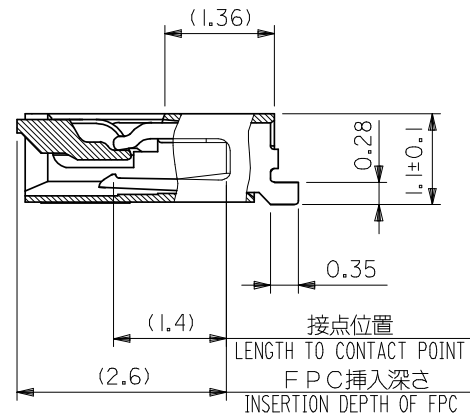
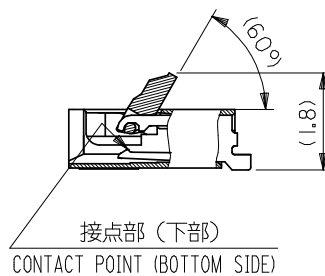
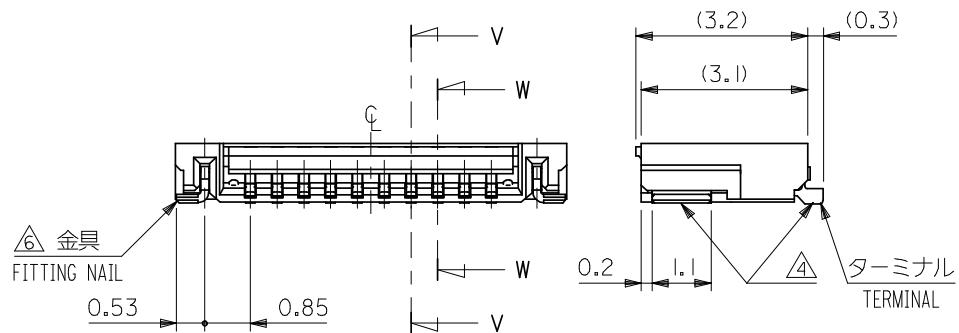


断面 V-V 奇数極
SECT. V-V (Scale 15:1) (ODD CIRCUIT)

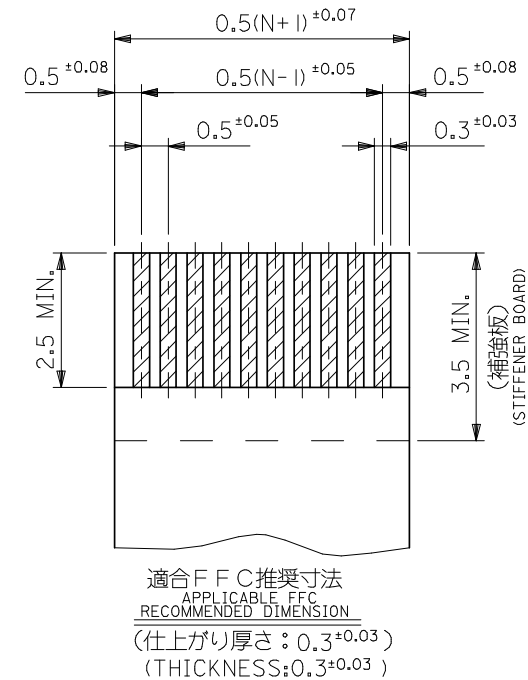
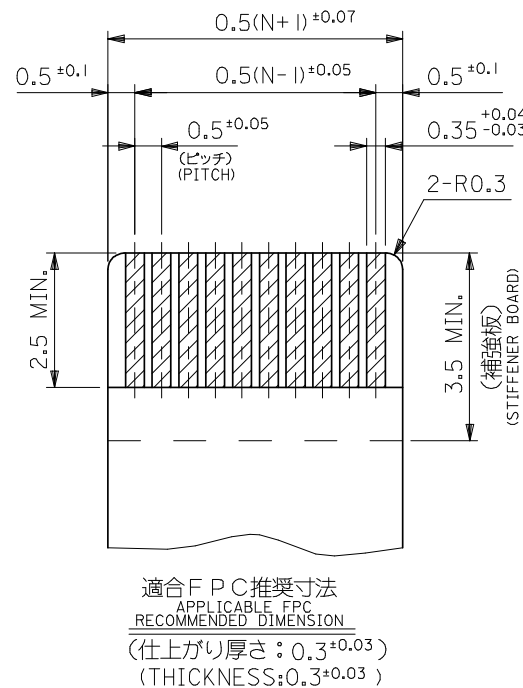
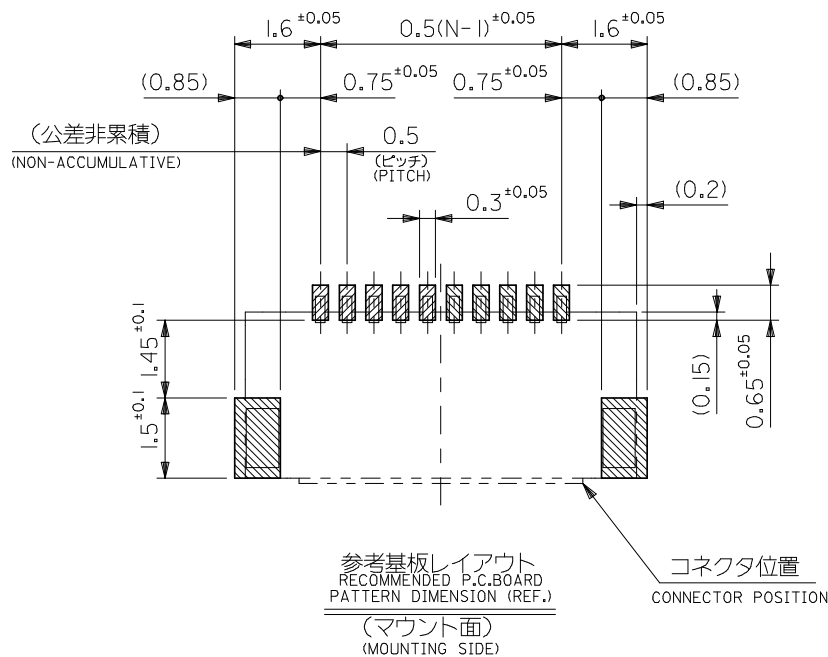


断面 W-W 偶数極
SECT. W-W (Scale 15:1) (EVEN CIRCUIT)



12.3	11.5	14.3	51441-2493	51441-2441	24
11.3	10.5	13.3	51441-2293	51441-2241	22
10.3	9.5	12.3	51441-2093	51441-2041	20
9.3	8.5	11.3	51441-1893	51441-1841	18
8.8	8.0	10.8	51441-1793	51441-1741	17
8.3	7.5	10.3	51441-1693	51441-1641	16
6.8	6.0	8.8	51441-1393	51441-1341	13
6.3	5.5	8.3	51441-1293	51441-1241	12
5.8	5.0	7.8	51441-1193	51441-1141	11
5.3	4.5	7.3	51441-1093	51441-1041	10
4.8	4.0	6.8	51441-0993	51441-0941	9
4.3	3.5	6.3	51441-0893	51441-0841	8
3.8	3.0	5.8	51441-0793	51441-0741	7
3.3	2.5	5.3	51441-0693	51441-0641	6
C	B	A	EMBOSSED TAPE	製品番号	極数
			ORDER No. オーダー番号	MATERIAL No.	CIRCUIT
			51441-***41	MODEL NO.	
			SCALE 10:1	DESIGN UNITS METRIC	THIRD ANGLE PROJECTION
			TITLE		
			0.5 FPC CONN. E/O HSG ASSY BTM CONT(H=1.1) -LEAD FREE-		
			MOLEX MOLEX INCORPORATED		
			MATERIAL NO.	DOCUMENT NO.	SHEET NO.
			SEE TABLE	SD-51441-007	1 OF 2
THIS DRAWING CONTAINS INFORMATION THAT IS PROPRIETARY TO MOLEX INCORPORATED AND SHOULD NOT BE USED WITHOUT WRITTEN PERMISSION					

REVISED EC NO: J2008-4048 DRWN:MNABEI 2008/06/13 CHKD:THARUYAMA 2008/06/16 APPR:NUKITA 2008/06/16	GENERAL TOLERANCES (UNLESS SPECIFIED)		DIMENSION STYLE MM ONLY		SCALE 10:1		DESIGN UNITS METRIC		THIRD ANGLE PROJECTION	
	10 UNDER	±0.2	DRAWN BY	DATE	TITLE					
	10 OVER 30 UNDER	±0.25	M. HAYASHI	2003/12/22	0.5 FPC CONN. E/O HSG ASSY BTM CONT(H=1.1) -LEAD FREE-					
	30 OVER	±0.3	CHECKED BY	DATE	MOLEX MOLEX INCORPORATED					
	ANGULAR	±3°	K. TOJO	2003/12/22	MATERIAL NO.		DOCUMENT NO.		SHEET NO.	
DRAFT WHERE APPLICABLE MUST REMAIN WITHIN DIMENSIONS		SEE TABLE		SD-51441-007				1 OF 2		



注記 NOTES

1. 使用材料 MATERIAL

ハウジング : 液晶ポリマー ガラス充填, UL94V-0 (ベージュ)
 HOUSING : LIQUID CRYSTAL POLYMER GLASS FILLED, UL94V-0(BEIGE)
 アクチュエータ : ポリフェニレンサルファイド ガラス充填, UL94V-0 (黒)
 ACTUATOR : POLYPHENYLENE SULFIDE GLASS FILLED, UL94V-0(BLACK)
 ターミナル : リン青銅 (t=0.18)
 TERMINAL : PHOSPOR BRONZE
 金具 : リン青銅 (t=0.15)
 FITTING NAIL : PHOSPOR BRONZE

2. メッキ仕様 PLATING

ターミナル TERMINAL
 ニッケル下地鍍ビスマスメッキ
 TIN-BISMUTH (LEAD FREE) OVER NICKEL PLATING
 金具 FITTING NAIL
 ニッケル下地鍍メッキ
 PURE TIN (LEAD FREE) OVER NICKEL PLATING

3. インボステーブ梱包時は、アクチュエータが閉じた状態とする。
 IN THE PACKAGE, ACTUATOR OF PART NO.51441-***II SHOULD BE CLOSED.
- △ソルダーテール及び金具の平坦度は、0.1以下。
 SOLDER TAIL AND FITTING NAIL COPLANARITY TO BE 0.1 MAXIMUM.
- △偶数極に適用。
 APPLY FOR EVEN CIRCUIT.
- △パターンはくり止め用金具
 FITTING NAIL FOR PREVENTION OF PEELING OF PCB PATTERN.
7. この製品は 51441-***II 及び 51441-***3I の鉛フリー品です。
 THIS PRODUCT IS LEAD FREE ITEM OF 51441-***II AND 51441-***3I.

FPC/FFCについて:

打抜き方向は導体側から補強板側を推奨いたします。
 導体部については軟銅箔35マイクロメートルまたは50マイクロメートルを推奨いたします。
 ABOUT FPC/FFC
 RECOMMENDED PUNCHER DIRECTION : FROM CONDUCTOR SIDE TO STIFFENER FILM SIDE.
 RECOMMENDED CONDUCTOR SPEC :
 THICKNESS OF SOFT COPPER FOIL : 35 MICROMETER OR 50 MICROMETER

FPCについて:

補強フィルム材質はポリイミドを推奨します。
 接着剤は熱硬化接着剤を推奨します。
 ABOUT FPC
 RECOMMENDED MATERIAL :
 STIFFENER FILM : POLYIMIDE
 BONDING AGENT : THERMOSETTING BONDING AGENT

REVISED EC NO: J2008-4048 DRWN: MWABEI 2008/06/13 CHKD: THARUYAMA 2008/06/16 APPR: NUKITA 2008/06/16 REV	GENERAL TOLERANCES (UNLESS SPECIFIED)		DIMENSION STYLE MM ONLY		51441-***41		MODEL NO.	
	10 UNDER ±0.2		DRAWN BY DATE M. HAYASHI 2003/12/22		SCALE 10:1	DESIGN UNITS METRIC	THIRD ANGLE PROJECTION	
	10 OVER 30 UNDER ±0.25		CHECKED BY DATE K. TOJO 2003/12/22		TITLE 0.5 FPC CONN. E/O HSG ASSY BTM CONT(H=1.1) -LEAD FREE-			
	30 OVER ±0.3		APPROVED BY DATE M. SASAO 2003/12/22					
	ANGULAR ±3 °		MATERIAL NO.		DOCUMENT NO.		SHEET NO.	
	DRAFT WHERE APPLICABLE MUST REMAIN WITHIN DIMENSIONS		SEE SHEET 1		SD-51441-007		2 OF 2	
			SIZE A3		THIS DRAWING CONTAINS INFORMATION THAT IS PROPRIETARY TO MOLEX INCORPORATED AND SHOULD NOT BE USED WITHOUT WRITTEN PERMISSION			
				MOLEX MOLEX INCORPORATED				

10 9 8 7 6 5 4 3 2 1

F

E

D

C

B

A

F

E

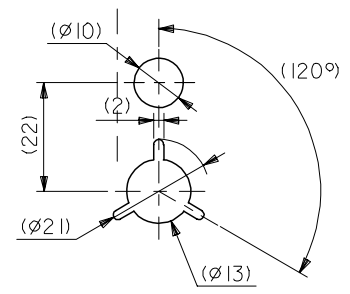
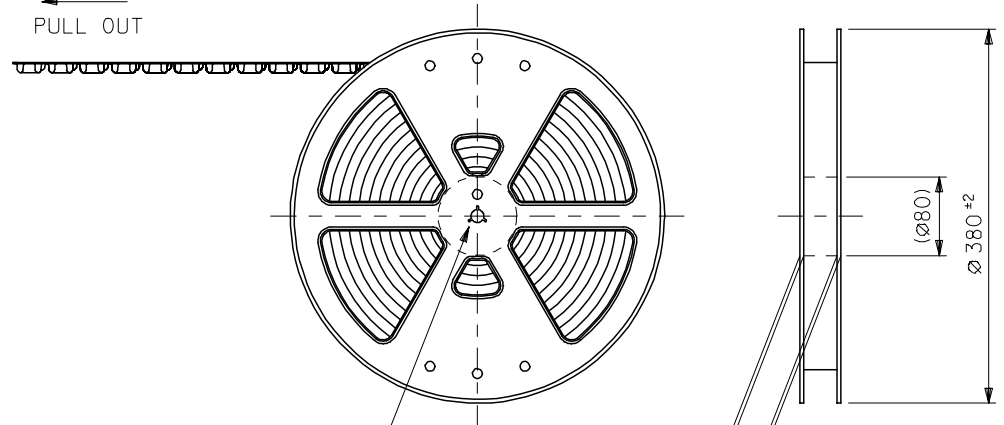
D

C

B

A

引き出し方向
PULL OUT

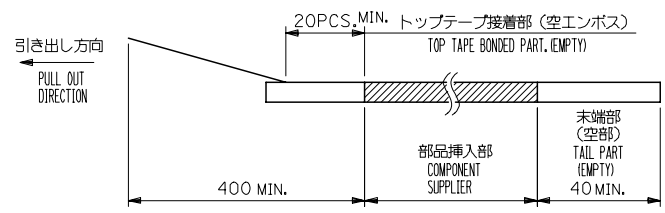


DETAIL "F"

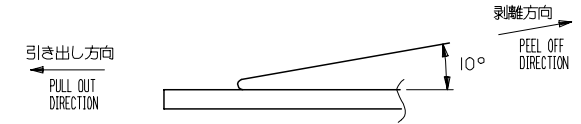
E ± 1
G ± 1

注記 NOTES

- 製品詳細寸法については、図面SD-51441-007を参照下さい。
RE DETAILED DIMENSION, SEE SD-51441-007.
- 梱包数量：3000個/リール
NUMBER OF CONNECTORS : 3000PCS/REEL
- リードテープ長さ LEAD TAPE LENGTH



- トップテープの剥離強度：0.1N~1.3N {10.2gf~130gf}
(剥離方向は下図参照)
尚、本規格値は出荷時に適用。(但し、輸送時に剥離が発生しないこと。)
PEELING OFF FORCE OF TOP TAPE : 0.1N ~ 1.3N(10gf ~ 130gf)
(PEELING DIRECTION AS SHOWN IN FOLLOWING FIG,)
THIS REQUIREMENT SHOULD BE APPLIED AT SHIPMENT.
PEEL OFF SHOULD NOT BE ALLOWED, DURING TRANSPORTATION.



- 材料 (MATERIAL)
キャリアテープ (CARRIER TAPE) : ポリプロピレン (POLYPROPYLENE)
トップテープ (TOP TAPE) : PET, PE, PEF
リール (REEL) : ポリスチレン (PS) <リサイクル材を含む>
POLYSTYRENE(PS) <RECYCLE MATERIAL CONTAINED>
- この製品は 51441-***90 及び 51441-***92 の鉛フリー品です。
THIS PRODUCT IS LEAD FREE ITEM OF 51441-***90 AND 51441-***92.

51441-***93 MODEL No.

REVISED EC NO: J2006-0858 DRAWN: NABEI 2005/09/09 CHKD: KTOYODA 2005/09/12 APPR: NUKITA 2005/09/15	GENERAL TOLERANCES (UNLESS SPECIFIED)		DIMENSION STYLE MM ONLY		SCALE ---	DESIGN UNITS METRIC	THIRD ANGLE PROJECTION
	10 UNDER	± 0.2	DRAWN BY M. HAYASHI	DATE '03/12/22	TITLE EMBSTP PKG FOR 0.5 FPC CONN E/O BTM CONT H=1.1 -LEAD FREE-		
	10 OVER 30 UNDER	± 0.25	CHECKED BY K. TOJO	DATE '03/12/22	MOLEX INCORPORATED		
	30 OVER	± 0.3	APPROVED BY M. SASAO	DATE '03/12/22	DOCUMENT NO. SD-51441-008	SHEET NO. 1 OF 3	
	ANGULAR	± 3 °	MATERIAL NO. SEE CHART				
A	DRAFT WHERE APPLICABLE MUST REMAIN WITHIN DIMENSIONS		SIZE A3		THIS DRAWING CONTAINS INFORMATION THAT IS PROPRIETARY TO MOLEX INCORPORATED AND SHOULD NOT BE USED WITHOUT WRITTEN PERMISSION		

10 9 8 7 6 5 4 3 2 1

F

F

E

E

D

D

C

C

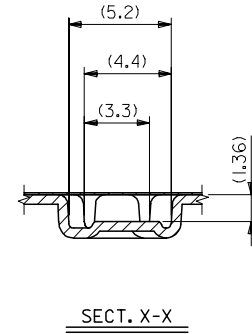
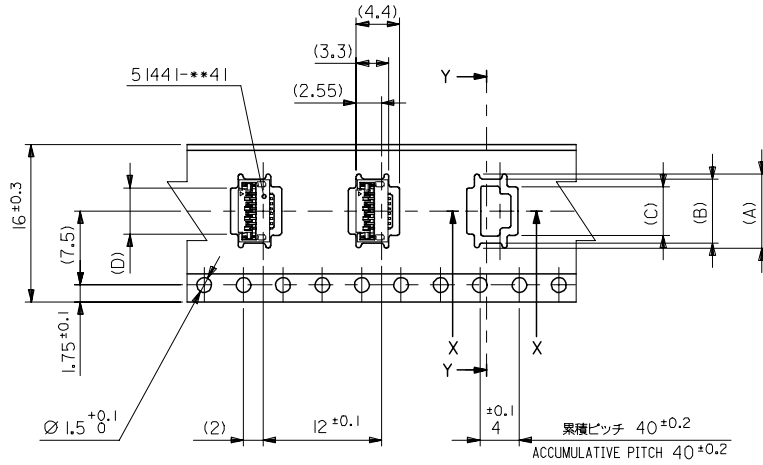
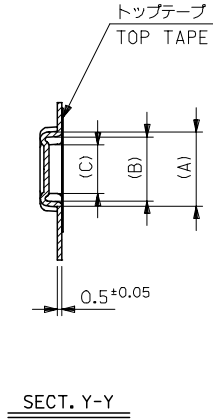
B

B

A

A

引き出し方向
PULL OUT DIRECTION



1.6mm幅キャリアテープ
1.6mm WIDTH CARRIER TAPE

16	21.4	17.4	4.7	4.89	6.5	7.5	51441-0893	8
			4.2	4.39	6	7	51441-0793	7
			3.7	3.89	5.5	6.5	51441-0693	6
キャリアテープ幅 CARRIER TAPE WIDTH	G	E	(D)	(B)	(A)		MATERIAL NO.	数量 QTY.

REVISED EC NO: J2006-0858 DRWN: NABE CHKD: TOYODA APPR: NUKITA	DESCRIPTION 2005/09/09 2005/09/12 2005/09/15	GENERAL TOLERANCES (UNLESS SPECIFIED)		DIMENSION STYLE MM ONLY		SCALE ---	DESIGN UNITS METRIC	THIRD ANGLE PROJECTION	
		10 UNDER	±0.2	DRAWN BY M. HAYASHI	DATE '03/12/22	TITLE EMBSTP PKG FOR 0.5 FPC CONN E/O BTM CONT H=1.1 -LEAD FREE-			
		10 OVER 30 UNDER	±0.25	CHECKED BY K. TOJO	DATE '03/12/22	MOLEX INCORPORATED			
		30 OVER	±0.3	APPROVED BY M. SASAO	DATE '03/12/22	MATERIAL NO. DOCUMENT NO. SHEET NO. SEE CHART SD-51441-008 2 OF 3			
ANGULAR ±3 °		DRAFT WHERE APPLICABLE MUST REMAIN WITHIN DIMENSIONS		SIZE A3		THIS DRAWING CONTAINS INFORMATION THAT IS PROPRIETARY TO MOLEX INCORPORATED AND SHOULD NOT BE USED WITHOUT WRITTEN PERMISSION			

9

8

7

6

5

4

3

2

10 9 8 7 6 5 4 3 2 1

F

E

D

C

B

A

F

E

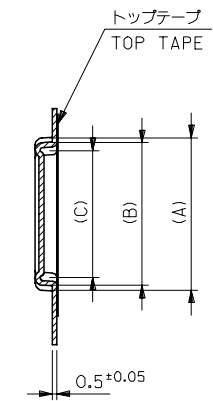
D

C

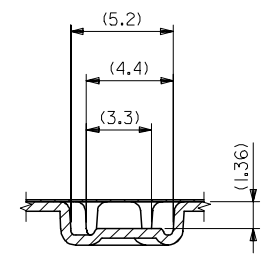
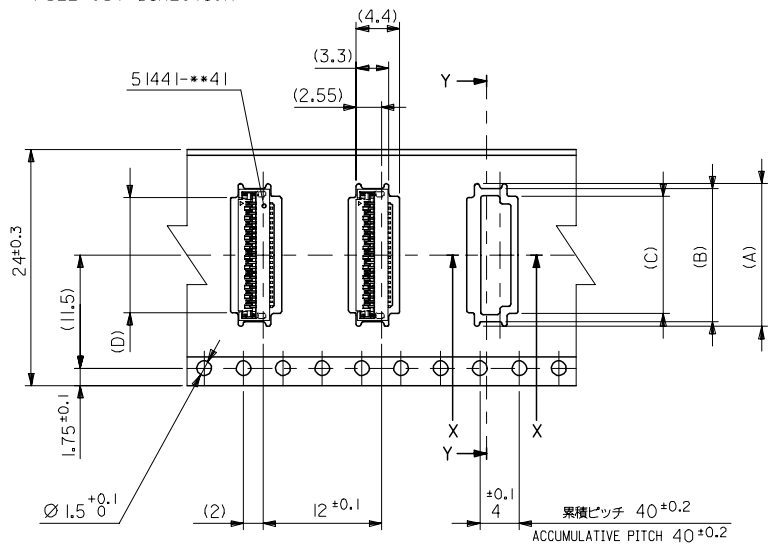
B

A

引き出し方向
PULL OUT DIRECTION



SECT. Y-Y



SECT. X-X

24mm幅キャリアテープ
24mm WIDTH CARRIER TAPE

24	29.4	25.4	12.7	12.89	14.5	15.5	5144I-2493	24
			11.7	11.89	13.5	14.5	5144I-2293	22
			10.7	10.89	12.5	13.5	5144I-2093	20
			9.7	9.89	11.5	12.5	5144I-1893	18
			9.2	9.39	11	12	5144I-1793	17
			8.7	8.89	10.5	11.5	5144I-1693	16
			7.2	7.39	9	10	5144I-1393	13
			6.7	6.89	8.5	9.5	5144I-1293	12
			6.2	6.39	8	9	5144I-1193	11
			5.7	5.89	7.5	8.5	5144I-1093	10
5.2	5.39	7	8	5144I-0993	9			

キャリアテープ幅 CARRIER TAPE WIDTH G E (D) (C) (B) (A) MATERIAL NO. 5144I-1893 MODEL No. 5144I-**93

REVISED EC NO: J2006-0858 DRWN: NABE 2005/09/09 CHKD: KTOYODA 2005/09/12 APPR: NUKITA 2005/09/15	GENERAL TOLERANCES (UNLESS SPECIFIED)		DIMENSION STYLE MM ONLY		SCALE ---	DESIGN UNITS METRIC	THIRD ANGLE PROJECTION
	10 UNDER	± ---	DRAWN BY M. HAYASHI	DATE '03/12/22	TITLE EMBSTP PKG FOR 0.5 FPC CONN E/O BTM CONT H=1.1 -LEAD FREE-		
	10 OVER 30 UNDER	± ---	CHECKED BY K. TOJO	DATE '03/12/22	MOLEX INCORPORATED DOCUMENT NO. SD-5144I-008 SHEET NO. 3 OF 3		
	30 OVER	± ---	APPROVED BY M. SASAO	DATE '03/12/22			
	ANGULAR	± --- °	MATERIAL NO. SEE CHART		THIS DRAWING CONTAINS INFORMATION THAT IS PROPRIETARY TO MOLEX INCORPORATED AND SHOULD NOT BE USED WITHOUT WRITTEN PERMISSION		
DRAFT WHERE APPLICABLE MUST REMAIN WITHIN DIMENSIONS		SIZE A3					