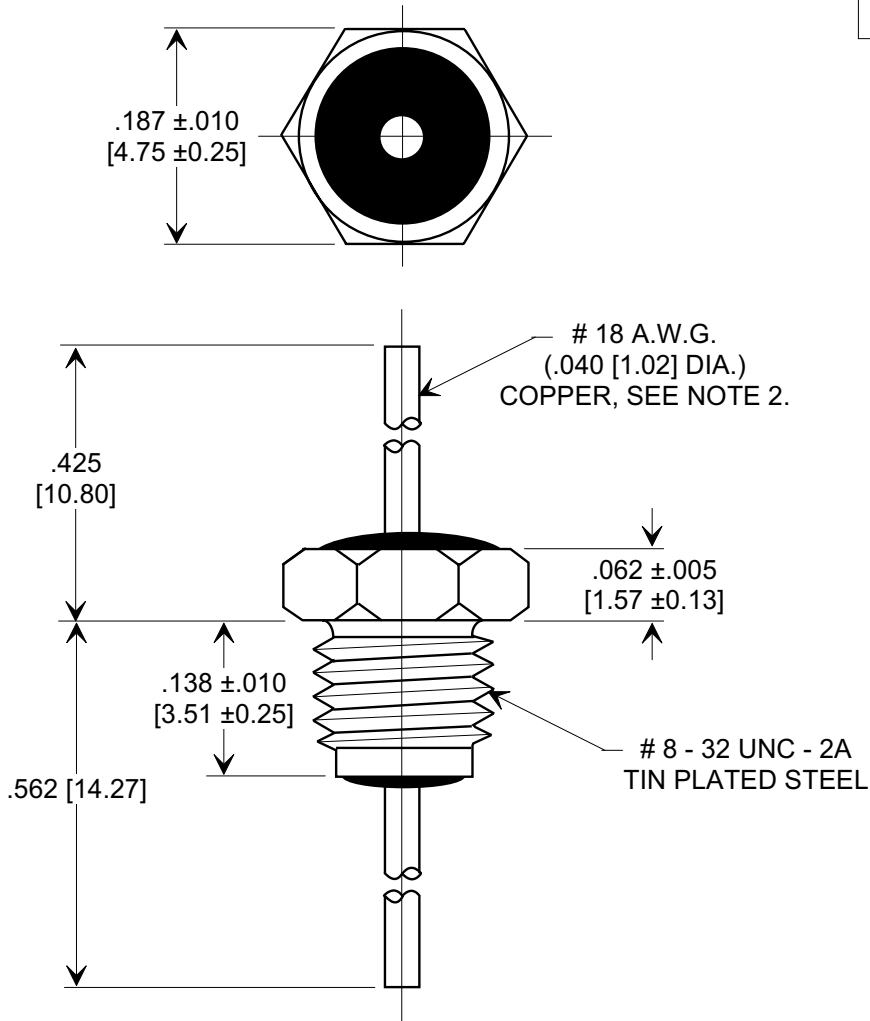
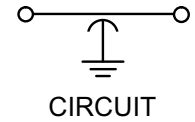
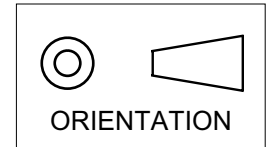


# MARKETING SALES DRAWING

DIMENSIONS IN INCHES - DO NOT SCALE THIS DRAWING  
 DIMENSIONS IN METRIC - [ ]

Electrical Testing  
 per Tusonix standard  
 test plans and Mil-Std-202  
 Test Methods.



**NOTES:**

- TUSONIX STANDARD PART NUMBER: 4205-057.  
 TUSONIX RoHS COMPLIANT PART NUMBER: 4205-057 LF.  
 CUSTOMER MUST SPECIFY STANDARD OR RoHS PART NUMBER WHEN ORDERING.
- LEAD FINISH: STANDARD PART #: 60/40 SOLDER PLATED. RoHS PART #: SILVER PLATED.
- PART MARKING: TRADEMARK AND VARIATION NUMBER ON HEX FLATS.  
 STANDARD PART: BLACK INK. RoHS PART: GREEN INK.
- SUPPLIED WITH SILVER PLATED COPPER ALLOY HEX NUT AND INTERNAL TOOTH LOCK WASHER.

CAP. (pF)	WORKING VOLTAGE (VVdc)		CURRENT Idc	I.R. MIN. @ 100 (VDC.)	DWV (VDC)	MINIMUM NO LOAD INSERTION LOSS (dB) AT 25°C PER MIL-STD-220			
	85° C	125° C				10 MHz	100 MHz	1 GHz	10 GHz
130 65	250	125	15	10 G Ω	250	----	3	20	28

X-2015 Rev-0	REVISION RECORD				--TOLERANCES-- Unless Otherwise Specified	Title	
	Original Release C.O.	WAS SK 7807-000 L.E. 08-10-00	0	ADDED NOTES 1-3, IR & DWV. S.M. 11-16-05		BUSHING STYLE EMI FILTER	
	20000725-1-03	20051031-7-02	1		DECIMAL ± .031 [0.79]	Drawn S.M. 06-14-00	Scale 6 X
					ANGLES ±	Approved H.R. 06-14-00	
					TUSONIX TUCSON, ARIZONA	A	4205-057