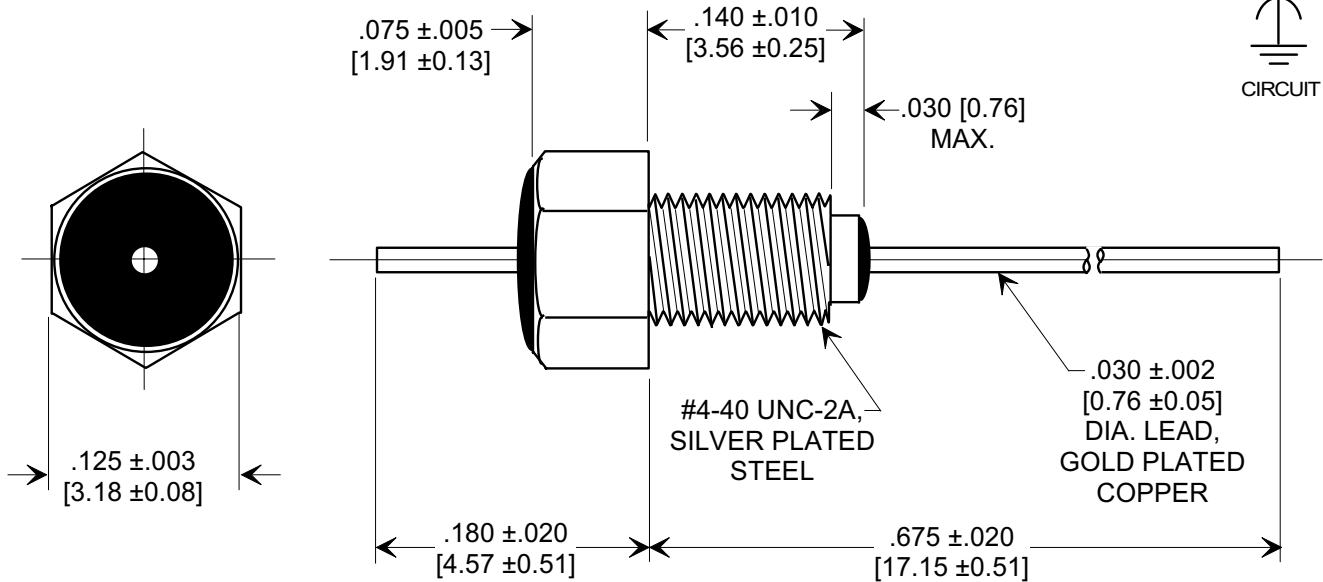
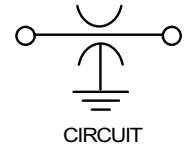
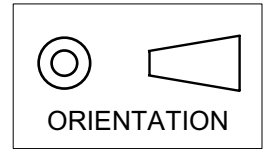


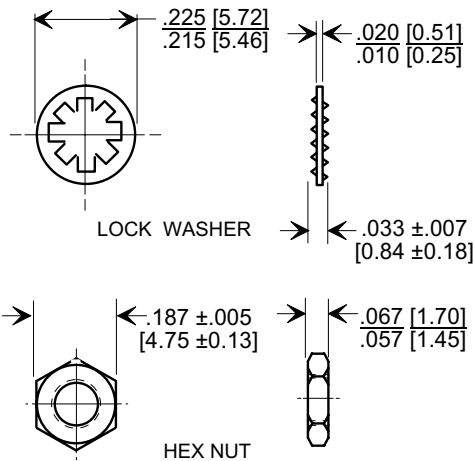
MARKETING SALES DRAWING

DIMENSIONS IN INCHES - DO NOT SCALE THIS DRAWING
DIMENSIONS IN METRIC - []

Electrical Testing
 per Tusonix standard
 test plans and Mil-Std-202
 Test Methods.



MOUNTING HARDWARE



NOTES:

1. OPERATING TEMPERATURE RANGE: -55°C TO +125°C.
2. SILVER PLATED CASE, AND MOUNTING HARDWARE.
3. MAX. RECOMMENDED MOUNTING TORQUE : 2.0 lb. - in.
4. MAX. RECOMMENDED SOLDERING TEMPERATURE : 260°C. SEE INSTALLATION RECOMMENDATIONS.
5. NUT AND LOCKWASHER INCLUDED.
6. TUSONIX TRADEMARK AND PART VARIATION NUMBER STAMPED ON HEX FLATS.

27,000	GMV	70	50	10	10	28	42	65	65
CAP.(pf)	TOLERANCE	85 °C	125 °C	DC	1 MHz	10 MHz	100 MHz	1 GHz	10 GHz
		DC WORKING VOLTAGE		CURRENT (AMPS)	MINIMUM NO LOAD INSERTION LOSS (dB) AT 25°C PER MIL-STD-220				

REVISION RECORD Original Release C.O. 20000410-4-01 0	--TOLERANCES-- Unless Otherwise Specified		Title MINIATURE BUSHING STYLE EMI FILTER	
	DECIMAL ± NOTED		Drawn S.M. 04-11-00 Scale 8 X	
	ANGLES ± NOTED		Approved T.C. 04-11-00	
	TUSONIX TUCSON, ARIZONA		A	4403-050