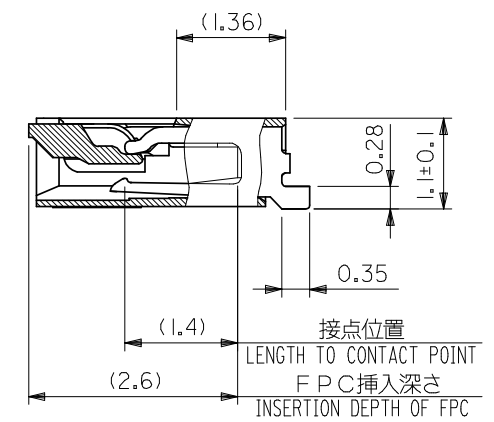
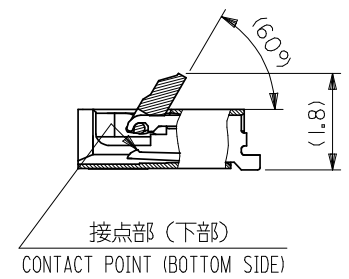
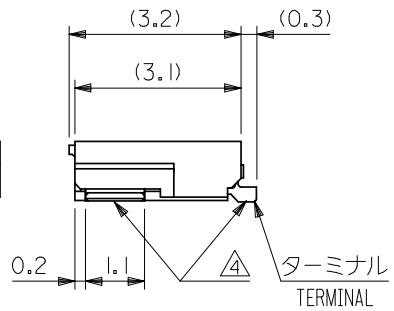
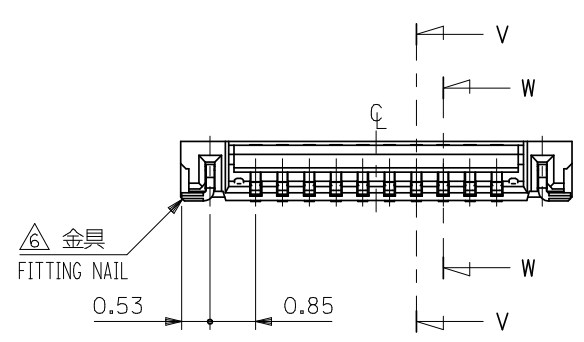


断面 V-V 奇数極
SECT. V-V (ODD CKT)



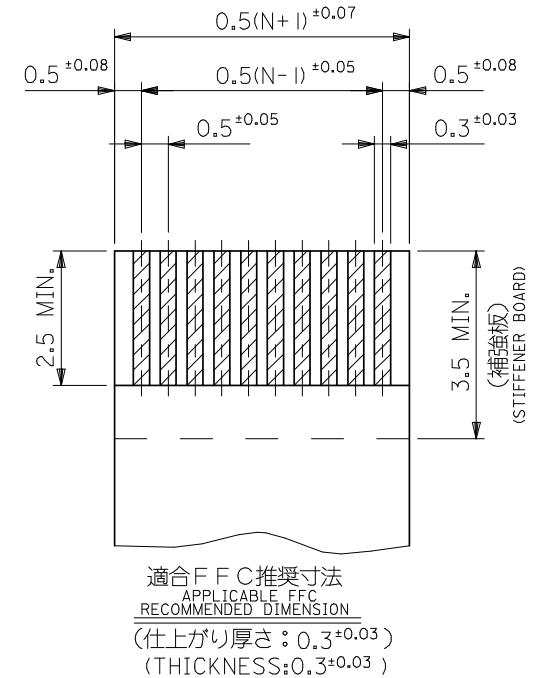
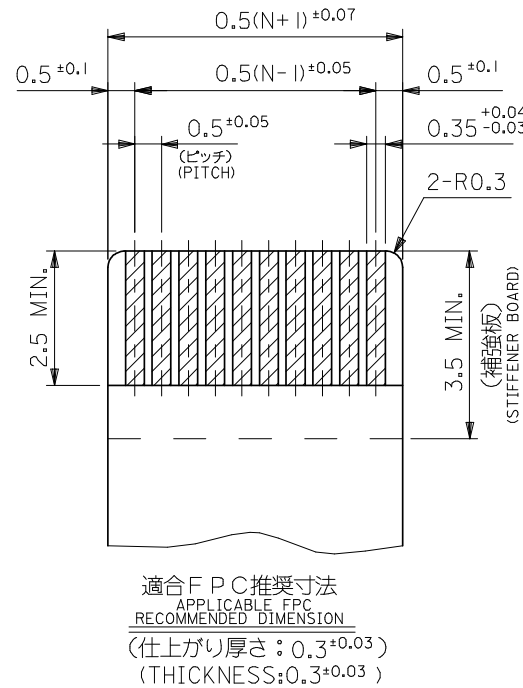
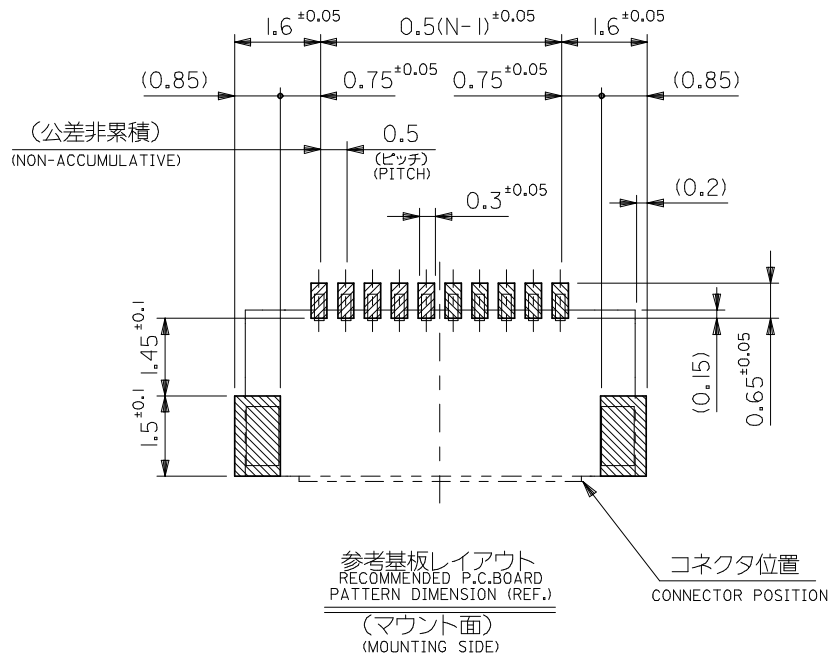
断面 W-W 偶数極
SECT. W-W (EVEN CKT)



(アクチュエータが開いた状態)
(WHEN ACTUATOR IS OPENED)

| | | | | | |
|------|------|------|--|---------------------|------------------------|
| 12.3 | 11.5 | 14.3 | 51441-2472 | 51441-2428 | 24 |
| 11.3 | 10.5 | 13.3 | 51441-2272 | 51441-2228 | 22 |
| 10.3 | 9.5 | 12.3 | 51441-2072 | 51441-2028 | 20 |
| 9.3 | 8.5 | 11.3 | 51441-1872 | 51441-1828 | 18 |
| 6.3 | 5.5 | 8.3 | 51441-1272 | 51441-1228 | 12 |
| 5.8 | 5.0 | 7.8 | 51441-1172 | 51441-1128 | 11 |
| 5.3 | 4.5 | 7.3 | 51441-1072 | 51441-1028 | 10 |
| 4.3 | 3.5 | 6.3 | 51441-0872 | 51441-0828 | 8 |
| C | B | A | EMBOSSED TAPE | 製品番号 | 極数 |
| | | | ORDER No. オーダー番号 | MATERIAL No. | CIRCUIT |
| | | | 51441-**28 | MODEL NO. | |
| | | | SCALE 10:1 | DESIGN UNITS METRIC | THIRD ANGLE PROJECTION |
| | | | TITLE 0.5 FPC CONN. (E/O) HSG ASSY BTM CONT(H=1.1) | | |
| | | | MOLEX MOLEX INCORPORATED | | |
| | | | DOCUMENT NO. SD-51441-012 | | SHEET NO. 1 OF 2 |

| | | | | | | | | | | |
|--|---------------------------------------|-------|--|------|---|--|---------------------|--|---|--|
| REVISED EC NO: J2008-4048 DRAWN: NABEI 2008/06/13 CHKD: THARUYAMA 2008/06/16 APPR: NUKITA 2008/06/16 | GENERAL TOLERANCES (UNLESS SPECIFIED) | | DIMENSION STYLE MM ONLY | | SCALE 10:1 | | DESIGN UNITS METRIC | | THIRD ANGLE PROJECTION | |
| | 10 UNDER | ±0.2 | DRAWN BY | DATE | TITLE 0.5 FPC CONN. (E/O) HSG ASSY BTM CONT(H=1.1) MOLEX MOLEX INCORPORATED DOCUMENT NO. SD-51441-012 SHEET NO. 1 OF 2 | | | | | |
| | 10 OVER 30 UNDER | ±0.25 | CHECKED BY | DATE | | | | | | |
| | 30 OVER | ±0.3 | APPROVED BY | DATE | | | | | | |
| | ANGULAR ±3 ° | | DRAFT WHERE APPLICABLE MUST REMAIN WITHIN DIMENSIONS | | SEE TABLE | | MATERIAL NO. | | THIS DRAWING CONTAINS INFORMATION THAT IS PROPRIETARY TO MOLEX INCORPORATED AND SHOULD NOT BE USED WITHOUT WRITTEN PERMISSION | |



注記 NOTES

1. 使用材料 MATERIAL

- ハウジング : 液晶ポリマー ガラス充填, UL 94V-0 (ベージュ)
HOUSING LIQUID CRYSTAL POLYMER GLASS FILLED, UL94V-0(BEIGE)
- アクチュエータ : ポリフェニレンサルファイド ガラス充填, UL 94V-0 (黒)
ACTUATOR POLYPHENYLENE SULFIDE GLASS FILLED, UL94V-0(BLACK)
- ターミナル : リン青銅 (t=0.18)
TERMINAL PHOSPOR BRONZE
- 金具 : リン青銅 (t=0.15)
FITTING NAIL PHOSPOR BRONZE

- 3. インボスタープ梱包時は、アクチュエータが閉じた状態とする。
IN THE PACKAGE, ACTUATOR OF PART NO.51441-**II SHOULD BE CLOSED.
- △ソルダーテール及び金具の平坦度は、0.1以下。
SOLDER TAIL AND FITTING NAIL COPLANARITY TO BE 0.1 MAXIMUM.
- △偶数極に適用。
APPLY FOR EVEN CIRCUIT.
- △パターンはくり止め用金具
FITTING NAIL FOR PREVENTION OF PEELING OF PCB PATTERN.
- 7. 本製品は 51441-**29 の部分金メッキ品である。
THIS PRODUCT IS SELECTIVE GOLD OF 51441-**29.
- 8. ELV AND RoHS COMPLIANT.

FPC/FFCについて:

打抜き方向は導体側から補強板側を推奨いたします。
導体部については軟銅箔35マイクロメートルまたは50マイクロメートルを推奨いたします。
ABOUT FPC/FFC
RECOMMENDED PUNCHER DIRECTION : FROM CONDUCTOR SIDE TO STIFFENER FILM SIDE.
RECOMMENDED CONDUCTOR SPEC :
THICKNESS OF SOFT COPPER FOIL : 35 MICROMETER OR 50 MICROMETER

FPCについて:

補強フィルム材質はポリイミドを推奨します。
接着剤は熱硬化接着剤を推奨します。
ABOUT FPC
RECOMMENDED MATERIAL :
STIFFENER FILM : POLYIMIDE
BONDING AGENT : THERMOSETTING BONDING AGENT

2. メッキ仕様 PLATING

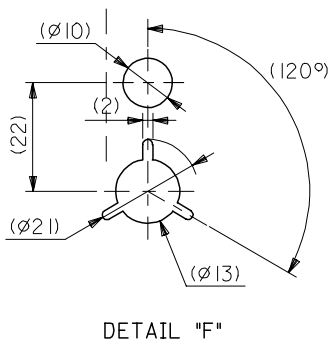
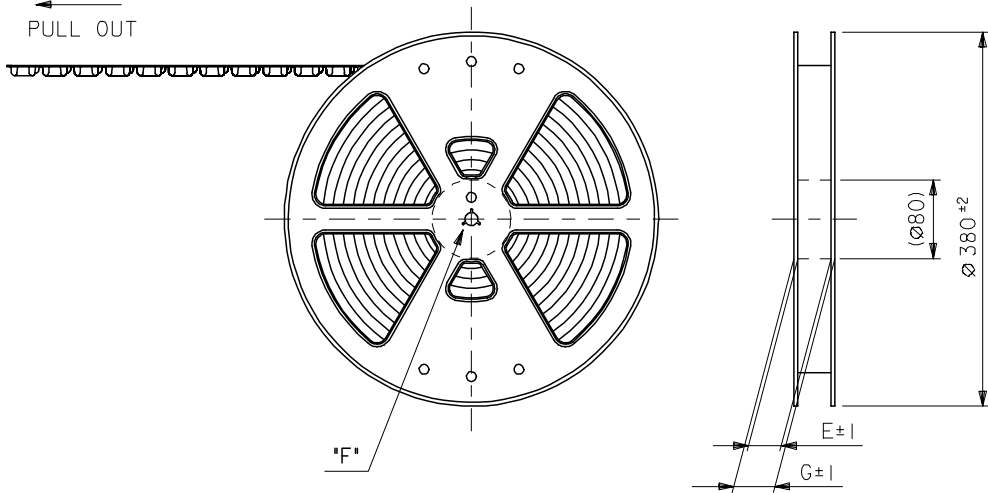
- ターミナル TERMINAL
ニッケル下地金メッキ
GOLD OVER NICKEL PLATING
- 金具 FITTING NAIL
ニッケル下地金メッキ
TIN OVER NICKEL PLATING

| | | | | | | | | |
|---|--|----------|----------------------------|-------------|--------------------|--------------|---|--------|
| REVISED EC NO: J2008-4048 DRAWN: NABEI 2008/06/13 CHKD: THARUYAMA 2008/06/16 APPR: NUKITA 2008/06/16 | GENERAL TOLERANCES (UNLESS SPECIFIED) | | DIMENSION STYLE MM ONLY | | 51441-**28 | | MODEL NO. | |
| | 10 UNDER | ±0.2 | DRAWN BY | DATE | SCALE | DESIGN UNITS | THIRD ANGLE PROJECTION | |
| | 10 OVER 30 UNDER | ±0.25 | M. NABEI | '05/06/29 | 10:1 | METRIC | 0.5 FPC CONN. (E/O) HSG ASSY BTM CONT(H=1.1) | |
| | 30 OVER | ±0.3 | CHECKED BY | DATE | TITLE | | | |
| | ANGULAR | ±3 ° | K. TOYODA | '05/06/29 | MOLEX INCORPORATED | | | |
| | DRAFT WHERE APPLICABLE MUST REMAIN WITHIN DIMENSIONS | | APPROVED BY | DATE | MATERIAL NO. | | DOCUMENT NO. | |
| | | N. UKITA | '05/06/29 | SEE SHEET 1 | | SD-51441-012 | | 2 OF 2 |
| THIS DRAWING CONTAINS INFORMATION THAT IS PROPRIETARY TO MOLEX INCORPORATED AND SHOULD NOT BE USED WITHOUT WRITTEN PERMISSION | | | | | | | | |

F

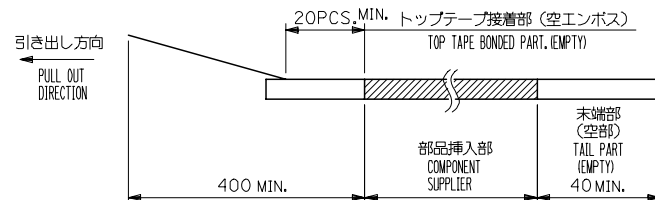
F

引き出し方向
PULL OUT

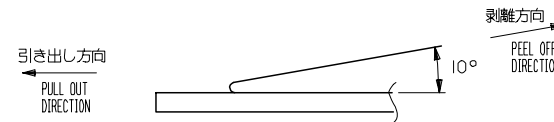


注記 NOTES

- 製品詳細寸法については、図面 SD-51441-012 を参照下さい。
RE DETAILED DIMENSION, SEE SD-51441-012.
- 梱包数量：3000個/リール
NUMBER OF CONNECTORS : 3000PCS/REEL
- リードテープ長さ LEAD TAPE LENGTH



- トップテープの剥離強度：0.1～1.3N(10～130gf)
(剥離方向は下図参照)
尚、本規格値は出荷時に適用。(但し、輸送時に剥離が発生しないこと。)
PEELING OFF FORCE OF TOP TAPE : 0.1～1.3N(10～130gf)
(PEELING DIRECTION AS SHOWN IN FOLLOWING FIG,)
THIS REQUIREMENT SHOULD BE APPLIED AT SHIPMENT.
PEEL OFF SHOULD NOT BE ALLOWED, DURING TRANSPORTATION.



- 材料 (MATERIAL)
キャリアテープ (CARRIER TAPE) : ポリプロピレン (POLYPROPYLENE)
トップテープ (TOP TAPE) : PET, PE, PEF
リール (REEL) : ポリスチレン (PS) <リサイクル材を含む>
POLYSTYRENE(PS) <RECYCLE MATERIAL CONTAINED>
- 本製品は 51441-**71 の部分金メッキ品である。
THIS PRODUCT IS SELECTIVE GOLD OF 51441-**71.
- ELV AND RoHS COMPLIANT.

A

A

| | | | | | | | |
|--|---------------------------------------|--------------|----------------------------|-------------------|---|------------------------|------------------------|
| REVISED EC NO: J2008-2016 DRAWN BY: DR.W.HYAJIMA 2007/11/21 CHKD: THARUYAMA 2007/11/22 APPR: NUKITA 2007/11/22 | GENERAL TOLERANCES (UNLESS SPECIFIED) | | DIMENSION STYLE MM ONLY | | SCALE --- | DESIGN UNITS METRIC | THIRD ANGLE PROJECTION |
| | 10 UNDER | ±0.2 | DRAWN BY M.NABEI | DATE '05/06/29 | TITLE EMBSTP PKG FOR 0.5 FPC CONN E/O BTM CONT | | |
| | 10 OVER 30 UNDER | ±0.25 | CHECKED BY K.TOYODA | DATE '05/06/29 | MOLEX INCORPORATED | | |
| | 30 OVER | ±0.3 | APPROVED BY N.UKITA | DATE '05/06/29 | DOCUMENT NO. SD-51441-013 | SHEET NO. 1 OF 3 | |
| REV D | DESCRIPTION | ANGULAR ±3 ° | MATERIAL NO. SEE TABLE | | THIS DRAWING CONTAINS INFORMATION THAT IS PROPRIETARY TO MOLEX INCORPORATED AND SHOULD NOT BE USED WITHOUT WRITTEN PERMISSION | | |

10 9 8 7 6 5 4 3 2 1

F

E

D

C

B

A

F

E

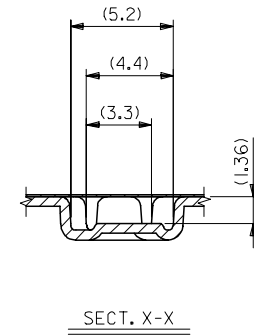
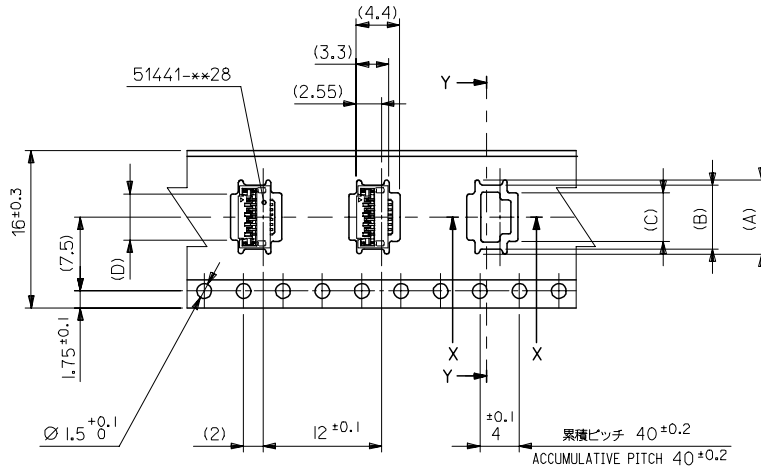
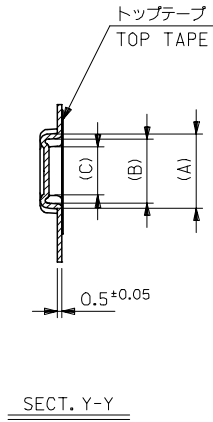
D

C

B

A

引き出し方向
PULL OUT DIRECTION



16 mm幅キャリアテープ
16mm WIDTH CARRIER TAPE

| | | | | | | | | |
|--------------------------------|------|------|-----|------|-----|-----|--------------|------------|
| 16 | 21.4 | 17.4 | 4.7 | 4.89 | 6.5 | 7.5 | 51441-0872 | 8 |
| キャリアテープ幅 CARRIER TAPE WIDTH | G | E | (D) | (C) | (B) | (A) | MATERIAL NO. | 枚数 CKT. |

| | | | | | | | | | |
|---|---|--|--|--|--|------------------------------|---------------------|--|--|
| REVISED EC NO: J2008-2016 DRW:HYAJIMA 2007/11/21 CHKD:THARUYAMA 2007/11/22 APPR:NUKITA 2007/11/22 | DESCRIPTION GENERAL TOLERANCES (UNLESS SPECIFIED) | DIMENSION STYLE MM ONLY | | SCALE | DESIGN UNITS | MODEL No. 51441-**72 | | | |
| | | 10 UNDER ±0.2 10 OVER 30 UNDER ±0.25 30 OVER ±0.3 | | --- | METRIC | THIRD ANGLE PROJECTION | | | |
| | | ANGULAR ±3 ° | | DRAWN BY DATE M. NABEI '05/06/29 | TITLE EMBSTP PKG FOR 0.5 FPC CONN E/O BTM CONT | | | | |
| | | DRAFT WHERE APPLICABLE MUST REMAIN WITHIN DIMENSIONS | | CHECKED BY DATE K. TOYODA '05/06/29 | MOLEX INCORPORATED | | | | |
| | | | | APPROVED BY DATE N. UKITA '05/06/29 | MATERIAL NO. SEE TABLE | DOCUMENT NO. SD-51441-013 | SHEET No. 2 OF 3 | | |

10 9 8 7 6 5 4 3 2 1

F

E

D

C

B

A

F

E

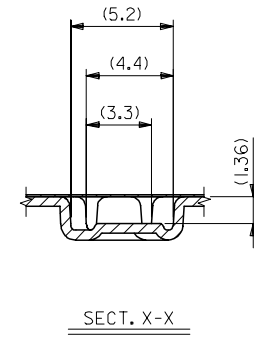
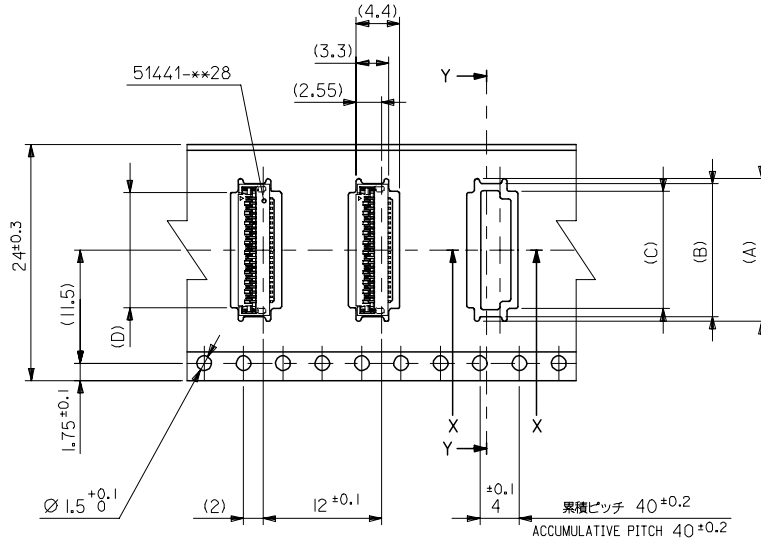
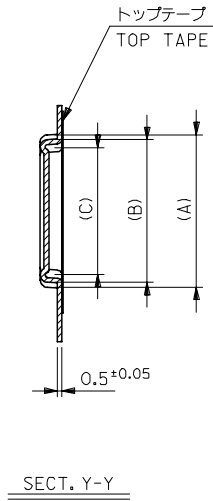
D

C

B

A

引き出し方向
PULL OUT DIRECTION



24mm幅キャリアテープ
24mm WIDTH CARRIER TAPE

| | | | | | | | | |
|--------------------------------|------|------|------|-------|------|--------------|------------|----|
| 24 | 29.4 | 25.4 | 12.7 | 12.89 | 14.5 | 15.5 | 51441-2472 | 24 |
| | | | 11.7 | 11.89 | 13.5 | 14.5 | 51441-2272 | 22 |
| | | | 10.7 | 10.89 | 12.5 | 13.5 | 51441-2072 | 20 |
| | | | 9.7 | 9.89 | 11.5 | 12.5 | 51441-1872 | 18 |
| | | | 6.7 | 6.89 | 8.5 | 9.5 | 51441-1272 | 12 |
| | | | 6.2 | 6.39 | 8.0 | 9.0 | 51441-1172 | 11 |
| | | | 5.7 | 5.89 | 7.5 | 8.5 | 51441-1072 | 10 |
| キャリアテープ幅 CARRIER TAPE WIDTH | G | E | (D) | (B) | (A) | MATERIAL NO. | 機能 CKT. | |

| | | | | | | | | |
|---|--|------------|----------------------------|--|--|------------------------|--|--|
| REVISED EC NO: J2008-2016 DRW:HYAJIMA 2007/11/21 CHKD:THARUYAMA 2007/11/22 APPR:NUKITA 2007/11/22 | GENERAL TOLERANCES (UNLESS SPECIFIED) | | DIMENSION STYLE MM ONLY | | SCALE --- | DESIGN UNITS METRIC | MODEL No. THIRD ANGLE PROJECTION | |
| | 10 UNDER | ±0.2 | DRAWN BY M.NABEI | DATE '05/06/29 | TITLE EMBSTP PKG FOR 0.5 FPC CONN E/O BTM CONT | | | |
| | 10 OVER 30 UNDER | ±0.25 | CHECKED BY K.TOYODA | DATE '05/06/29 | MOLEX INCORPORATED | | | |
| | 30 OVER | ±0.3 | APPROVED BY N.NUKITA | DATE '05/06/29 | | | | |
| | ANGULAR | ±3 ° | MATERIAL NO. | | DOCUMENT NO. SD-51441-013 | SHEET NO. 3 OF 3 | | |
| DRAFT WHERE APPLICABLE MUST REMAIN WITHIN DIMENSIONS | | SIZE A3 | | THIS DRAWING CONTAINS INFORMATION THAT IS PROPRIETARY TO MOLEX INCORPORATED AND SHOULD NOT BE USED WITHOUT WRITTEN PERMISSION | | | | |