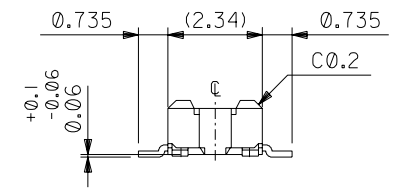
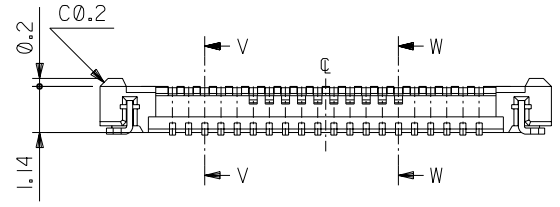
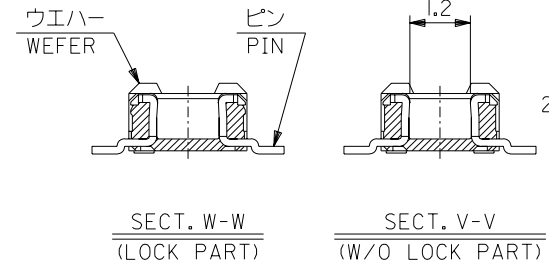
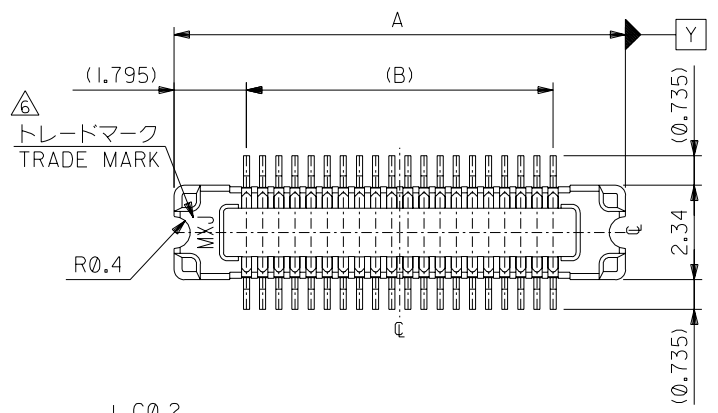


DO NOT SCALE DRAWING

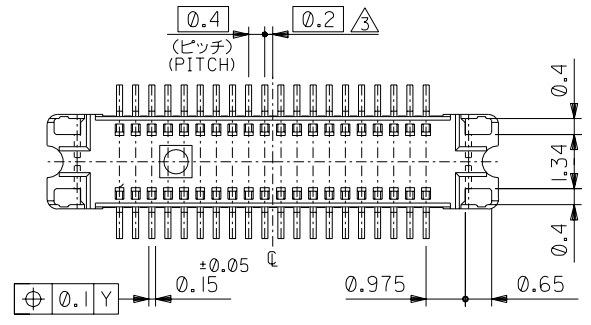
DWG. NO. SD-55604-010

注記 NOTES

- 使用材料 MATERIAL
 ウエハー: 液晶ポリマー ガラス充填 UL 94V-0 (黒)
 WAFER: LIQUID CRYSTAL POLYMER (GLASS FILLED)
 UL 94V-0 (COLOR: BLACK)
 ピン: 黄銅 (t=0.15)
 PIN: BRASS (t=0.15)
 金具: リン青銅 (t=0.15)
 FITTING NAIL: PHOSPHOR BRONZE (t=0.15)
- メッキ仕様 PLATING
 ピン PIN
 金メッキ 0.25マイクロメートル以上 (コンタクト部)
 GOLD 0.25MICROMETER MINIMUM (CONTACT AREA)
 金メッキ 0.4マイクロメートル以下 (テール部)
 GOLD 0.4MICROMETER MAXIMUM (TAIL AREA)
 下地メッキ: ニッケルメッキ 1.5マイクロメートル以上
 UNDER PLATING: NICKEL 1.5MICROMETER MINIMUM
 金具 FITTING NAIL
 錫メッキ 1.0マイクロメートル以上
 TIN 1.0MICROMETER MINIMUM
 下地メッキ: ニッケルメッキ 1.0マイクロメートル以上
 UNDER PLATING: NICKEL 1.0MICROMETER MINIMUM
- (全極数/2) = 偶数の場合に適用。
 APPLY FOR (CIRCUIT/2) = EVEN
- 嵌合相手: 54765 シリーズ
 MATE WITH: 54765 SERIES.
- テール平坦度は、0.08以下
 テール及び金具の平坦度は、0.1以下
 TAIL COPLANARITY TO BE 0.08MAXIMUM.
 TAIL AND FITTING NAIL
 COPLANARITY TO BE 0.1 MAXIMUM.
- 24極のみ、MXJトレードマークの向きが逆となる。
 FOR 24 CIRCUIT, MXJ TRADE MARK IS REVERSED.
- 本製品は 55604-***5 の鉛フリー品である。
 THIS PRODUCT IS LEAD FREE OF 55604-***5



POSITION LOCK 123 ----- N=2N-IN

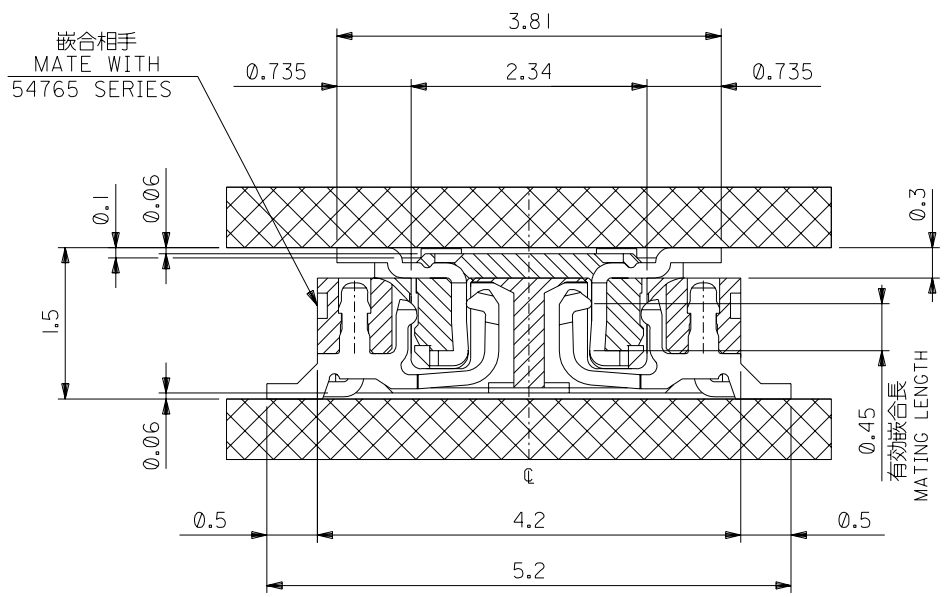


NONE	15.6	19.19	55604-8009	80
	13.6	17.19	55604-7009	70
6,7,8,9,10,16,17,18,19,20	9.6	13.19	55604-5009	50
6,7,8,9,10,11,12,13,14,15,16,17	8.4	11.99	55604-4409	44
2,4,6,7,8,9,10,11,12,13,14,15,17,19	7.6	11.19	55604-4009	40
ALL	5.6	9.19	55604-3009	30
	4.4	7.99	55604-2409	24
	4.0	7.59	55604-2209	22
LOCK POSITION	B	A	MATERIAL NO.	Ck+

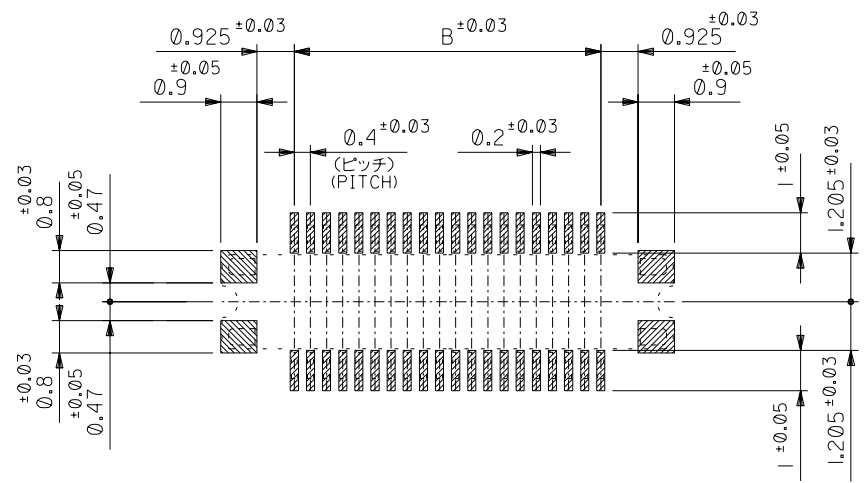
EC NO. DRWN: CHK: APPR:	EC NO. DRWN: CHK: APPR:	EC NO. DRWN: CHK: APPR:	EC NO. DRWN: CHK: APPR:	RELEASED '04/2/19	MATERIAL 材料	注記参照 SEE NOTES	GENERAL TOLERANCES: (UNLESS SPECIFIED) 一般公差	SCALE	DESIGN UNITS	THIRD ANGLE PROJECTION	DIMENSIONS:	SHT	REV
				EC NO. J2004-2534			FINISH 仕上げ	10 UNDER 未満	±0.2	DRAWN BY & DATE H.SHIMABUKURO '02/2/19	TITLE: -LEAD FREE- 0.4 B-To-B PLUG Assy WITH GUIDE (Hgt=1.5)	mm <input type="checkbox"/> INCH <input type="checkbox"/> mm ONLY <input checked="" type="checkbox"/>	REVISE ON CAD ONLY
				DRWN: H.SHIMABUKURO				10 OVER 30 UNDER 未満	±0.25	CHECKED BY & DATE K.TOJO '02/2/19			
				CHK: K.TOJO				30 OVER 以上	±0.3	APPROVED BY & DATE M.SASAO '02/2/19			
				APPR: M.SASAO				ANGLE 角度	±3°	CAD FILENAME			
0	REV	INS. RANGE 被覆外径			5560410.S01	MATERIAL NO.	DRAWING NO.	SHEET NO.					
						SEE CHART	SD-55604-010	1 OF 2					
THIS DRAWING CONTAINS INFORMATION THAT IS PROPRIETARY TO MOLEX INCORPORATED AND SHOULD NOT BE USED WITHOUT WRITTEN PERMISSION.											SIZE B		

SD-55604-010.S01

8 7 6 5 4 3 2 1



嵌合断面図 (参考)
MATED DRAWING (REFERENCE)



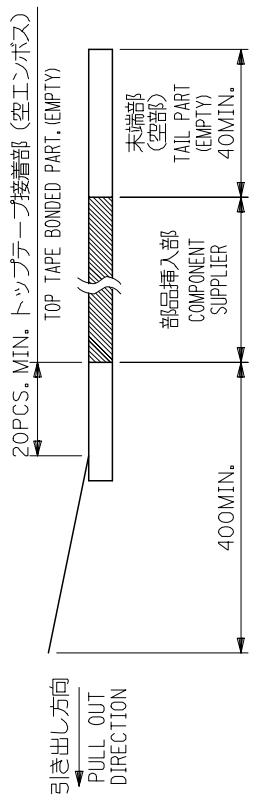
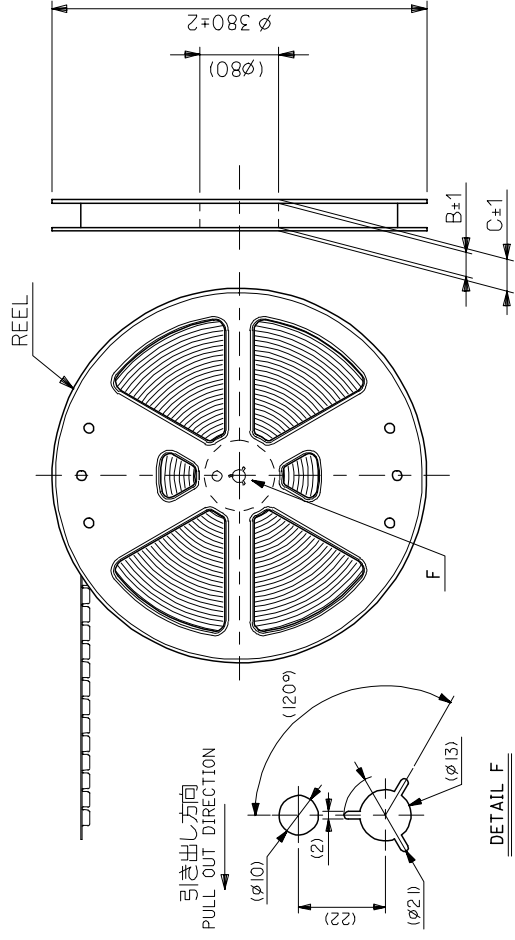
参考基板レイアウト (マウント面)
P.C. BOARD PATTERN DIMENSION (REFERENCE)
(MOUNTING AREA)

EC NO. DRWN: CHK: APPR:		EC NO. DRWN: CHK: APPR:		EC NO. DRWN: CHK: APPR:		EC NO. DRWN: CHK: APPR:		EC NO. DRWN: CHK: APPR:		RELEASED '04/2/19 EC NO. J2004-2534 DRWN:H.SHIMABUKURO CHK: K.TOJO APPR: M.SASAO		MATERIAL 材料 注記参照 SEE NOTES		GENERAL TOLERANCES: (UNLESS SPECIFIED) 一般公差		SCALE 1/1		DESIGN UNITS <input checked="" type="checkbox"/> mm <input type="checkbox"/> INCH		MODEL NO. 55604-**-09		DIMENSIONS: <input type="checkbox"/> mm <input type="checkbox"/> INCH <input checked="" type="checkbox"/> mm ONLY		SHT REV	
												FINISH 仕上げ //		10 UNDER 未満 ±0.2		DRAWN BY & DATE H.SHIMABUKURO '04/2/19		TITLE: -LEAD FREE- 0.4 B-To-B PLUG Assy WITH GUIDE (Hgt=1.5)		REVISION ON CAD ONLY					
												WIRE RANGE 適用電線範囲 //		10 OVER 30 UNDER 以上 未満 ±0.25		CHECKED BY & DATE K.TOJO '04/2/19		MOLEX MOLEX INCORPORATED		SHEET NO. 2 OF 2					
												INS. RANGE 被覆外径 //		30 OVER 以上 ±0.3		APPROVED BY & DATE M.SASAO '04/2/19		MATERIAL NO. SEE CHART		DRAWING NO. SD-55604-010		SIZE B			
														ANGLE 角度 ±3°		CAD FILENAME 55604010.S02		THIS DRAWING CONTAINS INFORMATION THAT IS PROPRIETARY TO MOLEX INCORPORATED AND SHOULD NOT BE USED WITHOUT WRITTEN PERMISSION.		EN-02J(097) MXJ-54					

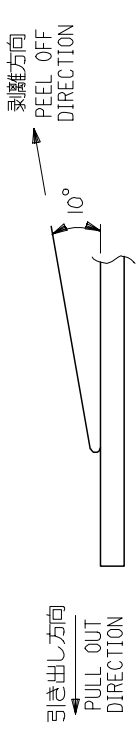
8 7 6 5 4 3 2 1

注記 NOTES

1. 製品詳細寸法については図面 SD-55604-010 を参照下さい。
RE DETAILED DIMENSION, SEE SD-55604-010
2. 梱包数量: 2500個/リール
NUMBER OF CONNECTORS: 2500PCS/REEL
3. リードテープ長さ LEAD TAPE LENGTH



4. トップテープの剥離強度: 0.1N ~ 1.3N(10gf ~ 130gf)
(剥離方向は下図参照)
尚、本規格値は出荷時に適用。(但し、輸送時に剥離が発生しないこと。)
PEELING OFF FORCE OF TOP TAPE: 0.1N ~ 1.3N(10gf ~ 130gf)
(PEELING DIRECTION AS SHOWN IN FOLLOWING FIG.)
THIS REQUIREMENT SHOULD BE APPLIED AT SHIPMENT.
PEEL OFF SHOULD NOT BE ALLOWED, DURING TRANSPORTATION.

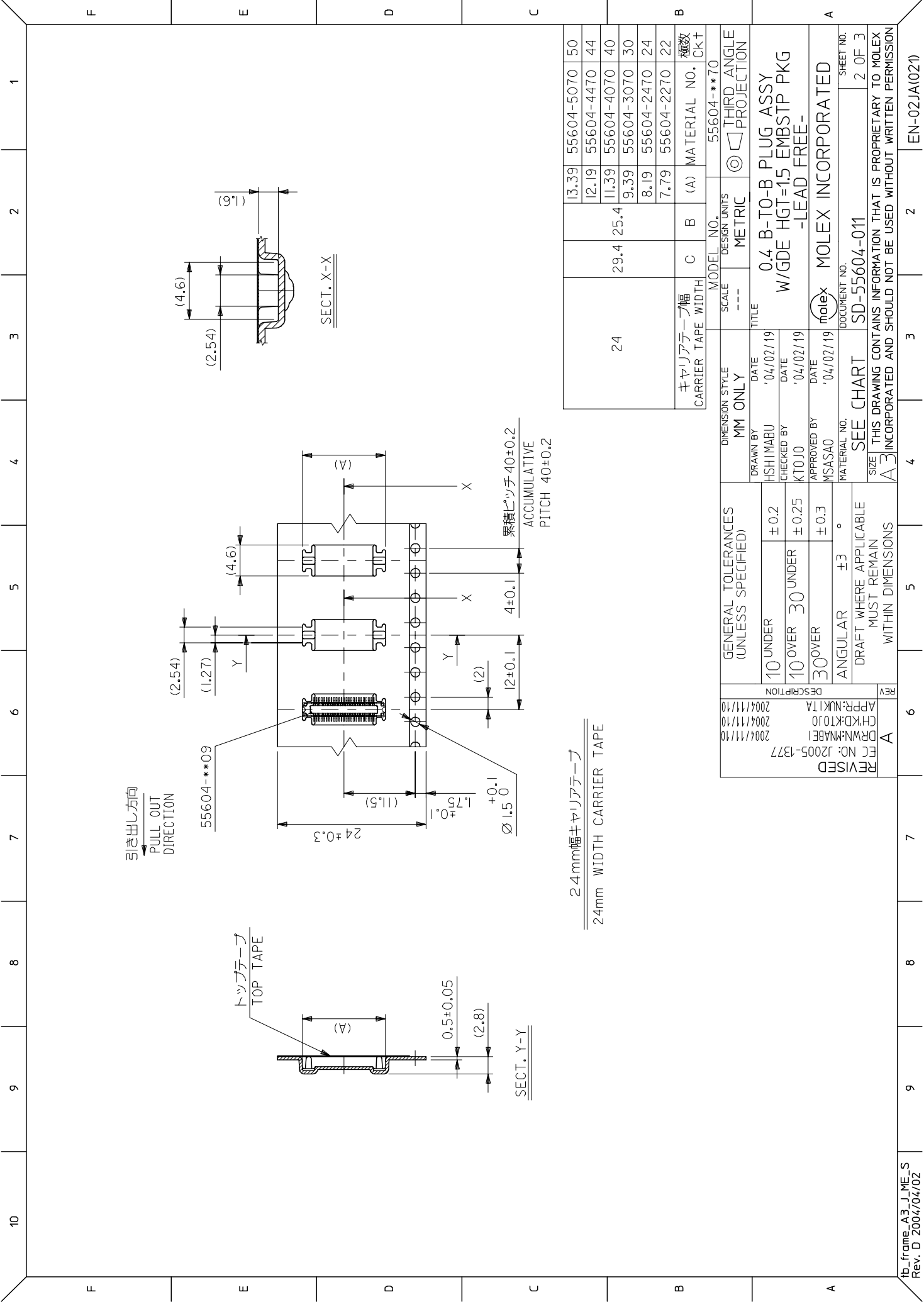


5. 材料 MATERIAL

キャリアテープ (CARRIER TAPE): ポリプロピレン (POLYPROPYLENE)
トップテープ (TOPTAPE): PET, PE, PEF
リール (REEL): ポリスチレン (PS) <リサイクル材を含む>
POLYSTYRENE (PS) <RECYCLE MATERIAL CONTAINED>
6. 本製品は 55604-***6 の鉛フリー品である。
THIS PRODUCT IS LEAD FREE OF 55604-***6

GENERAL TOLERANCES (UNLESS SPECIFIED)		MODEL NO.	55604-***70
10 UNDER	±0.2	DESIGN UNITS	METRIC
10 OVER	30 UNDER	SCALE	---
30 OVER	±0.25	DIMENSION STYLE	MM ONLY
ANGULAR	±0.3	DATE	'04/02/19
DRAFT WHERE APPLICABLE MUST REMAIN WITHIN DIMENSIONS		CHECKED BY	KTOJO
		APPROVED BY	MSASAO
		DATE	'04/02/19
		MATERIAL NO.	SEE CHART
		DOCUMENT NO.	SD-55604-011
		SHEET NO.	1 OF 3
		0.4 B-T0-B PLUG ASSY W/GDE HGT=1.5 EMBSTP PKG -LEAD FREE-	
		MOLEX INCORPORATED	
		THIS DRAWING CONTAINS INFORMATION THAT IS PROPRIETARY TO MOLEX INCORPORATED AND SHOULD NOT BE USED WITHOUT WRITTEN PERMISSION	

REVISED	EC NO: J2005-1377
DRWN:NNABEI	2004/11/10
CHKD:KTOJO	2004/11/10
APP:NUKITA	2004/11/10

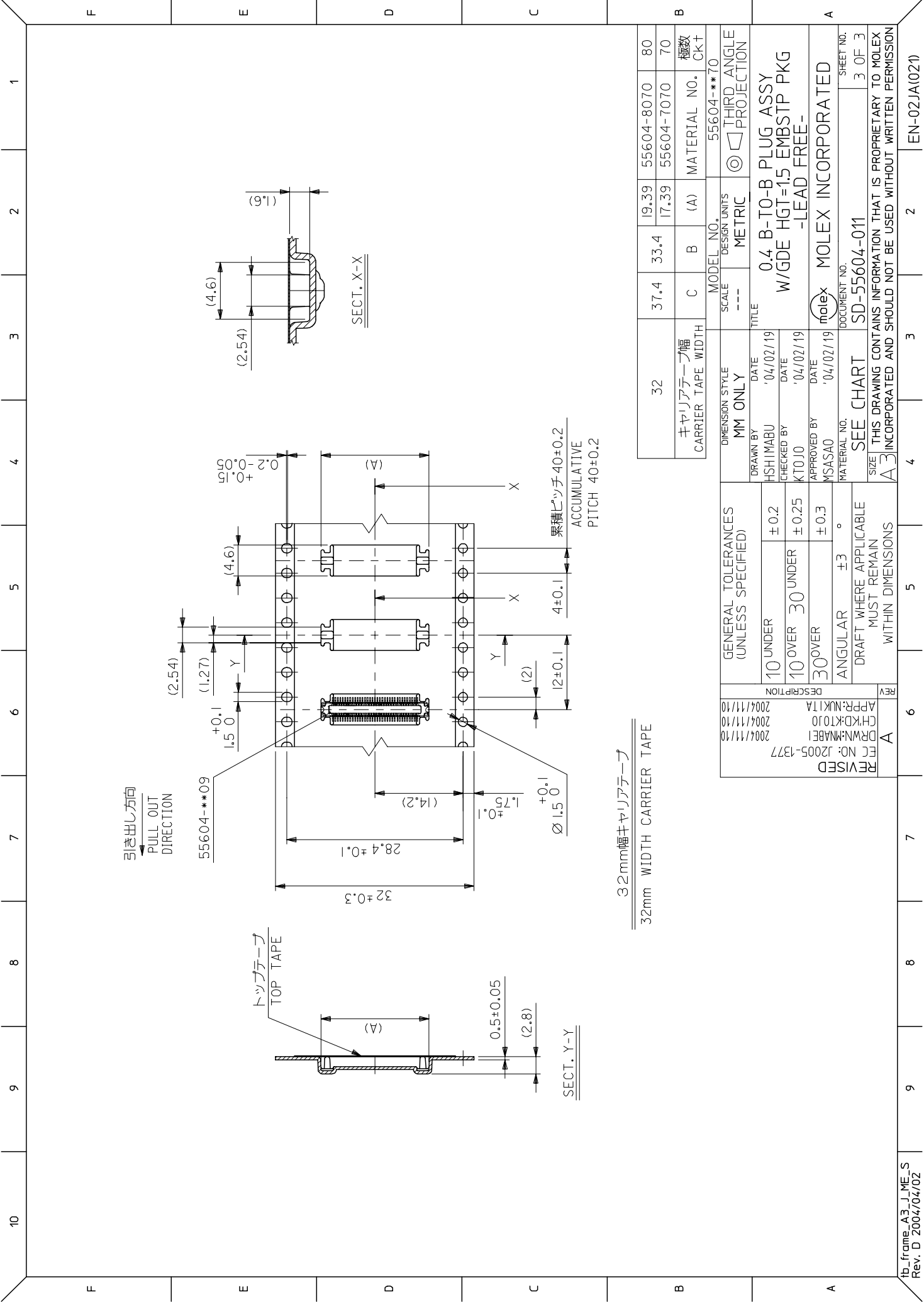


24mm幅キャリアテープ
24mm WIDTH CARRIER TAPE

24	13.39	55604-5070	50
	12.19	55604-4470	44
	11.39	55604-4070	40
	9.39	55604-3070	30
	8.19	55604-2470	24
	7.79	55604-2270	22
キャリアテープ幅 CARRIER TAPE WIDTH	C	B	(A) MATERIAL NO. CK+
MODEL NO.	55604-**70		
SCALE	---	DESIGN UNITS	METRIC
DIMENSION STYLE	MM ONLY	THIRD ANGLE	PROJECTION
DRAWN BY	DATE '04/02/19		
FSHIMABU	DATE '04/02/19		
CHECKED BY	DATE '04/02/19		
KITOJO	DATE '04/02/19		
APPROVED BY	DATE '04/02/19		
MSASAO	DATE '04/02/19		
MATERIAL NO.	SEE CHART		
DOCUMENT NO.	SD-55604-011		
SHEET NO.	2 OF 3		

GENERAL TOLERANCES (UNLESS SPECIFIED)	10 UNDER ±0.2
	10 OVER 30 UNDER ±0.25
	30 OVER ±0.3
ANGULAR	±3 °
DRAFT WHERE APPLICABLE MUST REMAIN WITHIN DIMENSIONS	
DESCRIPTION	REV
APP:NUK11A 2004/11/10	A
CHKD:KTOJO 2004/11/10	
DRWN:NNABEI 2004/11/10	
EC NO: J2005-1377	
REVISED	

TITLE		0.4 B-T0-B PLUG ASSY W/GDE HGT=1.5 EMBSTP PKG -LEAD FREE-	
MODEL NO.	55604-**70	SCALE	---
DESIGN UNITS	METRIC	THIRD ANGLE	PROJECTION
DIMENSION STYLE	MM ONLY	DRAWN BY	DATE '04/02/19
FSHIMABU		CHECKED BY	DATE '04/02/19
KITOJO		APPROVED BY	DATE '04/02/19
MSASAO		MATERIAL NO.	SEE CHART
DOCUMENT NO.	SD-55604-011	SHEET NO.	2 OF 3
THIS DRAWING CONTAINS INFORMATION THAT IS PROPRIETARY TO MOLEX INCORPORATED AND SHOULD NOT BE USED WITHOUT WRITTEN PERMISSION			



32	37.4	33.4	19.39	55604-8070	80
キャリアテープ幅 CARRIER TAPE WIDTH	C	B	(A)	MATERIAL NO. CK+	極数
MODEL NO. 55604-**70		SCALE ---	DESIGN UNITS METRIC	THIRD ANGLE PROJECTION	

DIMENSION STYLE MM ONLY		TITLE		0.4 B-T0-B PLUG ASSY W/GDE HGT=1.5 EMBSTP PKG -LEAD FREE-	
DRAWN BY HSHIMABU	DATE '04/02/19	CHECKED BY KITOJO	DATE '04/02/19	APPROVED BY MSASAO	DATE '04/02/19
GENERAL TOLERANCES (UNLESS SPECIFIED)			MOLEX INCORPORATED		
10 UNDER	±0.2	DOCUMENT NO. SD-55604-011			
10 OVER	30 UNDER	SEE CHART			
30 OVER	±0.25	SIZE THIS DRAWING CONTAINS INFORMATION THAT IS PROPRIETARY TO MOLEX INCORPORATED AND SHOULD NOT BE USED WITHOUT WRITTEN PERMISSION			
ANGULAR	±0.3	A3 INCORPORATED AND SHOULD NOT BE USED WITHOUT WRITTEN PERMISSION			
DRAFT WHERE APPLICABLE MUST REMAIN WITHIN DIMENSIONS			SHEET NO. 3 OF 3		

REVISED	EC NO. J2005-1377	DRWN:NNABEI	2004/11/10	CHKD:KTOJO	2004/11/10	APPR:NUKITA	2004/11/10
DESCRIPTION							