

**REVISIONS**

LTR	DESCRIPTION	DATE (YR-MO-DA)	APPROVED

REV																					
SHEET																					
REV																					
SHEET	15	16	17	18	19	20	21	22	23												

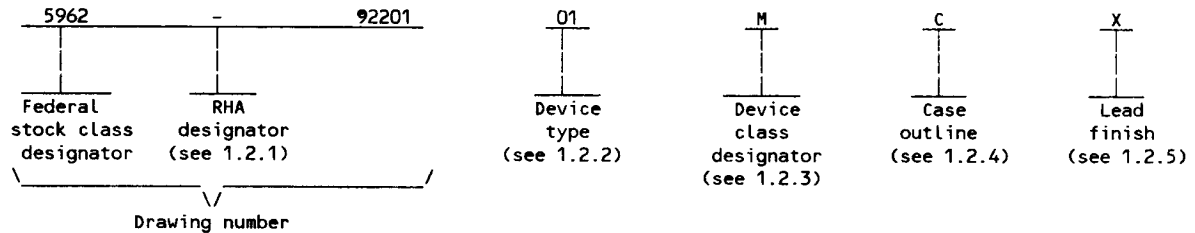
REV STATUS OF SHEETS	REV																				
	SHEET	1	2	3	4	5	6	7	8	9	10	11	12	13	14						

<p align="center"><b>STANDARDIZED MILITARY DRAWING</b></p> <p>THIS DRAWING IS AVAILABLE FOR USE BY ALL DEPARTMENTS AND AGENCIES OF THE DEPARTMENT OF DEFENSE</p> <p>AMSC N/A</p>	PMIC N/A	PREPARED BY Larry T. Gauder	DEFENSE ELECTRONICS SUPPLY CENTER DAYTON, OHIO 45444		
		CHECKED BY Thomas J. Ricciuti			
		APPROVED BY Monica L. Poelking			
		DRAWING APPROVAL DATE 93-06-03			
		REVISION LEVEL	MICROCIRCUIT, DIGITAL, CMOS, NINE BIT PARITY GENERATOR/CHECKER MONOLITHIC SILICON		
	SIZE <b>A</b>	CAGE CODE <b>67268</b>	<b>5962-92201</b>		
	SHEET	1	OF	23	1

1. SCOPE

1.1 Scope. This drawing forms a part of a one part - one part number documentation system (see 6.6 herein). Two product assurance classes consisting of military high reliability (device classes B, Q, and M) and space application (device classes S and V), and a choice of case outlines and lead finishes are available and are reflected in the Part or Identifying Number (PIN). Device class M microcircuits represent non-JAN class B microcircuits in accordance with 1.2.1 of MIL-STD-883, "Provisions for the use of MIL-STD-883 in conjunction with compliant non-JAN devices". When available, a choice of radiation hardness assurance (RHA) levels are reflected in the PIN.

1.2 PIN. The PIN shall be as shown in the following example:



1.2.1 RHA designator. Device classes M, B, and S RHA marked devices shall meet the MIL-M-38510 specified RHA levels and shall be marked with the appropriate RHA designator. Device classes Q and V RHA marked devices shall meet the MIL-I-38535 specified RHA levels and shall be marked with the appropriate RHA designator. A dash (-) indicates a non-RHA device.

1.2.2 Device type(s). The device type(s) shall identify the circuit function as follows:

<u>Device type</u>	<u>Generic number</u>	<u>Circuit function</u>
01	54AC280	Nine-bit parity generator/checker

1.2.3 Device class designator. The device class designator shall be a single letter identifying the product assurance level as follows:

<u>Device class</u>	<u>Device requirements documentation</u>
M	Vendor self-certification to the requirements for non-JAN class B microcircuits in accordance with 1.2.1 of MIL-STD-883
B or S	Certification and qualification to MIL-M-38510
Q or V	Certification and qualification to MIL-I-38535

1.2.4 Case outline(s). The case outline(s) shall be as designated in MIL-STD-1835, and as follows:

<u>Outline letter</u>	<u>Descriptive designator</u>	<u>Terminals</u>	<u>Package style</u>
C	GDIP1-T14 or CDIP2-T14	14	Dual-in-line
D	GDIP1-F14 or CDFP2-F14	14	Flat
2	CQCC1-N20	20	Leadless-chip-carrier

1.2.5 Lead finish. The lead finish shall be as specified in MIL-M-38510 for classes M, B, and S or MIL-I-38535 for classes Q and V. Finish letter "X" shall not be marked on the microcircuit or its packaging. The "X" designation is for use in specifications when lead finishes A, B, and C are considered acceptable and interchangeable without preference.

<b>STANDARDIZED MILITARY DRAWING DEFENSE ELECTRONICS SUPPLY CENTER DAYTON, OHIO 45444</b>	<b>SIZE A</b>		5962-92201
		REVISION LEVEL	SHEET 2

1.3 Absolute maximum ratings. 1/ 2/ 3/

Supply voltage range ( $V_{CC}$ )	- - - - -	-0.5 V dc to +6.0 V dc
DC input voltage range ( $V_{IN}$ )	- - - - -	-0.5 V dc to $V_{CC} + 0.5$ V dc
DC output voltage range ( $V_{OUT}$ )	- - - - -	-0.5 V dc to $V_{CC} + 0.5$ V dc
DC input diode current ( $I_{IK}$ ) ( $V_{IN} = -0.5$ V to $V_{CC} + 0.5$ V)	- - - - -	$\pm 20$ mA
DC output diode current ( $I_{OK}$ ) ( $V_{OUT} = -0.5$ V to $V_{CC} + 0.5$ V)	- - - - -	$\pm 20$ mA
DC output current ( $I_{OUT}$ ) per output pin	- - - - -	$\pm 50$ mA
DC $V_{CC}$ or GND current ( $I_{CC}$ , $I_{GND}$ ) per pin	- - - - -	$\pm 100$ mA
Storage temperature range ( $T_{STG}$ )	- - - - -	-65°C to +150°C
Maximum power dissipation ( $P_D$ )	- - - - -	500 mW
Lead temperature (soldering, 10 seconds)	- - - - -	+300°C
Thermal resistance, junction-to-case ( $\Theta_{JC}$ )	- - - - -	See MIL-STD-1835
Junction temperature ( $T_J$ )	- - - - -	+175°C
Case operating temperature ( $T_C$ )	- - - - -	-55°C to +125°C

1.4 Recommended operating conditions. 1/ 2/ 3/ 4/

Supply voltage range ( $V_{CC}$ )	- - - - -	+3.0 V dc to +5.5 V dc
Input voltage range ( $V_{IN}$ )	- - - - -	+0.0 V dc to $V_{CC}$
Output voltage range ( $V_{OUT}$ )	- - - - -	+0.0 V dc to $V_{CC}$
Maximum low level input voltage ( $V_{IL}$ )	- - - - -	0.90 V dc at $V_{CC} = 3.0$ V dc 1.35 V dc at $V_{CC} = 4.5$ V dc 1.65 V dc at $V_{CC} = 5.5$ V dc
Minimum high level input voltage ( $V_{IH}$ )	- - - - -	2.10 V dc at $V_{CC} = 3.0$ V dc 3.15 V dc at $V_{CC} = 4.5$ V dc 3.85 V dc at $V_{CC} = 5.5$ V dc
Case operating temperature range ( $T_C$ )	- - - - -	-55°C to +125°C
Input edge rate ( $\Delta V/\Delta t$ ) minimum: ( $V_{IN}$ from 30% to 70% of $V_{CC}$ )	- - - - -	125 mV/ns
Maximum low level output current ( $I_{OL}$ )	- - - - -	24 mA at $V_{CC} = 3.0$ V and 3.6 V dc 24 mA at $V_{CC} = 4.5$ V and 5.5 V dc
Maximum high level output current ( $I_{OH}$ )	- - - - -	-12 mA at $V_{CC} = 3.0$ V and 3.6 V dc -24 mA at $V_{CC} = 4.5$ V and 5.5 V dc

1.5 Digital logic testing for device classes Q and V.

Fault coverage measurement of manufacturing logic tests (MIL-STD-883, test method 5012)	- - - - -	XX percent 5/
---	-----------	---------------

- 1/ Stresses above the absolute maximum rating may cause permanent damage to the device. Extended operation at the maximum levels may degrade performance and affect reliability. The maximum junction temperature may be exceeded for allowable short duration burn-in screening conditions in accordance with method 5004 of MIL-STD-883.
- 2/ Unless otherwise noted, all voltages are referenced to GND.
- 3/ The limits for the parameters specified herein shall apply over the full specified  $V_{CC}$  range and case temperature range of -55°C to +125°C.
- 4/ Operation from 2.0 V dc to 3.0 V dc is provided for compatibility with data retention and battery back up systems. Data retention implies no input transitions and no stored data loss with the following conditions:  $V_{IH} \geq 70$  percent of  $V_{CC}$ ,  $V_{IL} \leq 30$  percent of  $V_{CC}$ ,  $V_{OH} \geq 70$  percent of  $V_{CC}$  at -20  $\mu$ A,  $V_{OL} \leq 30$  percent of  $V_{CC}$  at 20  $\mu$ A.
- 5/ Values will be added when they become available from the qualified source.

<b>STANDARDIZED MILITARY DRAWING</b> DEFENSE ELECTRONICS SUPPLY CENTER DAYTON, OHIO 45444	<b>SIZE A</b>		5962-92201
		REVISION LEVEL	SHEET 3

2. APPLICABLE DOCUMENTS

2.1 Government specifications, standards, bulletin, and handbook. Unless otherwise specified, the following specifications, standards, bulletin, and handbook of the issue listed in that issue of the Department of Defense Index of Specifications and Standards specified in the solicitation, form a part of this drawing to the extent specified herein.

SPECIFICATIONS

MILITARY

- MIL-M-38510 - Microcircuits, General Specification for.
- MIL-I-38535 - Integrated Circuits, Manufacturing, General Specification for.

STANDARDS

MILITARY

- MIL-STD-480 - Configuration Control-Engineering Changes, Deviations and Waivers.
- MIL-STD-883 - Test Methods and Procedures for Microelectronics.
- MIL-STD-1835 - Microcircuit Case Outlines.

BULLETIN

MILITARY

- MIL-BUL-103 - List of Standardized Military Drawings (SMD's).

HANDBOOK

MILITARY

- MIL-HDBK-780 - Standardized Military Drawings.

(Copies of the specifications, standards, bulletin, and handbook required by manufacturers in connection with specific acquisition functions should be obtained from the contracting activity or as directed by the contracting activity.)

2.2 Non-Government publications. The following document(s) form a part of this document to the extent specified herein. Unless otherwise specified, the issues of the documents which are DOD adopted are those listed in the issue of the DODISS cited in the solicitation. Unless otherwise specified, the issues of documents not listed in the DODISS are the issues of the documents cited in the solicitation.

ELECTRONIC INDUSTRIES ASSOCIATION (EIA)

- JEDEC Standard No. 17 - A Standardized Test Procedure for the Characterization of the LATCH-UP in CMOS Integrated Circuits.

- JEDEC Standard No. 20 - Standardized for Description of 54/74ACXXXX and 54/74ACTXXXX Advanced High-Speed CMOS Devices.

(Applications for copies should be addressed to the Electronics Industries Association, 2001 Eye Street, NW, Washington, DC 20006.)

(Non-Government standards and other publications are normally available from the organizations that prepare or distribute the documents. These documents may also be available in or through libraries or other informational services.)

2.3 Order of precedence. In the event of a conflict between the text of this drawing and the references cited herein, the text of this drawing shall take precedence.

<b>STANDARDIZED MILITARY DRAWING DEFENSE ELECTRONICS SUPPLY CENTER DAYTON, OHIO 45444</b>	<b>SIZE A</b>		5962-92201
		REVISION LEVEL	SHEET 4

DESC FORM 193A  
JUL 91

### 3. REQUIREMENTS

3.1 Item requirements. The individual item requirements for device class M shall be in accordance with 1.2.1 of MIL-STD-883, "Provisions for the use of MIL-STD-883 in conjunction with compliant non-JAN devices" and as specified herein. The individual item requirements for device classes B and S shall be in accordance with MIL-M-38510 and as specified herein. This is a fully characterized military detail specification and is suitable for qualification of device classes B and S to the requirements of MIL-M-38510. The individual item requirements for device classes Q and V shall be in accordance with MIL-I-38535, the device manufacturer's Quality Management (QM) plan, and as specified herein.

3.2 Design, construction, and physical dimensions. The design, construction, and physical dimensions shall be as specified in MIL-M-38510 for device classes M, B, and S and MIL-I-38535 for device classes Q and V and herein.

3.2.1 Case outline(s). The case outline(s) shall be in accordance with 1.2.4 herein.

3.2.2 Terminal connections. The terminal connections shall be as specified on figure 1.

3.2.3 Truth table. The truth table shall be as specified on figure 2.

3.2.4 Logic diagram. The logic diagram shall be as specified on figure 3.

3.2.5 Switching waveforms and test circuit. The switching waveforms and test circuit shall be as specified on figure 4.

3.2.6 Schematic circuits. The schematic circuits shall be submitted to the preparing activity prior to the inclusion of a manufacturer's device in this drawing and shall be submitted to the qualifying activity as a prerequisite for qualification for device classes B and S. All qualified manufacturer's schematics shall be maintained and available upon request.

3.3 Electrical performance characteristics and postirradiation parameter limits. Unless otherwise specified herein, the electrical performance characteristics and postirradiation parameter limits are as specified in table I and shall apply over the full case operating temperature range. Test conditions for these specified characteristics and limits are as specified in table I. For device classes B and S, a pin-for-pin conditions and testing sequence for table I parameters shall be maintained and available upon request from the qualifying activity, on qualified devices.

3.4 Electrical test requirements. The electrical test requirements shall be the subgroups specified in table II. The electrical tests for each subgroup are defined in table I.

3.5 Marking. The part shall be marked with the PIN listed in 1.2 herein. Marking for device class M shall be in accordance with MIL-STD-883 (see 3.1 herein). In addition, the manufacturer's PIN may also be marked as listed in MIL-BUL-103. Marking for device classes B and S shall be in accordance with MIL-M-38510. Marking for device classes Q and V shall be in accordance with MIL-I-38535.

3.5.1 Certification/compliance mark. The compliance mark for device class M shall be a "C" as required in MIL-STD-883 (see 3.1 herein). The certification mark for device classes B and S shall be a "J" or "JAN" as required in MIL-M-38510. The certification mark for device classes Q and V shall be a "QML" as required in MIL-I-38535.

3.5.2 Correctness of indexing and marking for device classes B and S. For device classes B and S, all devices shall be subjected to the final electrical tests specified in table II after PIN marking (marked in accordance with MIL-M-38510) to verify that they are correctly indexed and identified by PIN. Optionally, an approved electrical test may be devised especially for this requirement.

3.6 Certificate of compliance. For device class M, a certificate of compliance shall be required from a manufacturer in order to be listed as an approved source of supply in MIL-BUL-103 (see 6.7.3 herein). For device classes Q and V, a certificate of compliance shall be required from a QML-38535 listed manufacturer in order to supply to the requirements of this drawing (see 6.7.2 herein). The certificate of compliance submitted to DESC-EC prior to listing as an approved source of supply for this drawing shall affirm that the manufacturer's product meets, for device class M the requirements of MIL-STD-883 (see 3.1 herein), or for device classes Q and V, the requirements of MIL-I-38535 and the requirements herein.

3.7 Certificate of conformance. A certificate of conformance as required for device class M in MIL-STD-883 (see 3.1 herein) or device classes B and S in MIL-M-38510 or for device classes Q and V in MIL-I-38535 shall be provided with each lot of microcircuits delivered to this drawing.

STANDARDIZED MILITARY DRAWING DEFENSE ELECTRONICS SUPPLY CENTER DAYTON, OHIO 45444	SIZE A		5962-92201
		REVISION LEVEL	SHEET 5

DESC FORM 193A  
JUL 91

3.8 Notification of change for device class M. For device class M, notification to DESC-EC of change of product (see 6.2 herein) involving devices acquired to this drawing is required for any change as defined in MIL-STD-480.

3.9 Verification and review for device class M. For device class M, DESC, DESC's agent, and the acquiring activity retain the option to review the manufacturer's facility and applicable required documentation. Offshore documentation shall be made available onshore at the option of the reviewer.

3.10 Microcircuit group assignment for device classes M, B, and S. Device classes M, B, and S devices covered by this drawing shall be in microcircuit group number 39 (see MIL-M-38510, appendix E).

3.11 Serialization for device class S. All device class S devices shall be serialized in accordance with MIL-M-38510.

#### 4. QUALITY ASSURANCE PROVISIONS

4.1 Sampling and inspection. For device class M, sampling and inspection procedures shall be in accordance with section 4 of MIL-M-38510 to the extent specified in MIL-STD-883 (see 3.1 herein). For device class B, sampling and inspection procedures shall be in accordance with MIL-M-38510 and method 5005 of MIL-STD-883, except as modified herein. For device class S, sampling and inspection procedures shall be in accordance with MIL-M-38510, and methods 5005 and 5007 of MIL-STD-883, except as modified herein. For device classes Q and V, sampling and inspection procedures shall be in accordance with MIL-I-38535 and the device manufacturer's QM plan.

4.1.1 Burn-in and life test circuits. For device classes B and S, the burn-in and life test circuits shall be constructed so that the devices are stressed at the maximum operating conditions stated in 4.2.1a5 or 4.2.1a6 as applicable, or equivalent, as approved by the qualifying activity.

<b>STANDARDIZED MILITARY DRAWING DEFENSE ELECTRONICS SUPPLY CENTER DAYTON, OHIO 45444</b>	<b>SIZE A</b>		5962-92201
		REVISION LEVEL	SHEET 6

DESC FORM 193A  
JUL 91

TABLE I. Electrical performance characteristics.

Test and MIL-STD-883 test method 1/	Symbol	Test conditions 2/ -55°C ≤ T <sub>C</sub> ≤ +125°C 3.0 V ≤ V <sub>CC</sub> ≤ 5.5 V unless otherwise specified	Device type 3/ and device class	V <sub>CC</sub>	Group A subgroups	Limits 2/		Unit
						Min	Max	
High level output voltage 3006	V <sub>OH1</sub> 4/	For all inputs affecting output under test V <sub>IN</sub> = V <sub>IH</sub> or V <sub>IL</sub> V <sub>IH</sub> = 2.10 V V <sub>IL</sub> = 0.90 V For all other inputs V <sub>IN</sub> = V <sub>CC</sub> or GND I <sub>OH</sub> = -50 μA	All All	3.0 V	1,2,3	2.9		V
	V <sub>OH2</sub> 4/	For all inputs affecting output under test V <sub>IN</sub> = V <sub>IH</sub> or V <sub>IL</sub> V <sub>IH</sub> = 3.15 V V <sub>IL</sub> = 1.35 V For all other inputs V <sub>IN</sub> = V <sub>CC</sub> or GND I <sub>OH</sub> = -50 μA	All All	4.5 V	1,2,3	4.4		V
	V <sub>OH3</sub>	For all inputs affecting output under test V <sub>IN</sub> = V <sub>IH</sub> or V <sub>IL</sub> V <sub>IH</sub> = 3.85 V V <sub>IL</sub> = 1.65 V For all other inputs V <sub>IN</sub> = V <sub>CC</sub> or GND I <sub>OH</sub> = -50 μA	All All	5.5 V	1,2,3	5.4		V
	V <sub>OH4</sub> 4/	For all inputs affecting output under test V <sub>IN</sub> = V <sub>IH</sub> or V <sub>IL</sub> V <sub>IH</sub> = 2.10 V V <sub>IL</sub> = 0.90 V For all other inputs V <sub>IN</sub> = V <sub>CC</sub> or GND I <sub>OH</sub> = -4.0 mA	All All	3.0 V	1,2,3	2.4		V
	V <sub>OH5</sub>	For all inputs affecting output under test V <sub>IN</sub> = V <sub>IH</sub> or V <sub>IL</sub> V <sub>IH</sub> = 3.15 V V <sub>IL</sub> = 1.35 V For all other inputs V <sub>IN</sub> = V <sub>CC</sub> or GND I <sub>OH</sub> = -24 mA	All All	4.5 V	1,2,3	3.7		V

See footnotes at end of table

STANDARDIZED  
MILITARY DRAWING  
DEFENSE ELECTRONICS SUPPLY CENTER  
DAYTON, OHIO 45444

SIZE  
▲

5962-92201

REVISION LEVEL

SHEET

7

TABLE I. Electrical performance characteristics - Continued.

Test and MIL-STD-833 test method 1/	Symbol	Test conditions 2/ -55°C ≤ T <sub>c</sub> ≤ +125°C 3.0 V ≤ V <sub>CC</sub> ≤ 5.5 V unless otherwise specified	Device type 3/ and device class	V <sub>CC</sub>	Group A subgroups	Limits 2/		Unit
						Min	Max	
High level output voltage 3006	V <sub>OH6</sub> 4/	For all inputs affecting output under test V <sub>IN</sub> = V <sub>IH</sub> or V <sub>IL</sub> V <sub>IH</sub> = 3.85 V V <sub>IL</sub> = 1.65 V For all other inputs V <sub>IN</sub> = V <sub>CC</sub> or GND I <sub>OH</sub> = -24 mA	ALL ALL	5.5 V	1,2,3	4.7		V
	V <sub>OH7</sub> 5/	For all inputs affecting output under test V <sub>IN</sub> = V <sub>IH</sub> or V <sub>IL</sub> V <sub>IH</sub> = 3.85 V V <sub>IL</sub> = 1.65 V For all other inputs V <sub>IN</sub> = V <sub>CC</sub> or GND I <sub>OH</sub> = -50 mA	ALL ALL	5.5 V	1,2,3	3.85		V
Low level output voltage 3007	V <sub>OL1</sub> 4/	For all inputs affecting output under test V <sub>IN</sub> = V <sub>IH</sub> or V <sub>IL</sub> V <sub>IH</sub> = 2.10 V V <sub>IL</sub> = 0.90 V For all other inputs V <sub>IN</sub> = V <sub>CC</sub> or GND I <sub>OL</sub> = 50 μA	ALL ALL	3.0 V	1,2,3		0.1	V
	V <sub>OL2</sub> 4/	For all inputs affecting output under test V <sub>IN</sub> = V <sub>IH</sub> or V <sub>IL</sub> V <sub>IH</sub> = 3.15 V V <sub>IL</sub> = 1.35 V For all other inputs V <sub>IN</sub> = V <sub>CC</sub> or GND I <sub>OL</sub> = 50 μA	ALL ALL	4.5 V	1,2,3		0.1	V
	V <sub>OL3</sub>	For all inputs affecting output under test V <sub>IN</sub> = V <sub>IH</sub> or V <sub>IL</sub> V <sub>IH</sub> = 3.85 V V <sub>IL</sub> = 1.65 V For all other inputs V <sub>IN</sub> = V <sub>CC</sub> or GND I <sub>OL</sub> = 50 μA	ALL ALL	5.5 V	1,2,3		0.1	V

See footnotes at end of table.

STANDARDIZED  
MILITARY DRAWING  
DEFENSE ELECTRONICS SUPPLY CENTER  
DAYTON, OHIO 45444

SIZE  
▲

5962-92201

REVISION LEVEL

SHEET  
8



TABLE I. Electrical performance characteristics - Continued.

Test and MIL-STD-883 test method 1/	Symbol	Test conditions 2/ -55°C ≤ T <sub>c</sub> ≤ +125°C 3.0 V ≤ V <sub>CC</sub> ≤ 5.5 V unless otherwise specified	Device type 3/ and device class	V <sub>CC</sub>	Group A subgroups	Limits 2/		Unit
						Min	Max	
Low level output voltage 3007	V <sub>OL4</sub> 4/	For all inputs affecting output under test V <sub>IN</sub> = V <sub>IH</sub> or V <sub>IL</sub> V <sub>IH</sub> = 2.10 V V <sub>IL</sub> = 0.90 V For all other inputs V <sub>IN</sub> = V <sub>CC</sub> or GND I <sub>OL</sub> = 12 mA	ALL B,S,Q,V	3.0 V	1,3		0.4	V
					2		0.5	
			ALL M		1		0.4	
			2,3			0.5		
V <sub>OL5</sub>	For all inputs affecting output under test V <sub>IN</sub> = V <sub>IH</sub> or V <sub>IL</sub> V <sub>IH</sub> = 3.15 V V <sub>IL</sub> = 1.35 V For all other inputs V <sub>IN</sub> = V <sub>CC</sub> or GND I <sub>OL</sub> = 24 mA	ALL B,S,Q,V	4.5 V	1,3		0.4	V	
				2		0.5		
		ALL M		1		0.4		
		2,3			0.5			
V <sub>OL6</sub> 4/	For all inputs affecting output under test V <sub>IN</sub> = V <sub>IH</sub> or V <sub>IL</sub> V <sub>IH</sub> = 3.85 V V <sub>IL</sub> = 1.65 V For all other inputs V <sub>IN</sub> = V <sub>CC</sub> or GND I <sub>OL</sub> = 24 mA	ALL B,S,Q,V	5.5 V	1,3		0.4	V	
				2		0.5		
		ALL M		1		0.4		
		2,3			0.5			
V <sub>OL7</sub> 5/	For all inputs affecting output under test V <sub>IN</sub> = V <sub>IH</sub> or V <sub>IL</sub> V <sub>IH</sub> = 3.85 V V <sub>IL</sub> = 1.65 V For all other inputs V <sub>IN</sub> = V <sub>CC</sub> or GND I <sub>OL</sub> = 50 mA	ALL ALL	5.5 V	1,2,3		1.65	V	
Positive input clamp voltage 3022	V <sub>IC+</sub>	V <sub>CC</sub> = GND For input under test I <sub>IN</sub> = 1 mA	ALL B,S,Q,V		1	0.4	1.5	V
Negative input clamp voltage 3022	V <sub>IC-</sub>	V <sub>CC</sub> = Open For input under test I <sub>IN</sub> = -1 mA	ALL B,S,Q,V		1	-0.4	-1.5	V

See footnotes at end of table.

<b>STANDARDIZED MILITARY DRAWING DEFENSE ELECTRONICS SUPPLY CENTER DAYTON, OHIO 45444</b>	<b>SIZE A</b>		<b>5962-92201</b>
		<b>REVISION LEVEL</b>	<b>SHEET 9</b>

DESC FORM 193A  
JUL 91

TABLE I. Electrical performance characteristics - Continued.

Test and MIL-STD-883 test method <u>1/</u>	Symbol	Test conditions <u>2/</u> -55°C ≤ T <sub>C</sub> ≤ +125°C 3.0 V ≤ V <sub>CC</sub> ≤ 5.5 V unless otherwise specified	Device type <u>3/</u> and device class	V <sub>CC</sub>	Group A subgroups	Limits <u>2/</u>		Unit
						Min	Max	
Input current high 3010	I <sub>IH</sub>	For input under test V <sub>IN</sub> = V <sub>CC</sub> For all other inputs V <sub>IN</sub> = V <sub>CC</sub> or GND	ALL B,S,Q,V	5.5 V	1		0.1	μA
					2		1.0	
			ALL M		1		0.1	
					2,3		1.0	
Input current low 3009	I <sub>IL</sub>	For input under test V <sub>IN</sub> = GND For all other inputs V <sub>IN</sub> = V <sub>CC</sub> or GND	ALL B,S,Q,V	5.5 V	1		-0.1	μA
					2		-1.0	
			ALL M		1		-0.1	
					2,3		-1.0	
Input capacitance 3012	C <sub>IN</sub>	See 4.4.1c T <sub>C</sub> = +25°C	ALL ALL	GND	4		10	pF
Power dissipation capacitance	C <sub>PD</sub> <u>6/</u>	See 4.4.1c T <sub>C</sub> = +25°C	ALL ALL	5.0 V	4		95	pF
Quiescent supply current output high 3005	I <sub>CCH</sub>	For all inputs V <sub>IN</sub> = V <sub>CC</sub> or GND	ALL B,S,Q,V	5.5 V	1		2.0	μA
					2		40.0	
			ALL M		1		8.0	
					2,3		160.0	
Quiescent supply current output low 3005	I <sub>CCL</sub>	For all inputs V <sub>IN</sub> = V <sub>CC</sub> or GND	ALL B,S,Q,V	5.5 V	1		2.0	μA
					2		40.0	
			ALL M		1		8.0	
					2,3		160.0	

See footnotes at end of table.

STANDARDIZED  
MILITARY DRAWING  
DEFENSE ELECTRONICS SUPPLY CENTER  
DAYTON, OHIO 45444

SIZE  
▲

5962-92201

REVISION LEVEL

SHEET  
10

TABLE I. Electrical performance characteristics - Continued.

Test and MIL-STD-883 test method <u>1/</u>	Symbol	Test conditions <u>2/</u> -55°C ≤ T <sub>C</sub> ≤ +125°C 3.0 V ≤ V <sub>CC</sub> ≤ 5.5 V unless otherwise specified	Device type <u>3/</u> and device class	V <sub>CC</sub>	Group A subgroups	Limits <u>2/</u>		Unit
						Min	Max	
Latch-up input/output over-voltage	I <sub>CC</sub> (0/V1) <u>7/</u>	t <sub>w</sub> ≥ 100 μs t <sub>cool</sub> ≥ t <sub>w</sub> 5 μs ≤ t <sub>r</sub> ≤ 5 ms 5 μs ≤ t <sub>f</sub> ≤ 5 ms V <sub>test</sub> = 6.0 V V <sub>CCQ</sub> = 5.5 V V <sub>over</sub> = 10.5 V	ALL B,S,Q,V	5.5 V	2		200	mA
Latch-up input/output positive over-current	I <sub>CC</sub> (0/I1+) <u>7/</u>	t <sub>w</sub> ≥ 100 μs t <sub>cool</sub> ≥ t <sub>w</sub> 5 μs ≤ t <sub>r</sub> ≤ 5 ms 5 μs ≤ t <sub>f</sub> ≤ 5 ms V <sub>test</sub> = 6.0 V V <sub>CCQ</sub> = 5.5 V I <sub>trigger</sub> = +120 mA	ALL B,S,Q,V	5.5 V	2		200	mA
Latch-up input/output negative over-current	I <sub>CC</sub> (0/I1-) <u>7/</u>	t <sub>w</sub> ≥ 100 μs t <sub>cool</sub> ≥ t <sub>w</sub> 5 μs ≤ t <sub>r</sub> ≤ 5 ms 5 μs ≤ t <sub>f</sub> ≤ 5 ms V <sub>test</sub> = 6.0 V V <sub>CCQ</sub> = 5.5 V I <sub>trigger</sub> = -120 mA	ALL B,S,Q,V	5.5 V	2		200	mA
Latch-up supply over-voltage	I <sub>CC</sub> (0/V2) <u>7/</u>	t <sub>w</sub> ≥ 100 μs t <sub>cool</sub> ≥ t <sub>w</sub> 5 μs ≤ t <sub>r</sub> ≤ 5 ms 5 μs ≤ t <sub>f</sub> ≤ 5 ms V <sub>test</sub> = 6.0 V V <sub>CCQ</sub> = 5.5 V V <sub>over</sub> = 9.0 V	ALL B,S,Q,V	5.5 V	2		100	mA
Truth table test output voltage 3014	<u>8/</u>	V <sub>IL</sub> = 0.45 V V <sub>IH</sub> = 2.5 V Verify output V <sub>O</sub>	ALL ALL	3.0 V	7	L	H	
		V <sub>IL</sub> = 0.6 V V <sub>IH</sub> = 3.7 V Verify output V <sub>O</sub>	ALL ALL	4.5 V	7,8	L	H	

See footnotes at end of table.

STANDARDIZED  
MILITARY DRAWING  
DEFENSE ELECTRONICS SUPPLY CENTER  
DAYTON, OHIO 45444

SIZE  
A

5962-92201

REVISION LEVEL

SHEET  
11

TABLE I. Electrical performance characteristics - Continued.

Test and MIL-STD-883 test method <u>1/</u>	Symbol	Test conditions <u>2/</u> -55°C ≤ T <sub>C</sub> ≤ +125°C 3.0 V ≤ V <sub>CC</sub> ≤ 5.5 V unless otherwise specified	Device type <u>3/</u> and device class	V <sub>CC</sub>	Group A subgroups	Limits <u>2/</u>		Unit
						Min	Max	
Propagation delay time, data to odd parity output In to Σ <sub>O</sub> 3003	t <sub>PHL</sub> , t <sub>PLH</sub> <u>9/ 10/</u>	C <sub>L</sub> = 50 pF minimum, R <sub>L</sub> = 500Ω, See figure 4	ALL B,S,Q,V	3.0 V	9,11	1.0	17.0	ns
						10	1.0	
			ALL M		9	1.0	17.0	
					10,11	1.0	20.0	
		C <sub>L</sub> = 50 pF minimum, R <sub>L</sub> = 500Ω, See figure 4	ALL B,S,Q,V	4.5 V	9,11	1.0	13.0	ns
						10	1.0	
			ALL M		9	1.0	13.0	
					10,11	1.0	14.5	
Propagation delay time, data to even parity output In to Σ <sub>E</sub> 3003	t <sub>PHL</sub> , t <sub>PLH</sub> <u>9/ 10/</u>	C <sub>L</sub> = 50 pF minimum, R <sub>L</sub> = 500Ω, See figure 4	ALL B,S,Q,V	3.0 V	9,11	1.0	17.0	ns
						10	1.0	
			ALL M		9	1.0	17.0	
					10,11	1.0	20.0	
		C <sub>L</sub> = 50 pF minimum, R <sub>L</sub> = 500Ω, See figure 4	ALL B,S,Q,V	4.5 V	9,11	1.0	13.0	ns
						10	1.0	
			ALL M		9	1.0	13.0	
					10,11	1.0	14.5	

1/ For tests not listed in MIL-STD-883 [e.g. I<sub>CC</sub>(0/V1)], utilize the general test procedure under the conditions listed herein. All inputs and outputs shall be tested, as applicable, to the tests in table 1 herein.

2/ Each input/output, as applicable shall be tested at the specified temperature for the specified limits. Output terminals not designated shall be high level logic, low level logic, or open, except as follows:

- a. V<sub>IC</sub> (pos) tests, the GND terminal can be open. T<sub>C</sub> = +25°C.
- b. V<sub>IC</sub> (neg) tests, the V<sub>CC</sub> terminal shall be open. T<sub>C</sub> = +25°C.
- c. For all I<sub>CC</sub> tests, the output terminal shall be open. When performing these tests, the current meter shall be placed in the circuit such that all current flows through the meter.

Additional detailed information on qualified devices (i.e., pin for pin conditions and testing sequence) is available from the qualifying activity (DESC-EQM) upon request. For negative and positive voltage and current values: The sign designates the potential difference in reference to GND and the direction of current flow respectively; and the absolute value of the magnitude, not the sign, is relative to the minimum and maximum limits, as applicable, listed herein.

<b>STANDARDIZED MILITARY DRAWING DEFENSE ELECTRONICS SUPPLY CENTER DAYTON, OHIO 45444</b>	<b>SIZE A</b>		<b>5962-92201</b>
		<b>REVISION LEVEL</b>	<b>SHEET 12</b>

DESC FORM 193A  
JUL 91

TABLE I. Electrical performance characteristics - Continued.

- 3/ The word "ALL" in the device type and device class column, means for all device types and classes.
- 4/ For device classes B and S, this test is guaranteed, if not tested, to the limits specified in table I.
- 5/ Transmission driving tests are performed at  $V_{CC} = 5.5$  V dc with a 2 ms duration maximum. This test may be performed using  $V_{IN} = V_{CC}$  or GND. When  $V_{IN} = V_{CC}$  or GND, the test is guaranteed for  $V_{IN} = V_{IH}$  or  $V_{IL}$ .
- 6/ Power dissipation capacitance ( $C_{PD}$ ) determines the no load dynamic power consumption,  $P_D = (C_{PD} + C_L) (V_{CC} \times V_{CC})f + (I_{CC} \times V_{CC})$ . The dynamic current consumption,  $I_S = (C_{PD} + C_L) V_{CC}f + I_{CC}$ . For both  $P_D$  and  $I_S$ ,  $f$  is the frequency of the input signal.
- 7/ See JEDEC Standard No. 17 for electrically induced latch-up test methods and procedures. The values listed for  $V_{trigger}$ ,  $I_{trigger}$ , and  $V_{over}$ , are to be accurate within  $\pm 5$  percent.
- 8/ Tests shall be performed in sequence, attributes data only. Functional tests shall include the truth table and other logic patterns used for fault detection. Functional tests shall be performed in sequence as approved by the qualifying activity on qualified devices.  $H \geq 2.5$  V,  $L < 2.5$  V; high inputs = 3.7 V and low inputs = 0.6 V for  $V_{CC} = 4.5$  V and  $H \geq 1.5$  V,  $L < 1.5$  V; high inputs = 2.5 V and low inputs = 0.45 V for  $V_{CC} = 3.0$  V. The input voltage levels have the allowable tolerances in accordance with MIL-STD-883 already incorporated. For device classes B and S, functional tests at  $V_{CC} = 3.0$  V are guaranteed, if not tested.
- 9/ Device classes B and S are tested at  $V_{CC} = 3.0$  V and  $V_{CC} = 4.5$  V at  $T_C = +125^\circ\text{C}$  for sample testing and at  $V_{CC} = 3.0$  V and  $V_{CC} = 4.5$  V at  $T_C = +25^\circ\text{C}$  for screening. Other voltages of  $V_{CC}$  and temperatures are guaranteed, if not tested, see 4.4.1d.
- 10/ AC limits at  $V_{CC} = 5.5$  V are equal to the limits at  $V_{CC} = 4.5$  V and guaranteed by testing at  $V_{CC} = 4.5$  V. Minimum ac limits for  $V_{CC} = 5.5$  V are 1.0 ns and guaranteed by guardbanding the  $V_{CC} = 4.5$  V minimum limits to 1.5 ns. For propagation delay tests, all paths must be tested.

<b>STANDARDIZED MILITARY DRAWING DEFENSE ELECTRONICS SUPPLY CENTER DAYTON, OHIO 45444</b>	<b>SIZE A</b>		<b>5962-92201</b>
		<b>REVISION LEVEL</b>	<b>SHEET 13</b>

DESC FORM 193A  
JUL 91

Device type 01		
Case outlines	C AND D	2
Terminal number	Terminal symbol	
1	I6	NC
2	I7	I6
3	NC	I7
4	I8	NC
5	$\Sigma E$	NC
6	$\Sigma O$	I8
7	GND	NC
8	I0	$\Sigma E$
9	I1	$\Sigma O$
10	I2	GND
11	I3	NC
12	I4	I0
13	I5	I1
14	V <sub>CC</sub>	I2
15	---	NC
16	---	I3
17	---	NC
18	---	I4
19	---	I5
20	---	V <sub>CC</sub>

Terminal Description	
Terminal symbol	Description
In (n = 0 to 8)	Data inputs
$\Sigma O$	Odd parity output
$\Sigma E$	Even parity output

FIGURE 1. Terminal connections.

<b>STANDARDIZED MILITARY DRAWING DEFENSE ELECTRONICS SUPPLY CENTER DAYTON, OHIO 45444</b>	<b>SIZE A</b>		5962-92201
		REVISION LEVEL	SHEET 14

DESC FORM 193A  
JUL 91

Device type 01		
Number of HIGH Inputs I0 to I8	Outputs	
	$\Sigma E$	$\Sigma O$
0, 2, 4, 6, 8	H	L
1, 3, 5, 7, 9	L	H

H = High voltage level  
L = Low voltage level

FIGURE 2. Truth table.

<b>STANDARDIZED MILITARY DRAWING DEFENSE ELECTRONICS SUPPLY CENTER DAYTON, OHIO 45444</b>	<b>SIZE A</b>		<b>5962-92201</b>
		<b>REVISION LEVEL</b>	<b>SHEET 15</b>

DESC FORM 193A  
JUL 91

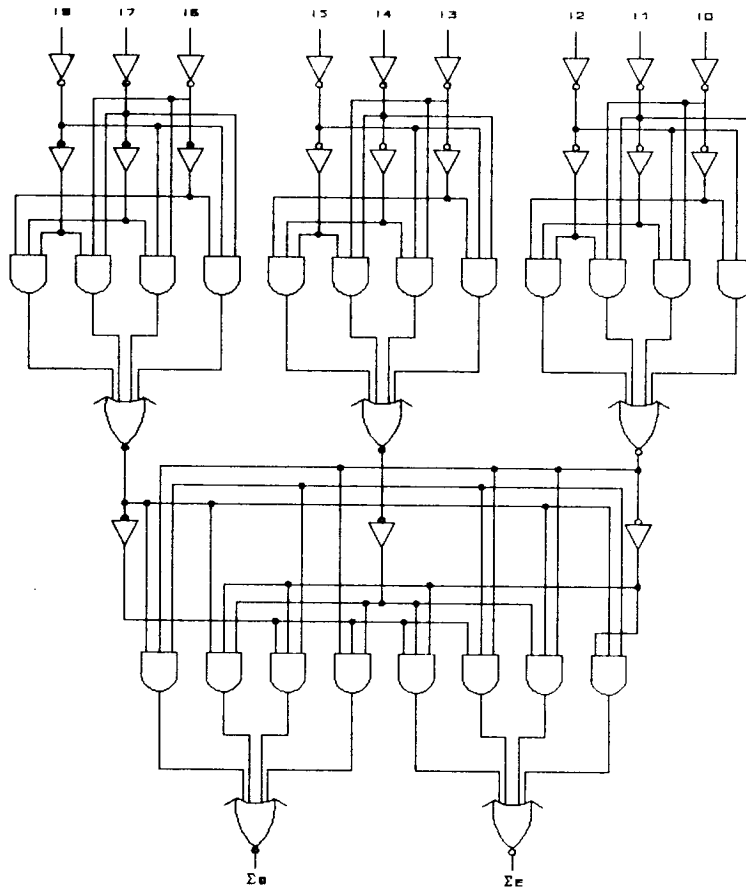
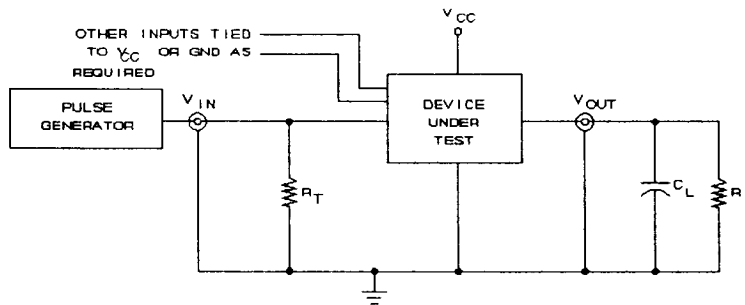
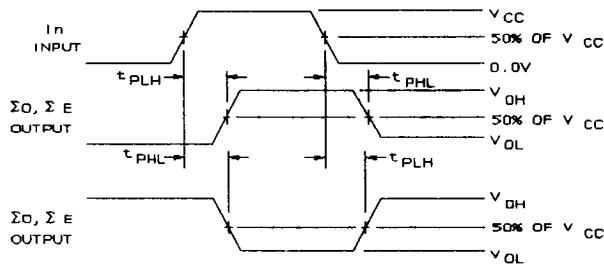


FIGURE 3. Logic diagram.

<b>STANDARDIZED MILITARY DRAWING DEFENSE ELECTRONICS SUPPLY CENTER DAYTON, OHIO 45444</b>	<b>SIZE ▲</b>		5962-92201
		<b>REVISION LEVEL</b>	<b>SHEET 16</b>

DESC FORM 193A  
JUL 91





NOTES:

1.  $C_L = 50$  pF minimum or equivalent (includes test jig and probe capacitance)
2.  $R_L = 500\Omega$  or equivalent
3.  $R_T = 50\Omega$  or equivalent
4. Input signal from pulse generator:  $V_{IN} = 0.0$  V to  $V_{CC}$ ; PRR  $\leq 10$  MHz; duty cycle = 50 percent;  $t_r \leq 2.5$  ns;  $t_f \leq 2.5$  ns;  $t_r$  and  $t_f$  shall be measured from 10% of  $V_{CC}$  to 90% of  $V_{CC}$ , and 90% of  $V_{CC}$  to 10% of  $V_{CC}$  respectively.
5. Timing parameters shall be tested at a minimum input frequency of 1 MHz.
6. The outputs are measured one at a time with one transition per measurement.

FIGURE 4. Switching waveforms and test circuit.

STANDARDIZED MILITARY DRAWING DEFENSE ELECTRONICS SUPPLY CENTER DAYTON, OHIO 45444	SIZE A		5962-92201
		REVISION LEVEL	SHEET 17

DESC FORM 193A  
 JUL 91

4.2 **Screening.** For device class M, screening shall be in accordance with method 5004 of MIL-STD-883, and shall be conducted on all devices prior to quality conformance inspection. For device classes B and S, screening shall be in accordance with method 5004 of MIL-STD-883, and shall be conducted on all devices prior to qualification and quality conformance inspection. For device classes Q and V, screening shall be in accordance with MIL-I-38535, and shall be conducted on all devices prior to qualification and technology conformance inspection. The following additional criteria shall apply.

4.2.1 **Additional criteria for device classes M, B, and S.**

a. **Burn-in test, method 1015 of MIL-STD-883.**

- (1) Test condition A, B, C, or D. For device class M, the test circuit shall be maintained by the manufacturer under document revision level control and shall be made available to the preparing or acquiring activity upon request. For device classes B and S, the test circuit shall be submitted to the qualifying activity. For device classes M, B, and S, the test circuit shall specify the inputs, outputs, biases, and power dissipation, as applicable, in accordance with the intent specified in test method 1015.
- (2)  $T_A = +125^\circ\text{C}$ , minimum.
- (3) Delete the sequence specified in 3.1.10 through 3.1.14 of method 5004 and substitute the first 7 test requirements of table II herein.
- (4) For device class M, unless otherwise specified, the requirements for device class B in method 1015 of MIL-STD-883 shall be followed.
- (5) Static burn-in, device classes B and S, test condition A, test method 1015 of MIL-STD-883. Test duration for each static test shall be 24 hours minimum for class S devices and in accordance with table I of method 1015 for class B devices.
  - (a) For static burn-in I, all inputs shall be connected to GND. Outputs may be open or connected to  $V_{CC}/2 \pm 0.5\text{ V}$ . Resistors R1 are optional on both inputs and open outputs, and required on outputs connected to  $V_{CC}/2 \pm 0.5\text{ V}$ .  $R1 = 220\Omega$  to  $47\text{ k}\Omega$ .
  - (b) For static burn-in II, all inputs shall be connected through the R1 resistors to  $V_{CC}$ . Outputs may be open or connected to  $V_{CC}/2 \pm 0.5\text{ V}$ . Resistors R1 are optional on open outputs, and required on outputs connected to  $V_{CC}/2 \pm 0.5\text{ V}$ .  $R1 = 220\Omega$  to  $47\text{ k}\Omega$ .
  - (c)  $V_{CC} = 5.5\text{ V} + 0.5\text{ V}, -0.00\text{ V}$ .
- (6) Dynamic burn-in, device classes B and S, test condition D, method 1015 of MIL-STD-883,
  - (a) Input resistors =  $220\Omega$  to  $2\text{ k}\Omega \pm 20$  percent.
  - (b) Output resistors =  $220\Omega \pm 20$  percent.
  - (c)  $V_{CC} = 5.5\text{ V} + 0.5\text{ V}, 0.00\text{ V}$ .
  - (d) Input pins  $In$  ( $n = 1$  to  $8$ ) shall be connected through resistors in parallel to  $V_{CC}$ . Input pin I0 shall be connected through a resistor to a clock pulse (CP1). Outputs shall be connected through resistors to  $V_{CC}/2 \pm 0.5\text{ V}$ .
  - (e) CP1 = 25 kHz to 1 MHz square wave; duty cycle = 50 percent  $\pm 15$  percent;  $V_{IH} = 4.5\text{ V}$  to  $V_{CC}$ ,  $V_{IL} = 0\text{ V} \pm 0.5\text{ V}$ ;  $t_r, t_f \leq 100\text{ ns}$ .

b. Interim and final electrical test parameters shall be as specified in table II herein.

c. For class S devices, post dynamic burn-in, or class B devices, post static burn-in, electrical parameter measurements may, at the manufacturer's option, be performed separately or included in the final electrical parameter requirements.

STANDARDIZED MILITARY DRAWING DEFENSE ELECTRONICS SUPPLY CENTER DAYTON, OHIO 45444	SIZE A		5962-92201
		REVISION LEVEL	SHEET 18

TABLE II. Electrical test requirements.

Test requirements, MIL-STD-883 test method (one-part one-part number reference paragraph)	Subgroups 1/ (per method 5005, table I)			Subgroups 1/ (per MIL-I-38535, table III)	
	Device class M	Device 2/ class B	Device 2/ class S	Device class Q	Device class V
Interim electrical parameters, method 5004		1	1	1	1
Static burn-in I, method 1015 (see 4.2.1a)	3/	Not required	Required 4/	Not required	Required 4/
Interim electrical parameters, method 5004 (see 4.2.1b)			1 5/		1 5/
Static burn-in II, method 1015 (see 4.2.1a)	3/	Required 6/	Required 4/	Required 6/	Required 4/
Interim electrical parameters, method 5004 (see 4.2.1b)		1 2/,5/	1 2/,5/	1 2/,5/	1 2/,5/
Dynamic burn-in I, method 1015 (see 4.2.1a)	3/	Not required	Required 4/	Not required	Required 4/
Interim electrical parameters, method 5004 (see 4.2.1b)			1 5/		1 5/
Final electrical parameters, method 5004	1,2,3,7, 2/ 8,9	1,2, 2/ 6/ 7,9	1,2,7,9 2/	1,2,3, 2/,6/ 7,8,9,10,11	1,2,3, 2/ 7,8,9,10,11
Group A test requirements, method 5005 (see 4.4.1)	1,2,3,4,7, 8,9,10,11	1,2,3,4,7, 8,9,10,11	1,2,3,4,7, 8,9,10,11	1,2,3,4,7, 8,9,10,11	1,2,3,4,7, 8,9,10,11
Group B end-point electrical parameters, method 5005 (see 4.4.2)			1,2,3,7, 5/ 8,9,10,11		
Group C end-point electrical parameters, method 5005 (see 4.4.3)	1,2,3	1,2 5/		1,2,3 5/	1,2,3,7, 5/ 8,9,10,11
Group D end-point electrical parameters, method 5005 (see 4.4.4)	1,2,3	1,2	1,2,3	1,2,3	1,2,3
Group E end-point electrical parameters, method 5005 (see 4.4.5)	1,7,9	1,7,9	1,7,9	1,7,9	1,7,9

- 1/ Blank spaces indicate tests are not applicable.
- 2/ PDA applies to subgroup 1 (see 4.2.3). For device classes S and V, PDA applies to subgroups 1 and 7 (see 4.2.3).
- 3/ The burn-in shall meet the requirements of 4.2.1a herein.
- 4/ On all class S lots, the device manufacturer shall maintain read-and-record data (as a minimum on disk) for burn-in electrical parameters (group A, subgroup 1), in accordance with test method 5004 of MIL-STD-883. For pre-burn-in and interim electrical parameters the read-and-record requirements are for delta measurements only.

<b>STANDARDIZED MILITARY DRAWING DEFENSE ELECTRONICS SUPPLY CENTER DAYTON, OHIO 45444</b>	<b>SIZE A</b>		<b>5962-92201</b>
		<b>REVISION LEVEL</b>	<b>SHEET 19</b>

DESC FORM 193A  
JUL 91

TABLE II. Electrical test requirements - Continued.

- 5/ Delta limits shall be required only on table I, subgroup 1. The delta values shall be computed with reference to the previous interim electrical parameters. The delta limits are specified in table III.
- 6/ The device manufacturer may at his option either complete subgroup 1 electrical parameter measurements, including delta measurements, within 96 hours after burn-in completion (removal of bias) or may complete subgroup 1 electrical measurements without delta measurements within 24 hours after burn-in completion (removal of bias). When the manufacturer elects to perform the subgroup 1 electrical parameter measurements without delta measurements, there is no requirement to perform the pre-burn-in electrical tests (first interim electrical parameters test in table II).

TABLE III. Delta limits at +25°C

Parameter 1/	Device types	Limits
I <sub>CCH</sub> , I <sub>CCL</sub>	ALL	±100 nA

1/ These parameters shall be recorded before and after the required burn-in and life tests to determine delta limits.

4.2.2 Additional criteria for device classes Q and V.

- a. The burn-in test duration, test condition and test temperature, or approved alternatives shall be as specified in the device manufacturer's QM plan in accordance with MIL-I-38535. The burn-in test circuit shall be as specified in the device manufacturer's QM plan in accordance with MIL-I-38535. The burn-in test circuit shall be maintained under document revision level control of the device manufacturer's Technology Review Board (TRB) in accordance with MIL-I-38535 and shall be made available to the acquiring or preparing activity upon request. The test circuit shall specify the inputs, outputs, biases, and power dissipation, as applicable, in accordance with the intent specified in test method 1015.
- b. Interim and final electrical test parameters shall be as specified in table II herein.
- c. Additional screening for device class V beyond the requirements of device class Q shall be as specified in appendix B of MIL-I-38535.

4.2.3 Percent defective allowable (PDA).

- a. The PDA for class S devices shall be 5 percent for static burn-in and 5 percent for dynamic burn-in, based on the exact number of devices submitted to each separate burn-in.
- b. Static burn-in I and II failures shall be cumulative for determining the PDA.
- c. The PDA for class B devices shall be in accordance with MIL-M-38510 for static burn-in. Dynamic burn-in is not required.
- d. The PDA for class M devices shall be in accordance with MIL-M-38510 for static burn-in and dynamic burn-in.
- e. Those devices whose measured characteristics, after burn-in, exceed the specified delta limits or electrical parameter limits specified in table I, subgroup 1, are defective and shall be removed from the lot. The verified number of failed devices times 100 divided by the total number of devices in the lot initially submitted to burn-in shall be used to determine the percent defective for the lot and the lot shall be accepted or rejected based on the specified PDA.

<b>STANDARDIZED MILITARY DRAWING DEFENSE ELECTRONICS SUPPLY CENTER DAYTON, OHIO 45444</b>	<b>SIZE ▲</b>		<b>5962-92201</b>
		<b>REVISION LEVEL</b>	<b>SHEET 20</b>

DESC FORM 193A  
JUL 91

**4.3 Qualification inspection.**

4.3.1 Qualification inspection for device classes B and S. Qualification inspection for device classes B and S shall be in accordance with MIL-M-38510. Inspections to be performed shall be those specified in method 5005 of MIL-STD-883 and herein for groups A, B, C, D, and E inspections (see 4.4.1 through 4.4.5).

4.3.2 Qualification inspection for device classes Q and V. Qualification inspection for device classes Q and V shall be in accordance with MIL-I-38535. Inspections to be performed shall be those specified in MIL-I-38535 and herein for groups A, B, C, D, and E inspections (see 4.4.1 through 4.4.5).

4.3.3 Electrostatic discharge sensitivity (ESDS) qualification inspection. ESDS testing shall be performed in accordance with MIL-STD-883, method 3015. ESDS testing shall be measured only for initial qualification and after process or design changes which may affect ESDS classification. For device classes B, S, Q, and V only, those device types that pass ESDS testing at 2,000 volts or greater shall be considered as conforming to the requirements of this specification.

4.4 Conformance inspection. Quality conformance inspection for device class M shall be in accordance with MIL-STD-883 (see 3.1 herein) and as specified herein. Quality conformance inspection for device classes B and S shall be in accordance with MIL-M-38510 and as specified herein. Inspections to be performed for device classes M, B, and S shall be those specified in method 5005 of MIL-STD-883 and herein for groups A, B, C, D, and E inspections (see 4.4.1 through 4.4.5). Technology conformance inspection for classes Q and V shall be in accordance with MIL-I-38535 including groups A, B, C, D, and E inspections and as specified herein except where option 2 of MIL-I-38535 permits alternate in-line control testing.

**4.4.1 Group A inspection.**

- a. Tests shall be as specified in table II herein.
- b. Latch-up tests are required for device classes B, S, Q, and V. These tests shall be performed only for initial qualification and after process or design changes which may affect the performance of the device. Latch-up tests shall be considered destructive. Test all applicable pins on five devices with zero failures.
- c.  $C_{IN}$  and  $C_{PD}$  shall be measured only for initial qualification and after process or design changes which may affect capacitance.  $C_{IN}$  shall be measured between the designated terminal and GND at a frequency of 1 MHz.  $C_{PD}$  shall be tested in accordance with the latest revision of JEDEC Standard No. 20 and table I herein. For  $C_{IN}$  and  $C_{PD}$ , test all applicable pins on five devices with zero failures.
- d. For device classes B and S, subgroups 9 and 11 tests shall be measured only for initial qualification and after process or design changes which may affect dynamic performance.
- e. For device class M, subgroups 7 and 8 tests shall be sufficient to verify the truth table in figure 2 herein. The test vectors used to verify the truth table shall test all possible input to output logic patterns. For device classes B and S, subgroups 7 and 8 tests shall be sufficient to verify the truth table as approved by the qualifying activity. For device classes Q and V, subgroups 7 and 8 shall include verifying the functionality of the device; these tests shall have been fault graded in accordance with MIL-STD-883, test method 5012 (see 1.5 herein).

4.4.2 Group B inspection. The group B inspection end-point electrical parameters shall be as specified in table II herein. For device class S steady-state life tests, the test circuit shall be submitted to the qualifying activity.

- a. Class S steady-state life (accelerated) shall be conducted using test condition D of method 1005 of MIL-STD-883 and the circuit described in 4.2.1a6 herein, or equivalent as approved by the qualifying activity. The actual test circuit used shall be submitted to the qualifying activity.
- b. End-point electrical parameters shall be as specified in table II herein. Delta Limits shall apply only to subgroup 5 of group B inspections and shall consist of tests specified in table III herein.

<b>STANDARDIZED MILITARY DRAWING DEFENSE ELECTRONICS SUPPLY CENTER DAYTON, OHIO 45444</b>	<b>SIZE A</b>		<b>5962-92201</b>
		<b>REVISION LEVEL</b>	<b>SHEET 21</b>

DESC FORM 193A  
JUL 91

4.4.3 Group C inspection. The group C inspection end-point electrical parameters shall be as specified in table II herein.

4.4.3.1 Additional criteria for device classes M and B. Steady-state life test conditions, method 1005 of MIL-STD-883:

- a. End-point electrical parameters shall be as specified in table II herein. Delta limits shall apply only to subgroup 1 of group C inspection and shall consist of tests specified in table III herein.
- b. Steady-state life test conditions, method 1005 of MIL-STD-883:
  - (1) Test condition A, B, C or D. For device class M, the test circuit shall be maintained by the manufacturer under document revision level control and shall be made available to the preparing or acquiring activity upon request. For device class B, the test circuit shall be submitted to the qualifying activity. For device classes M and B, the test circuit shall specify the inputs, outputs, biases, and power dissipation, as applicable, in accordance with the intent specified in test method 1005.
  - (2)  $T_A = +125^\circ\text{C}$ , minimum.
  - (3) Test duration: 1,000 hours, except as permitted by method 1005 of MIL-STD-883.
  - (4) For device class M, unless otherwise noted, the requirements for device class B in method 1005 of MIL-STD-883 shall be followed.

4.4.3.2 Additional criteria for device classes Q and V. The steady-state life test duration, test condition and test temperature, or approved alternatives shall be as specified in the device manufacturer's QM plan in accordance with MIL-I-38535. The test circuit shall be maintained under document revision level control by the device manufacturer's TRB in accordance with MIL-I-38535 and shall be made available to the acquiring or preparing activity upon request. The test circuit shall specify the inputs, outputs, biases, and power dissipation, as applicable, in accordance with the intent specified in test method 1005.

4.4.4 Group D inspection. Group D inspection shall be in accordance with table IV of method 5005 of MIL-STD-883. End-point electrical parameters shall be as specified in table II herein.

4.4.5 Group E inspection. Group E inspection is required only for parts intended to be marked as radiation hardness assured (see 3.5 herein). RHA levels for device classes B, S, Q, and V shall be M, D, R, and H and for device class M shall be M and D.

- a. End-point electrical parameters shall be as specified in table II herein.
- b. For device classes M, B, and S, the devices shall be subjected to radiation hardness assured tests as specified in MIL-M-38510 for the RHA level being tested. For device classes Q and V, the devices or test vehicle shall be subjected to radiation hardness assured tests as specified in MIL-M-38535 for the RHA level being tested. All device classes must meet the postirradiation end-point electrical parameter limits as specified in table I at  $T_A = +25^\circ\text{C}$ , after exposure, to the subgroups specified in table II herein.
- c. When specified in the purchase order or contract, a copy of the RHA delta limits shall be supplied.

4.5 Methods of inspection. Methods of inspection shall be specified as follows.

4.5.1 Voltage and current. Unless otherwise specified, all voltages given are referenced to the microcircuit GND terminal. Currents given are conventional current and positive when flowing into the referenced terminal.

## 5. PACKAGING

5.1 Packaging requirements. The requirements for packaging shall be in accordance with MIL-M-38510 for device classes M, B, and S and MIL-I-38535 for device classes Q and V.

## 6. NOTES

6.1 Intended use. Microcircuits conforming to this drawing are intended for use for Government microcircuit applications (original equipment), design applications, and logistics purposes.

6.1.1 Replaceability. Microcircuits covered by this drawing will replace the same generic device covered by a contractor-prepared specification or drawing.

6.1.2 Substitutability. Device classes B and Q devices will replace device class M devices.

<b>STANDARDIZED MILITARY DRAWING DEFENSE ELECTRONICS SUPPLY CENTER DAYTON, OHIO 45444</b>	<b>SIZE A</b>		5962-92201
		<b>REVISION LEVEL</b>	<b>SHEET 22</b>

DESC FORM 193A  
JUL 91

6.2 Configuration control of SMD's. All proposed changes to existing SMD's will be coordinated with the users of record for the individual documents. This coordination will be accomplished in accordance with MIL-STD-481 using DD Form 1693, Engineering Change Proposal (Short Form).

6.3 Record of users. Military and industrial users shall inform Defense Electronics Supply Center when a system application requires configuration control and which SMD's are applicable to that system. DESC will maintain a record of users and this list will be used for coordination and distribution of changes to the drawings. Users of drawings covering microelectronic devices (FSC 5962) should contact DESC-EC, telephone (513) 296-6047.

6.4 Comments. Comments on this drawing should be directed to DESC-EC, Dayton, Ohio 45444, or telephone (513) 296-8525.

6.5 Abbreviations, symbols, and definitions. The abbreviations, symbols, and definitions used herein are defined as follows:

GND	-----	Ground zero voltage potential.
I <sub>CC</sub>	-----	Quiescent supply current.
I <sub>IL</sub>	-----	Input current low.
I <sub>IH</sub>	-----	Input current high.
T <sub>C</sub>	-----	Case temperature.
T <sub>A</sub>	-----	Ambient temperature.
V <sub>CC</sub>	-----	Positive supply voltage.
C <sub>IN</sub>	-----	Input terminal-to-GND capacitance.
C <sub>PD</sub>	-----	Power dissipation capacitance.
V <sub>IC+</sub>	-----	Positive input clamp voltage.
V <sub>IC-</sub>	-----	Negative input clamp voltage.
t <sub>w</sub>	-----	Trigger duration (width).
O/V	-----	Latch-up over-voltage.
O/I	-----	Latch-up over-current.

6.6 One part - one part number system. The one part - one part number system described below has been developed to allow for transitions between identical generic devices covered by the four major microcircuit requirements documents (MIL-M-38510, MIL-H-38534, MIL-I-38535, and 1.2.1 of MIL-STD-883) without the necessity for the generation of unique PIN's. The four military requirements documents represent different class levels, and previously when a device manufacturer upgraded military product from one class level to another, the benefits of the upgraded product were unavailable to the Original Equipment Manufacturer (OEM), that was contractually locked into the original unique PIN. By establishing a one part number system covering all four documents, the OEM can acquire to the highest class level available for a given generic device to meet system needs without modifying the original contract parts selection criteria.

<u>Military documentation format</u>	<u>Example PIN under new system</u>	<u>Manufacturing source listing</u>	<u>Document Listing</u>
New MIL-M-38510 Military Detail Specifications (in the SMD format)	5962-XXXXXZZ(B or S)YY	QPL-38510 (Part 1 or 2)	MIL-BUL-103
New MIL-H-38534 Standardized Military Drawings	5962-XXXXXZZ(H or K)YY	QML-38534	MIL-BUL-103
New MIL-I-38535 Standardized Military Drawings	5962-XXXXXZZ(Q or V)YY	QML-38535	MIL-BUL-103
New 1.2.1 of MIL-STD-883 Standardized Military Drawings	5962-XXXXXZZ(M)YY	MIL-BUL-103	MIL-BUL-103

6.7 Sources of supply.

6.7.1 Sources of supply for device classes B and S. Sources of supply for device classes B and S are listed in QPL-38510.

6.7.2 Sources of supply for device classes Q and V. Sources of supply for device classes Q and V are listed in QML-38535. The vendors listed in QML-38535 have submitted a certificate of compliance (see 3.6 herein) to DESC-EC and have agreed to this drawing.

6.7.3 Approved sources of supply for device class M. Approved sources of supply for class M are listed in MIL-BUL-103. The vendors listed in MIL-BUL-103 have agreed to this drawing and a certificate of compliance (see 3.6 herein) has been submitted to and accepted by DESC-EC.

<b>STANDARDIZED MILITARY DRAWING DEFENSE ELECTRONICS SUPPLY CENTER DAYTON, OHIO 45444</b>	<b>SIZE A</b>		<b>5962-92201</b>
		<b>REVISION LEVEL</b>	<b>SHEET 23</b>

DESC FORM 193A  
JUL 91