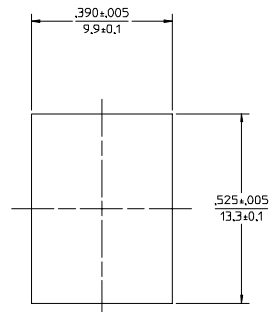
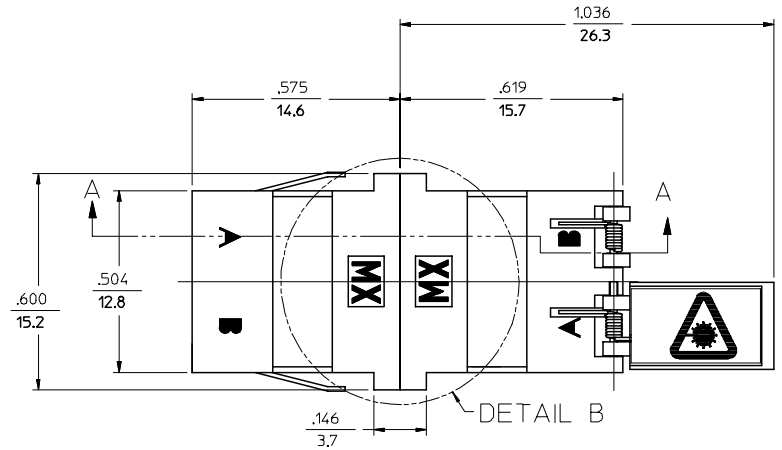
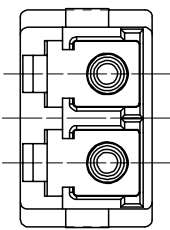
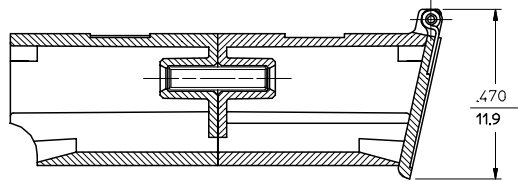


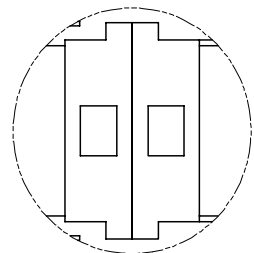
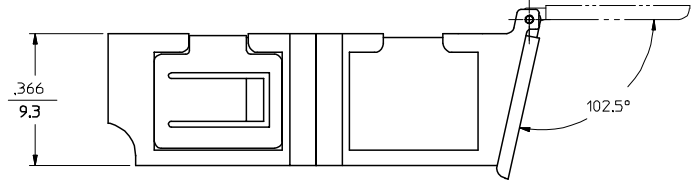
LC ADAPTER P/N	COLOR	SPLIT SLEEVE MATERIAL	LOGO
86127-1400	BLUE	Zr	MX
86127-1430*			
86127-1420 (SEE NOTE 2)			
86127-0410	BEIGE	Ph, Bronze	
86127-1450	GREEN	Zr	
86127-1600	BLUE/METAL DOOR	Zr	
86127-0610	BEIGE/METAL DOOR	Ph, Bronze	
86127-1650	GREEN/METAL DOOR	Zr	
86127-1640	RED/METAL DOOR	Zr	
86127-1410	BLACK	Zr	
86127-9410*	AQUA	Ph, Bronze	
86127-9010**	GREEN	Zr	NONE
86127-1950*			
86198-2400			
86127-9020**	BLUE	Ph, Bronze	
86198-2410	BEIGE		
86127-9000**	AQUA/METAL DOOR		Ph, Bronze



RECOMMENDED MOUNTING CUTOUT FOR .063 MAX. THICK PANEL



SECTION A-A



DETAIL B (NO LOGO VERSION)

NOTES:

- DUST CAPS ARE NOT SHOWN, BUT INCLUDED.
- FOR P/N 86127-1420 LASER WARNING LABEL IS SUPPLIED UNATTACHED AND SHALL BE INSTALLED BY CUSTOMER.
- *3. P/N/S 86127-9410, 86127-1950 AND 86127-1430 ARE BULK PACKED IN QUANTITIES OF 100pcs.
- **4. P/N/S 86127-9000, 86127-9010 AND 86127-9020 ARE FIRST INDIVIDUALLY PACKED IN CLEAR NON-MARKED BAGS AND THEN BULK PACKED IN QUANTITIES OF 100pcs.

ENTER DESCRIPTION EC NO: MF2005-0669 DRAWN BY: YBEDNYAK 2005/05/23 CHKD: 2005/05/23 APPR: JGUMIN 2005/05/23 REV:	QUALITY SYMBOLS	GENERAL TOLERANCES (UNLESS SPECIFIED)	DIMENSION STYLE IN/MM	SCALE 3:1	DESIGN UNITS INCH	THIRD ANGLE PROJECTION	
	= 0 = 0	4 PLACES ± --- ± --- 3 PLACES ± --- ± --- 2 PLACES ± --- ± --- 1 PLACE ± --- ± --- ANGULAR ±1/2°	DRAWN BY BKIM DATE 11.29.99 CHECKED BY DATE DSZILAGY 12.20.99 APPROVED BY DATE SMIGO 12.20.99	TITLE	LC DUPLEX ADAPTER W/ SHUTTERS (SMALL FLANGE/SC FOOT PRINT)		
	DRAFT WHERE APPLICABLE MUST REMAIN WITHIN DIMENSIONS	SEE TABLE	MATERIAL NO.	DOCUMENT NO.	SHEET NO.		
	THIS DRAWING CONTAINS INFORMATION THAT IS PROPRIETARY TO MOLEX INCORPORATED AND SHOULD NOT BE USED WITHOUT WRITTEN PERMISSION		86127-YYYOCD	1 OF 1			