
HM5116400B Series

4,194,304-word × 4-bit Dynamic Random Access Memory

HITACHI

ADE-203-367A (Z)

Rev. 1.0

Nov. 2, 1995

Description

The Hitachi HM5116400B is a CMOS dynamic RAM organized 4,194,304-word × 4-bit. It employs the most advanced CMOS technology for high performance and low power. The HM5116400B offers Fast Page Mode as a high speed access mode.

Features

- Single 5 V ($\pm 10\%$)
- High speed
 - Access time : 60 ns/ 70 ns/ 80 ns (max)
- Low power dissipation
 - Active mode : 440 mW/385 mW/358 mW (max)
 - Standby mode : 11 mW (max)
 - : 0.83 mW (max) (L-version)
- Fast page mode capability
- Long refresh period
 - 4096 refresh cycles : 64 ms
 - : 128 ms (L-version)
- 3 variations of refresh
 - $\overline{\text{RAS}}$ -only refresh
 - $\overline{\text{CAS}}$ -before- $\overline{\text{RAS}}$ refresh
 - Hidden refresh
- Battery backup operation (L-version)
- Test function
 - 16-bit parallel test mode

This specification is fully compatible with the 16-Mbit DRAM specifications from TEXAS INSTRUMENTS.

■ 4496203 0027132 11T ■

HM5116400B Series

Ordering Information

Type No.	Access Time	Package
HM5116400BS-6	60 ns	300-mil 26-pin plastic SOJ (CP-26/24DB)
HM5116400BS-7	70 ns	
HM5116400BS-8	80 ns	
HM5116400BLS-6	60 ns	300-mil 26-pin plastic TSOP II (TTP-26/24DA)
HM5116400BLS-7	70 ns	
HM5116400BLS-8	80 ns	
HM5116400BTS-6	60 ns	300-mil 26-pin plastic TSOP II (TTP-26/24DA)
HM5116400BTS-7	70 ns	
HM5116400BTS-8	80 ns	
HM5116400BLTS-6	60 ns	300-mil 26-pin plastic TSOP II (TTP-26/24DA)
HM5116400BLTS-7	70 ns	
HM5116400BLTS-8	80 ns	

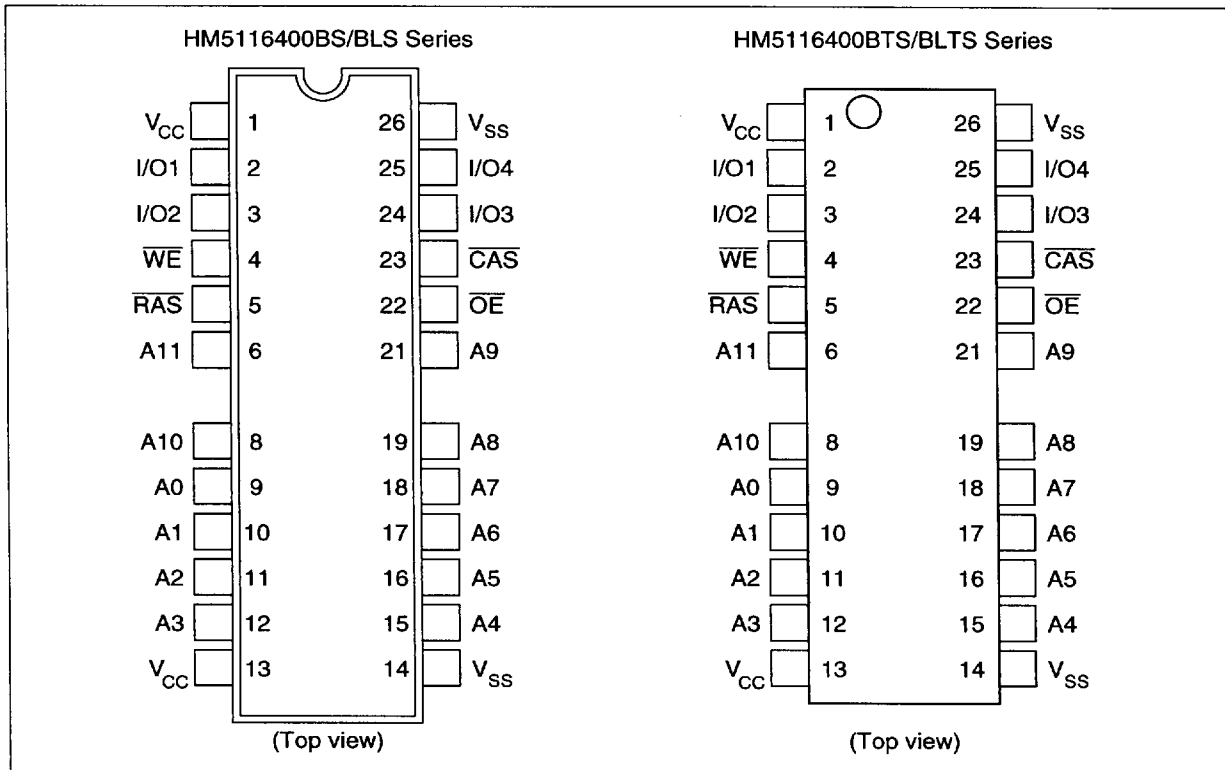
HITACHI

2

■ 4496203 0027133 056 ■

HM5116400B Series

Pin Arrangement



Pin Description

Pin Name	Function
A0 to A11	Address input
A0 to A11	Refresh address input
I/O1 to I/O4	Data input/Data output
\overline{RAS}	Row address strobe
\overline{CAS}	Column address strobe
\overline{WE}	Write enable
\overline{OE}	Output enable
V _{CC}	Power supply (+5 V)
V _{SS}	Ground

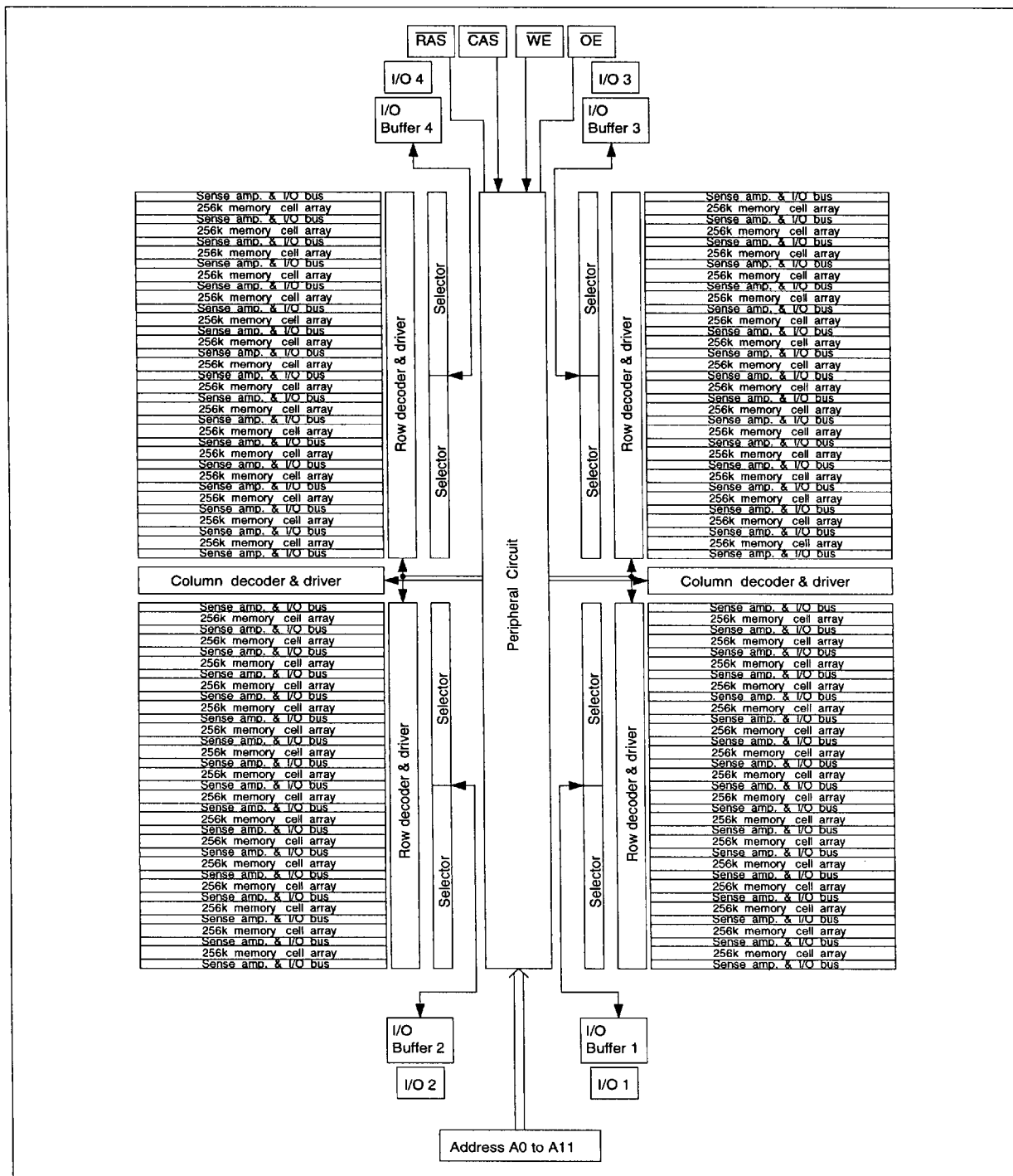
HITACHI

3

■ 4496203 0027134 T92 ■

HM5116400B Series

Block Diagram



HITACHI

4496203 0027135 929

Absolute Maximum Ratings

Parameter	Symbol	Value	Unit
Voltage on any pin relative to V_{SS}	V_T	-1.0 to +7.0	V
Supply voltage relative to V_{SS}	V_{CC}	-1.0 to +7.0	V
Short circuit output current	I_{out}	50	mA
Power dissipation	P_T	1.0	W
Operating temperature	T_{opr}	0 to +70	°C
Storage temperature	T_{stg}	-55 to +125	°C

Recommended DC Operating Conditions ($T_a = 0$ to $+70^\circ\text{C}$)

Parameter	Symbol	Min	Typ	Max	Unit	Note
Supply voltage	V_{CC}	4.5	5.0	5.5	V	1
Input high voltage	V_{IH}	2.4	—	6.5	V	1
Input low voltage	V_{IL}	-1.0	—	0.8	V	1

Note: 1. All voltage referred to V_{SS}

DC Characteristics ($T_a = 0$ to $+70^\circ\text{C}$, $V_{CC} = 5\text{ V} \pm 10\%$, $V_{SS} = 0\text{ V}$)

Parameter	Symbol	HM5116400B						Unit	Test Conditions
		-6		-7		-8			
		Min	Max	Min	Max	Min	Max		
Operating current ^{1, 2}	I_{CC1}	—	80	—	70	—	65	mA	$t_{RC} = \text{min}$
Standby current	I_{CC2}	—	2	—	2	—	2	mA	TTL interface $\overline{RAS}, \overline{CAS} = V_{IH}$ Dout = High-Z
		—	1	—	1	—	1	mA	CMOS interface $\overline{RAS}, \overline{CAS} \geq V_{CC} - 0.2\text{ V}$ Dout = High-Z
Standby current (L-version)	I_{CC2}	—	150	—	150	—	150	μA	CMOS interface $\overline{RAS}, \overline{CAS} \geq V_{CC} - 0.2\text{ V}$ Dout = High-Z

HM5116400B Series

DC Characteristics (Ta = 0 to +70°C, V_{CC} = 5 V ± 10%, V_{SS} = 0 V) (cont)

Parameter	Symbol	HM5116400B						Unit	Test Conditions
		-6		-7		-8			
		Min	Max	Min	Max	Min	Max		
RAS-only refresh current ²	I _{CC3}	—	80	—	70	—	65	mA	t _{RC} = min
Standby current ¹	I _{CC5}	—	5	—	5	—	5	mA	RAS = V _{IH} , CAS = V _{IL} Dout = enable
CAS-before-RAS refresh current	I _{CC6}	—	80	—	70	—	65	mA	t _{RC} = min
Fast page mode current ^{1,3}	I _{CC7}	—	70	—	60	—	50	mA	t _{PC} = min
Battery backup current	I _{CC10}	—	350	—	350	—	350	μA	CMOS interface Dout = High-Z CBR refresh: t _{RC} = 31.3 μs t _{RAS} ≤ 0.3 μs
Input leakage current	I _{LI}	-10	10	-10	10	-10	10	μA	0 V ≤ Vin ≤ 7 V
Output leakage current	I _{LO}	-10	10	-10	10	-10	10	μA	0 V ≤ Vout ≤ 7 V Dout = disable
Output high voltage	V _{OH}	2.4	V _{CC}	2.4	V _{CC}	2.4	V _{CC}	V	High Iout = -5 mA
Output low voltage	V _{OL}	0	0.4	0	0.4	0	0.4	V	Low Iout = 4.2 mA

- Notes: 1. I_{CC} depends on output load condition when the device is selected. I_{CC} max is specified at the output open condition.
 2. Address can be changed once or less while RAS = V_{IL}.
 3. Address can be changed once or less while CAS = V_{IH}.

Capacitance (Ta = 25°C, V_{CC} = 5 V ± 10%)

Parameter	Symbol	Typ	Max	Unit	Notes
Input capacitance (Address)	C _{I1}	—	5	pF	1
Input capacitance (Clocks)	C _{I2}	—	7	pF	1
Output capacitance (Data-in, Data-out)	C _{I/O}	—	7	pF	1, 2

- Notes: 1. Capacitance measured with Boonton Meter or effective capacitance measuring method.
 2. CAS = V_{IH} to disable Dout.

HITACHI

6

■ 4496203 0027137 7T1 ■

HM5116400B Series

AC Characteristics ($T_a = 0$ to $+70^\circ\text{C}$, $V_{CC} = 5\text{ V} \pm 10\%$, $V_{SS} = 0\text{ V}$)*1, *2, *3, *19, *20

Test Conditions

- Input rise and fall time : 5 ns
- Input timing reference levels : 0.8 V, 2.4 V
- Output load : 2 TTL gate + C_L (100 pF) (Including scope and jig)

Read, Write, Read-Modify-Write and Refresh Cycles (Common parameters)

		HM5116400B						Unit	Notes
		-6		-7		-8			
Parameter	Symbol	Min	Max	Min	Max	Min	Max		
Random read or write cycle time	t_{RC}	110	—	130	—	150	—	ns	
$\overline{\text{RAS}}$ precharge time	t_{RP}	40	—	50	—	60	—	ns	
$\overline{\text{CAS}}$ precharge time	t_{CP}	10	—	10	—	10	—	ns	
$\overline{\text{RAS}}$ pulse width	t_{RAS}	60	10000	70	10000	80	10000	ns	
$\overline{\text{CAS}}$ pulse width	t_{CAS}	15	10000	18	10000	20	10000	ns	
Row address setup time	t_{ASR}	0	—	0	—	0	—	ns	
Row address hold time	t_{RAH}	10	—	10	—	10	—	ns	
Column address setup time	t_{ASC}	0	—	0	—	0	—	ns	
Column address hold time	t_{CAH}	10	—	15	—	15	—	ns	
$\overline{\text{RAS}}$ to $\overline{\text{CAS}}$ delay time	t_{RCD}	20	45	20	52	20	60	ns	4
$\overline{\text{RAS}}$ to column address delay time	t_{RAD}	15	30	15	35	15	40	ns	5
$\overline{\text{RAS}}$ hold time	t_{RSH}	15	—	18	—	20	—	ns	
$\overline{\text{CAS}}$ hold time	t_{CSH}	60	—	70	—	80	—	ns	
$\overline{\text{CAS}}$ to $\overline{\text{RAS}}$ precharge time	t_{CRP}	5	—	5	—	5	—	ns	
$\overline{\text{OE}}$ to Din delay time	t_{OED}	15	—	18	—	20	—	ns	6
$\overline{\text{OE}}$ delay time from Din	t_{DZO}	0	—	0	—	0	—	ns	7
$\overline{\text{CAS}}$ delay time from Din	t_{DZC}	0	—	0	—	0	—	ns	7
Transition time (rise and fall)	t_T	3	50	3	50	3	50	ns	8

HITACHI

7

■ 4496203 0027138 638 ■

HM5116400B Series

Read Cycle

Parameter	Symbol	HM5116400B						Unit	Notes
		-6		-7		-8			
		Min	Max	Min	Max	Min	Max		
Access time from $\overline{\text{RAS}}$	t_{RAC}	—	60	—	70	—	80	ns	9, 10, 21
Access time from $\overline{\text{CAS}}$	t_{CAC}	—	15	—	18	—	20	ns	10, 11, 18, 21
Access time from address	t_{AA}	—	30	—	35	—	40	ns	10, 12, 18, 21
Access time from $\overline{\text{OE}}$	t_{OEA}	—	15	—	18	—	20	ns	10, 21
Read command setup time	t_{RCS}	0	—	0	—	0	—	ns	
Read command hold time to $\overline{\text{CAS}}$	t_{RCH}	0	—	0	—	0	—	ns	13
Read command hold time to $\overline{\text{RAS}}$	t_{RRH}	0	—	0	—	0	—	ns	13
Column address to $\overline{\text{RAS}}$ lead time	t_{RAL}	30	—	35	—	40	—	ns	
Column address to $\overline{\text{CAS}}$ lead time	t_{CAL}	30	—	35	—	40	—	ns	
$\overline{\text{CAS}}$ to output in low-Z	t_{CLZ}	0	—	0	—	0	—	ns	
Output data hold time	t_{OH}	3	—	3	—	3	—	ns	
Output data hold time from $\overline{\text{OE}}$	t_{OHO}	3	—	3	—	3	—	ns	
Output buffer turn-off time	t_{OFF}	—	15	—	15	—	15	ns	14
Output buffer turn-off to $\overline{\text{OE}}$	t_{OEZ}	—	15	—	15	—	15	ns	14
$\overline{\text{CAS}}$ to Din delay time	t_{CDD}	15	—	18	—	20	—	ns	6

Write Cycle

Parameter	Symbol	HM5116400B						Unit	Notes
		-6		-7		-8			
		Min	Max	Min	Max	Min	Max		
Write command setup time	t_{WCS}	0	—	0	—	0	—	ns	15
Write command hold time	t_{WCH}	10	—	15	—	15	—	ns	
Write command pulse width	t_{WP}	10	—	10	—	10	—	ns	
Write command to $\overline{\text{RAS}}$ lead time	t_{RWL}	15	—	18	—	20	—	ns	
Write command to $\overline{\text{CAS}}$ lead time	t_{CWL}	15	—	18	—	20	—	ns	
Data-in setup time	t_{DS}	0	—	0	—	0	—	ns	16
Data-in hold time	t_{DH}	10	—	15	—	15	—	ns	16

HITACHI

8

■ 4496203 0027139 574 ■

HM5116400B Series

Read-Modify-Write Cycle

		HM5116400B							
		-6		-7		-8			
Parameter	Symbol	Min	Max	Min	Max	Min	Max	Unit	Notes
Read-modify-write cycle time	t_{RWC}	155	—	181	—	205	—	ns	
\overline{RAS} to \overline{WE} delay time	t_{RWD}	85	—	98	—	110	—	ns	15
\overline{CAS} to \overline{WE} delay time	t_{CWD}	40	—	46	—	50	—	ns	15
Column address to \overline{WE} delay time	t_{AWD}	55	—	63	—	70	—	ns	15
\overline{OE} hold time from \overline{WE}	t_{OEH}	15	—	18	—	20	—	ns	

Refresh Cycle

		HM5116400B							
		-6		-7		-8			
Parameter	Symbol	Min	Max	Min	Max	Min	Max	Unit	Notes
\overline{CAS} setup time (CBR refresh cycle)	t_{CSR}	5	—	5	—	5	—	ns	
\overline{CAS} hold time (CBR refresh cycle)	t_{CHR}	10	—	10	—	10	—	ns	
\overline{WE} setup time (CBR refresh cycle)	t_{WRP}	0	—	0	—	0	—	ns	
\overline{WE} hold time (CBR refresh cycle)	t_{WRH}	10	—	10	—	10	—	ns	
\overline{RAS} precharge to \overline{CAS} hold time	t_{RPC}	0	—	0	—	0	—	ns	

Fast Page Mode Cycle

		HM5116400B							
		-6		-7		-8			
Parameter	Symbol	Min	Max	Min	Max	Min	Max	Unit	Notes
Fast page mode cycle time	t_{PC}	40	—	45	—	50	—	ns	
Fast page mode \overline{RAS} pulse width	t_{RASP}	—	100000	—	100000	—	100000	ns	17
Access time from \overline{CAS} precharge	t_{CPA}	—	35	—	40	—	45	ns	10, 18, 21
\overline{RAS} hold time from \overline{CAS} precharge	t_{CPRH}	35	—	40	—	45	—	ns	

HITACHI

9

■ 4496203 0027140 296 ■

HM5116400B Series

Fast Page Mode Read-Modify-Write Cycle

		HM5116400B							
		-6		-7		-8			
Parameter	Symbol	Min	Max	Min	Max	Min	Max	Unit	Notes
Fast page mode read-modify-write cycle time	t_{PRWC}	85	—	96	—	105	—	ns	
\overline{WE} delay time from \overline{CAS} precharge	t_{CPW}	60	—	68	—	75	—	ns	15

Test Mode Cycle *20

		HM5116400B							
		-6		-7		-8			
Parameter	Symbol	Min	Max	Min	Max	Min	Max	Unit	Notes
Test mode \overline{WE} setup time	t_{WTS}	0	—	0	—	0	—	ns	
Test mode \overline{WE} hold time	t_{WTH}	10	—	10	—	10	—	ns	

Refresh



Parameter	Symbol	Max	Unit	Note
Refresh period	t_{REF}	64	ms	4096 cycles
Refresh period (L-version)	t_{REF}	128	ms	4096 cycles

- Notes:
1. AC measurements assume $t_T = 5$ ns.
 2. An initial pause of 200 μ s is required after power up followed by a minimum of eight initialization cycles (any combination of cycles containing \overline{RAS} -only refresh or \overline{CAS} -before- \overline{RAS} refresh). If the internal refresh counter is used, a minimum of eight \overline{CAS} -before- \overline{RAS} refresh cycles are required.
 3. Only row address is indispensable on address A10 and A11.
 4. Operation with the t_{RCD} (max) limit insures that t_{RAC} (max) can be met, t_{RCD} (max) is specified as a reference point only; if t_{RCD} is greater than the specified t_{RCD} (max) limit, then access time is controlled exclusively by t_{CAC} .
 5. Operation with the t_{RAD} (max) limit insures that t_{RAC} (max) can be met, t_{RAD} (max) is specified as a reference point only; if t_{RAD} is greater than the specified t_{RAD} (max) limit, then access time is controlled exclusively by t_{AA} .
 6. Either t_{OED} or t_{CDD} must be satisfied.
 7. Either t_{DZO} or t_{DZC} must be satisfied.
 8. V_{IH} (min) and V_{IL} (max) are reference levels for measuring timing of input signals. Also, transition times are measured between V_{IH} (min) and V_{IL} (max).
 9. Assumes that $t_{RCD} \leq t_{RCD}$ (max) and $t_{RAD} \leq t_{RAD}$ (max). If t_{RCD} or t_{RAD} is greater than the maximum recommended value shown in this table, t_{RAC} exceeds the value shown.

HITACHI

10

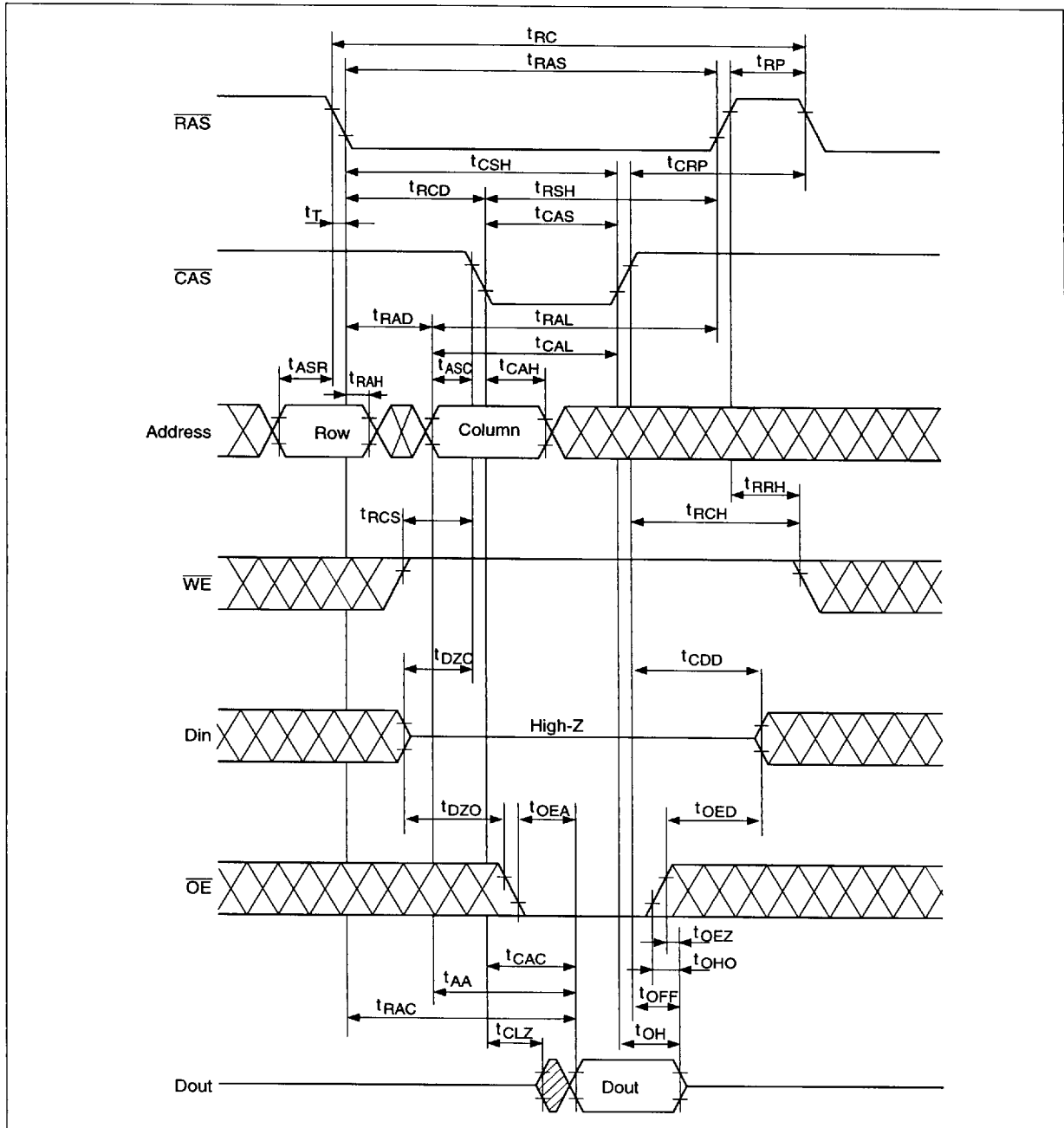
■ 4496203 0027141 122 ■

10. Measured with a load circuit equivalent to 2 TTL loads and 100 pF.
11. Assumes that $t_{RCD} \geq t_{RCD}(\max)$ and $t_{RCD} + t_{CAC}(\max) \geq t_{RAD} + t_{AA}(\max)$.
12. Assumes that $t_{RAD} \geq t_{RAD}(\max)$ and $t_{RCD} + t_{CAC}(\max) \leq t_{RAD} + t_{AA}(\max)$.
13. Either t_{RCH} or t_{RRH} must be satisfied for a read cycles.
14. $t_{OFF}(\max)$ and $t_{OEZ}(\max)$ define the time at which the outputs achieve the open circuit condition and are not referred to output voltage levels.
15. t_{WCS} , t_{RWD} , t_{CWD} , t_{AWD} and t_{CPW} are not restrictive operating parameters. They are included in the data sheet as electrical characteristics only; if $t_{WCS} \geq t_{WCS}(\min)$, the cycle is an early write cycle and the data out pin will remain open circuit (high impedance) throughout the entire cycle; if $t_{RWD} \geq t_{RWD}(\min)$, $t_{CWD} \geq t_{CWD}(\min)$, and $t_{AWD} \geq t_{AWD}(\min)$, or $t_{CWD} \geq t_{CWD}(\min)$, $t_{AWD} \geq t_{AWD}(\min)$ and $t_{CPW} \geq t_{CPW}(\min)$, the cycle is a read-modify-write and the data output will contain data read from the selected cell; if neither of the above sets of conditions is satisfied, the condition of the data out (at access time) is indeterminate.
16. These parameters are referred to \overline{CAS} leading edge in early write cycles and to \overline{WE} leading edge in delayed write or read-modify-write cycles.
17. t_{RASP} defines \overline{RAS} pulse width in fast page mode cycles.
18. Access time is determined by the longest among t_{AA} , t_{CAC} and t_{CPA} .
19. In delayed write or read-modify-write cycles, \overline{OE} must disable output buffer prior to applying data to the device. After \overline{RAS} is reset, if $t_{OEH} \geq t_{CWL}$, the I/O pin will remain open circuit (high impedance); if $t_{OEH} < t_{CWL}$, invalid data will be out at each I/O.
20. The 16M DRAM offers a 16-bit time saving parallel test mode. Address CA0 and CA1 for the 4M x 4 are don't care during test mode. Test mode is set by performing a \overline{WE} -and- \overline{CAS} -before- \overline{RAS} (WCBR) cycle. In 16-bits parallel test mode, data is written into 4 bits in parallel at each I/O (I/O1 to I/O4) and read out from each I/O.
If 4 bits of each I/O are equal (all 1s or 0s), data output pin is a high state during test mode read cycle, then the device has passed. If they are not equal, data output pin is a low state, then the device has failed.
Refresh during test mode operation can be performed by normal read cycles or by WCBR refresh cycles.
To get out of test mode and enter a normal operation mode, perform either a regular \overline{CAS} -before- \overline{RAS} refresh cycle or \overline{RAS} -only refresh cycle.
21. In a test mode read cycle, the value of t_{RAC} , t_{AA} , t_{CAC} and t_{CPA} is delayed by 2 ns to 5 ns for the specified value. These parameters should be specified in test mode cycles by adding the above value to the specified value in this data sheet.
22.  H or L (H: $V_{IH}(\min) \leq V_{IN} \leq V_{IH}(\max)$, L: $V_{IL}(\min) \leq V_{IN} \leq V_{IL}(\max)$)
 Invalid Dout

HM5116400B Series

Timing Waveforms*22

Read Cycle

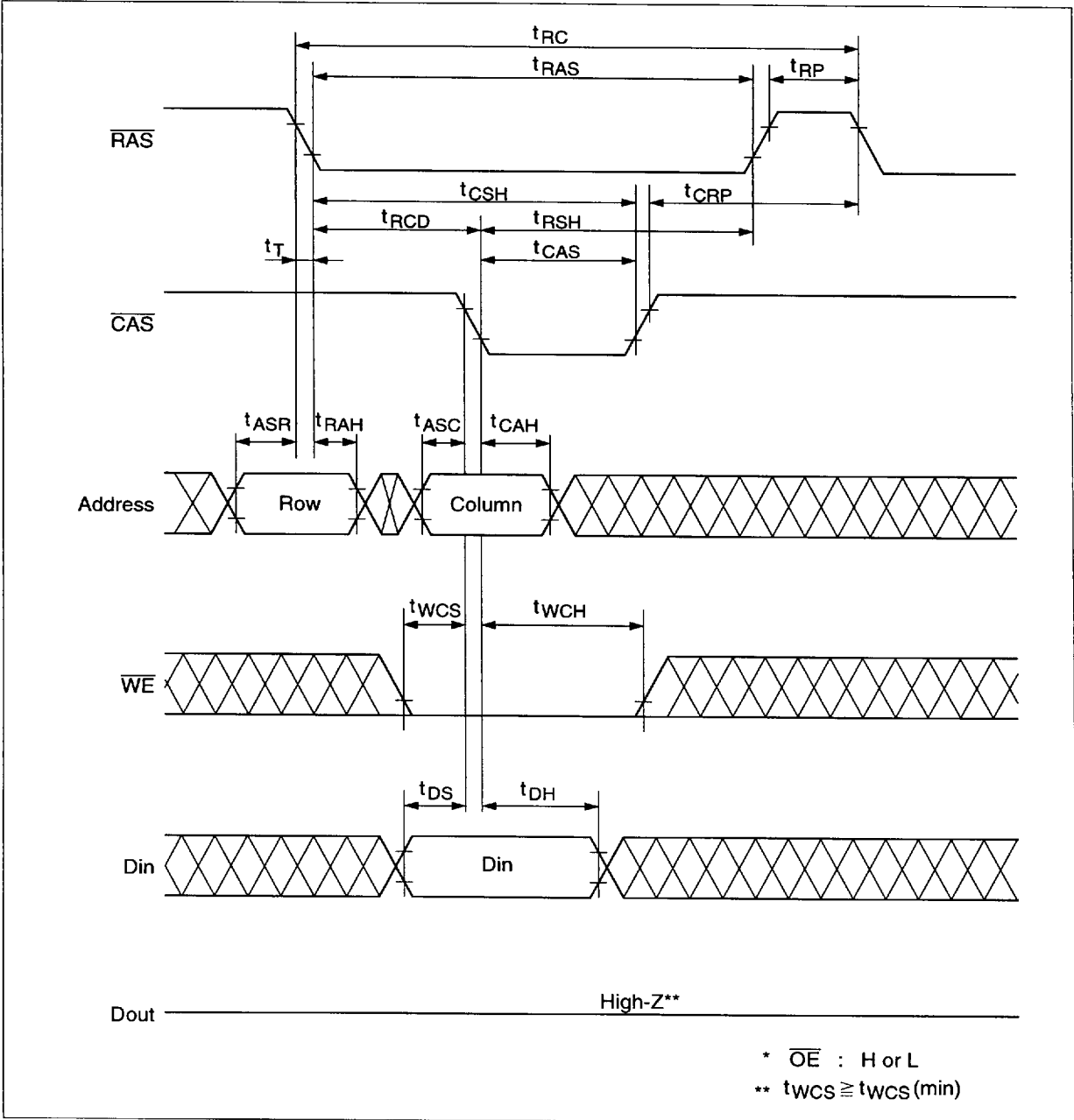


HITACHI

12

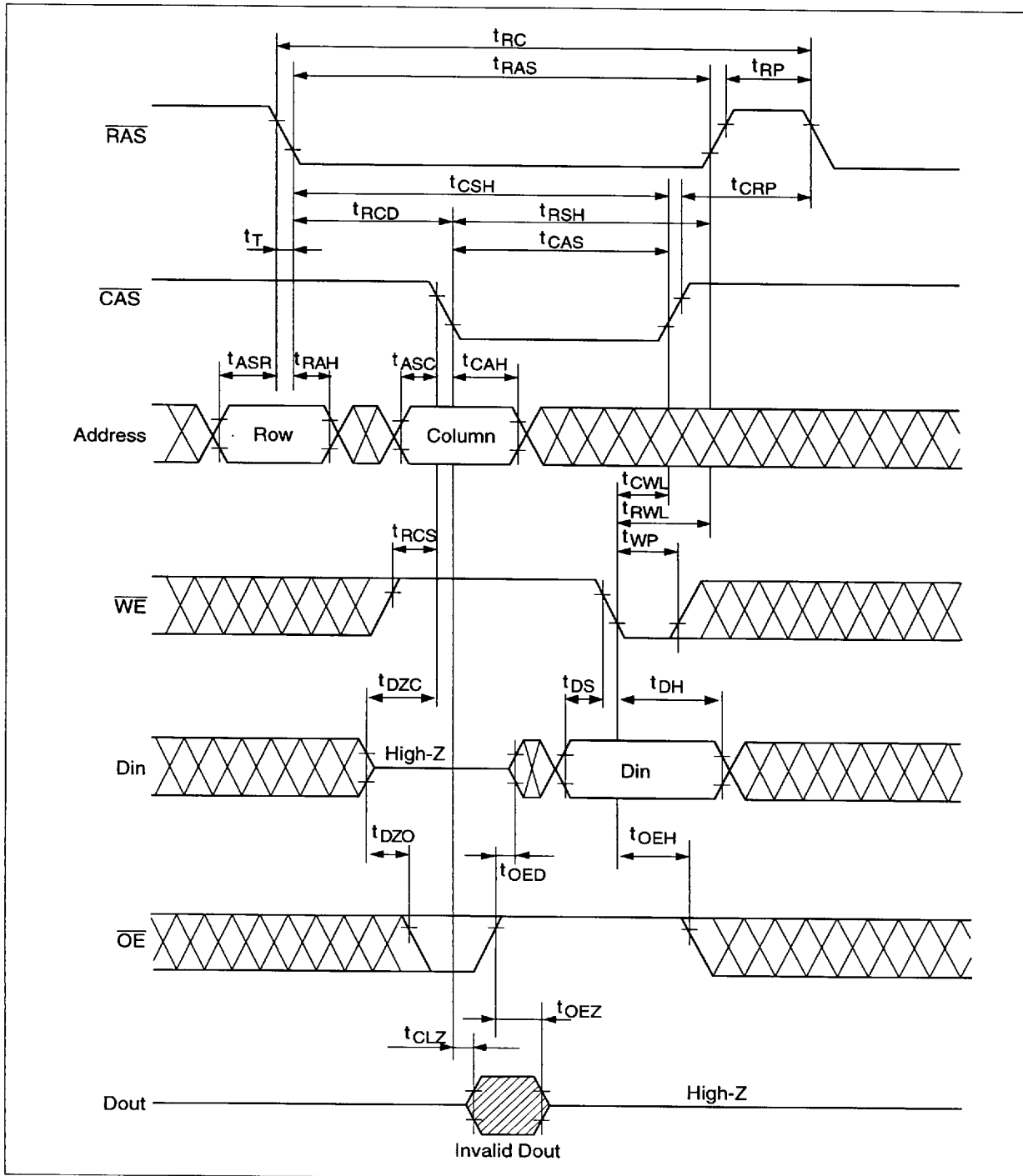
4496203 0027143 TT5

Early Write Cycle



HM5116400B Series

Delayed Write Cycle*19

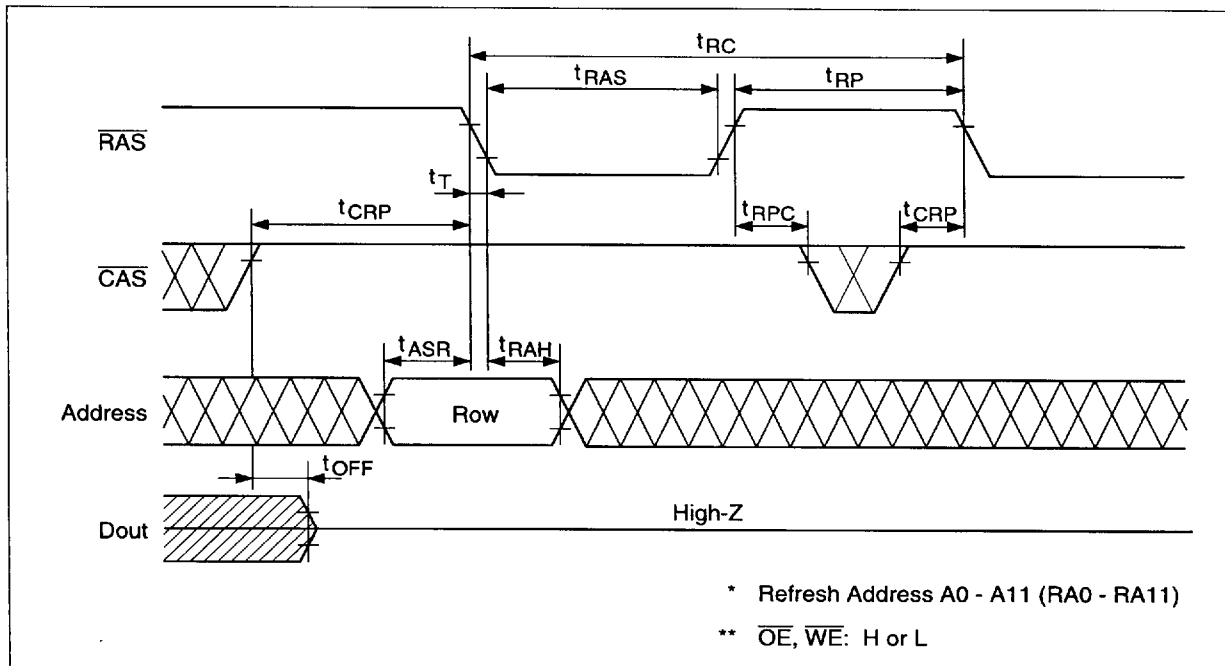


HITACHI
14

4496203 0027145 878

HM5116400B Series

$\overline{\text{RAS}}$ -Only Refresh Cycle

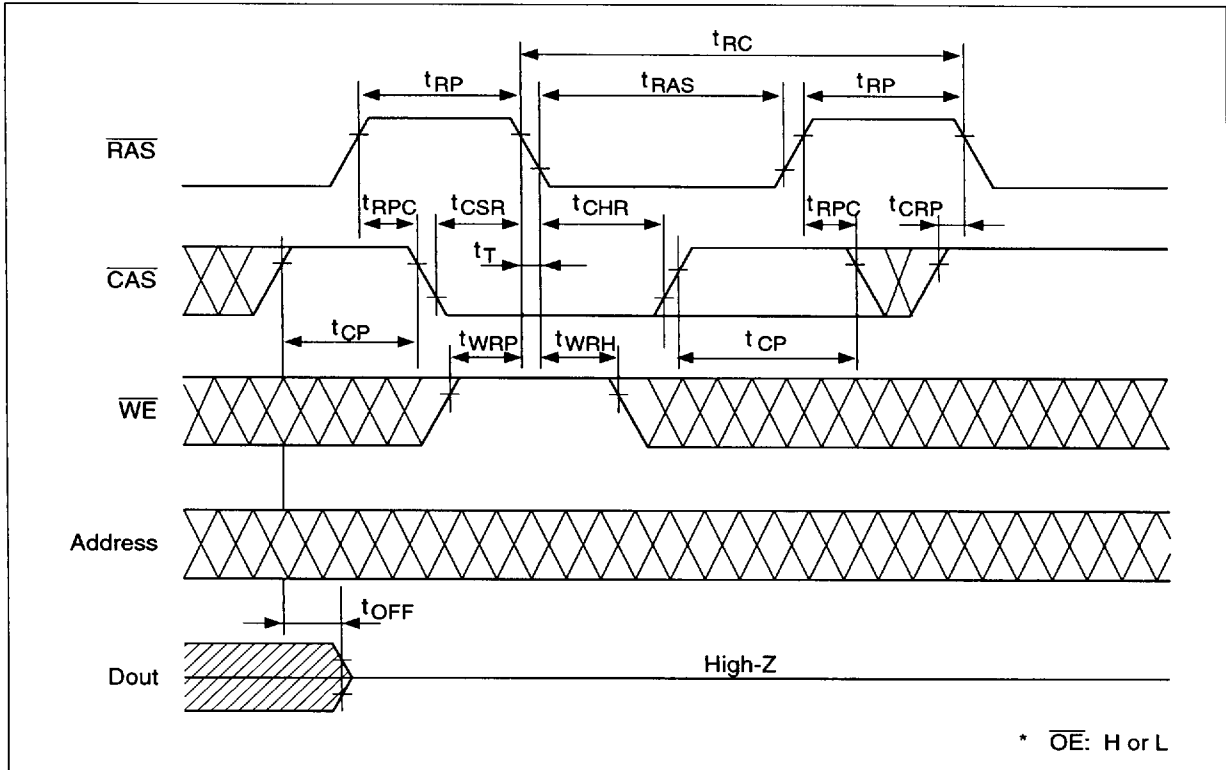


HITACHI

16

4496203 0027147 640

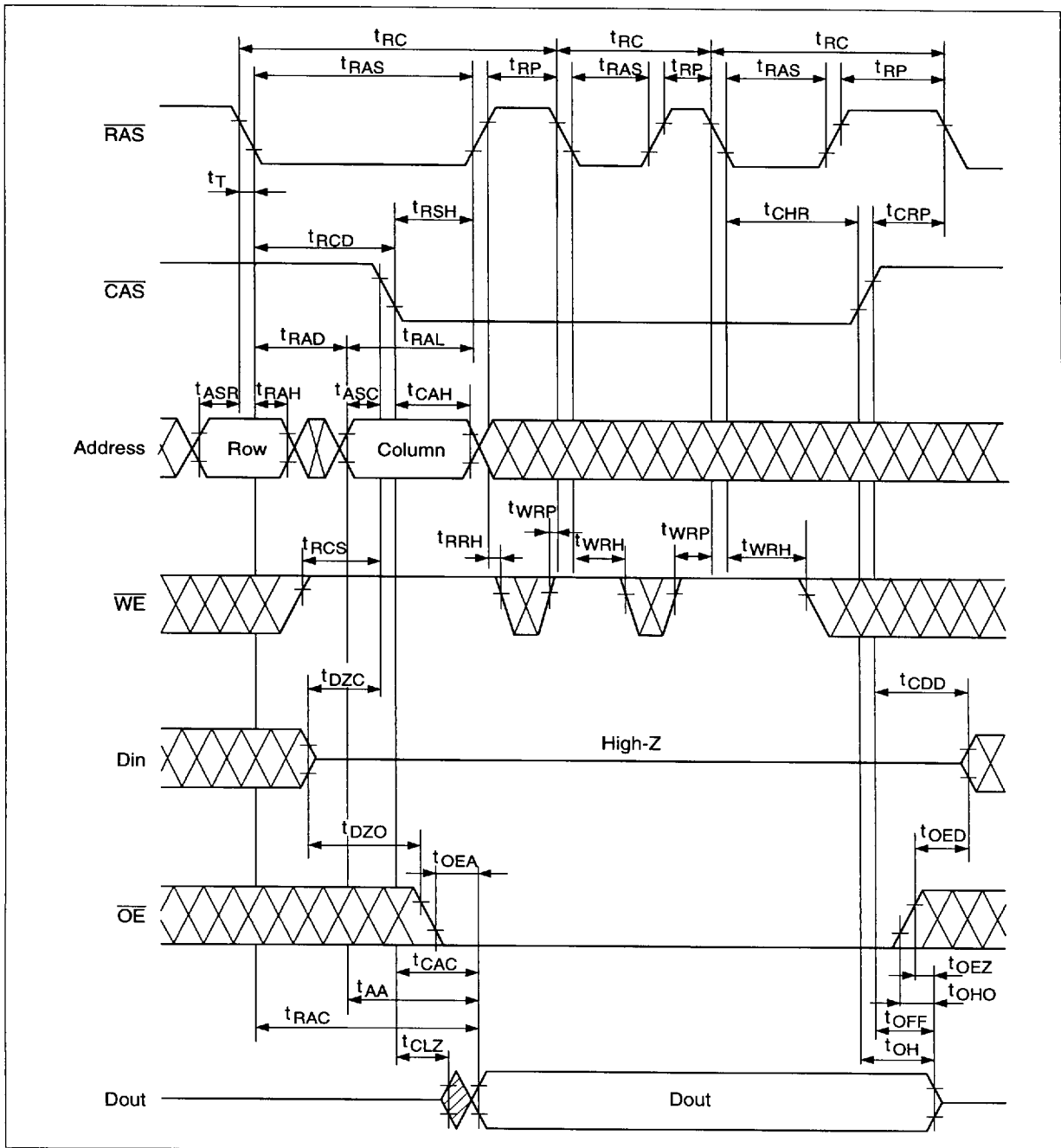
$\overline{\text{CAS}}$ -Before- $\overline{\text{RAS}}$ Refresh Cycle



HITACHI

HM5116400B Series

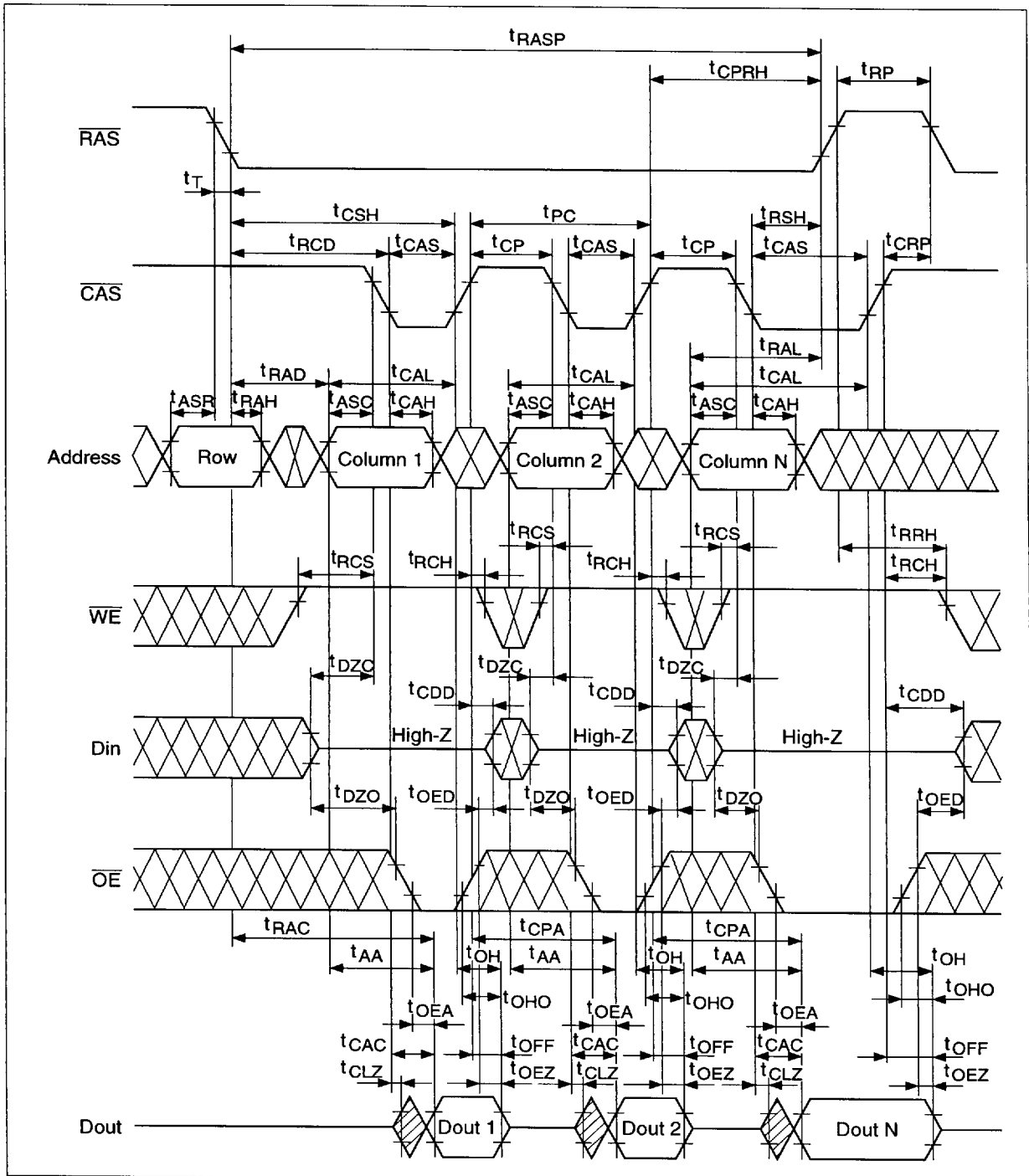
Hidden Refresh Cycle



HITACHI
18

4496203 0027149 413

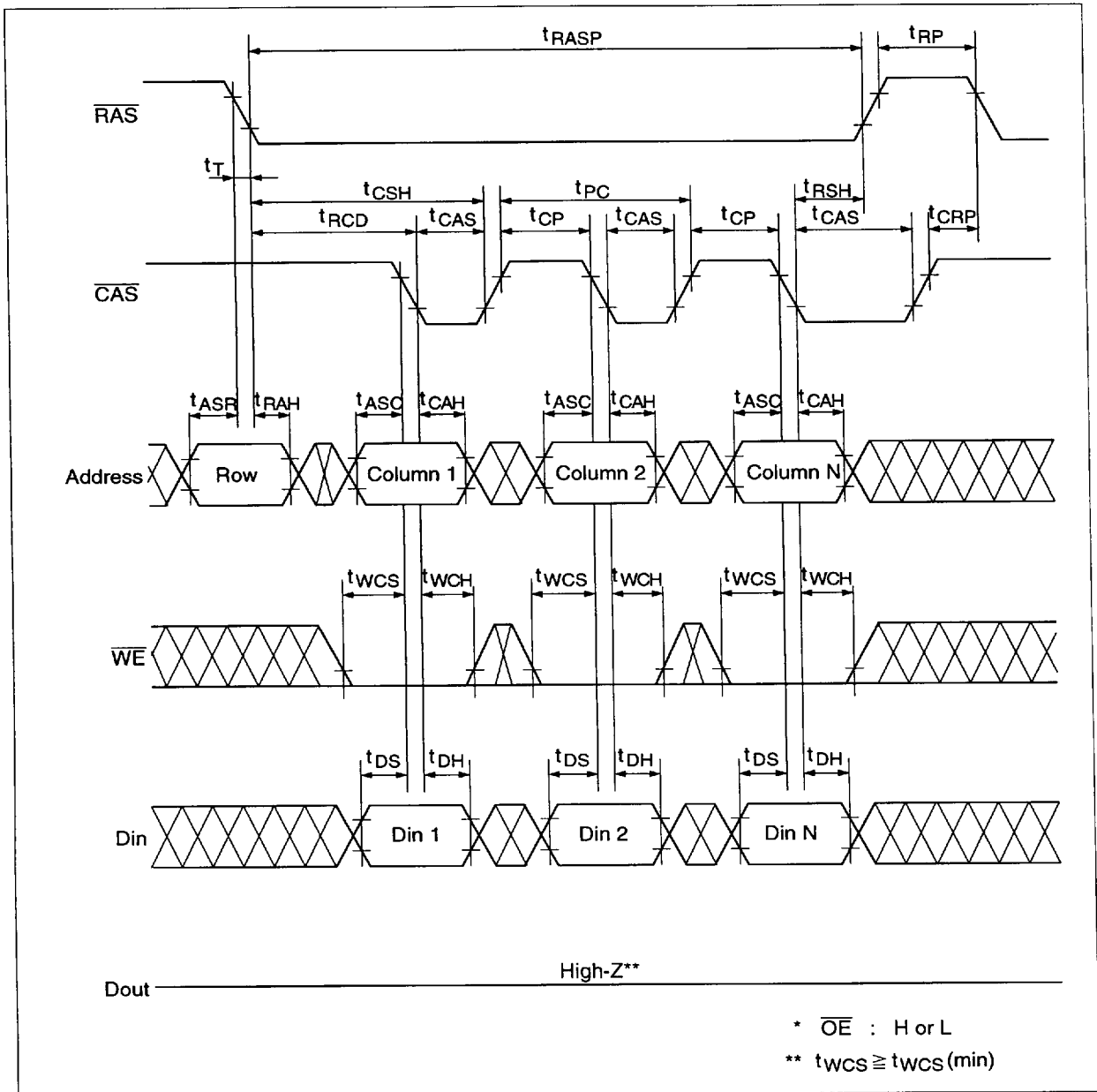
Fast Page Mode Read Cycle



HITACHI

HM5116400B Series

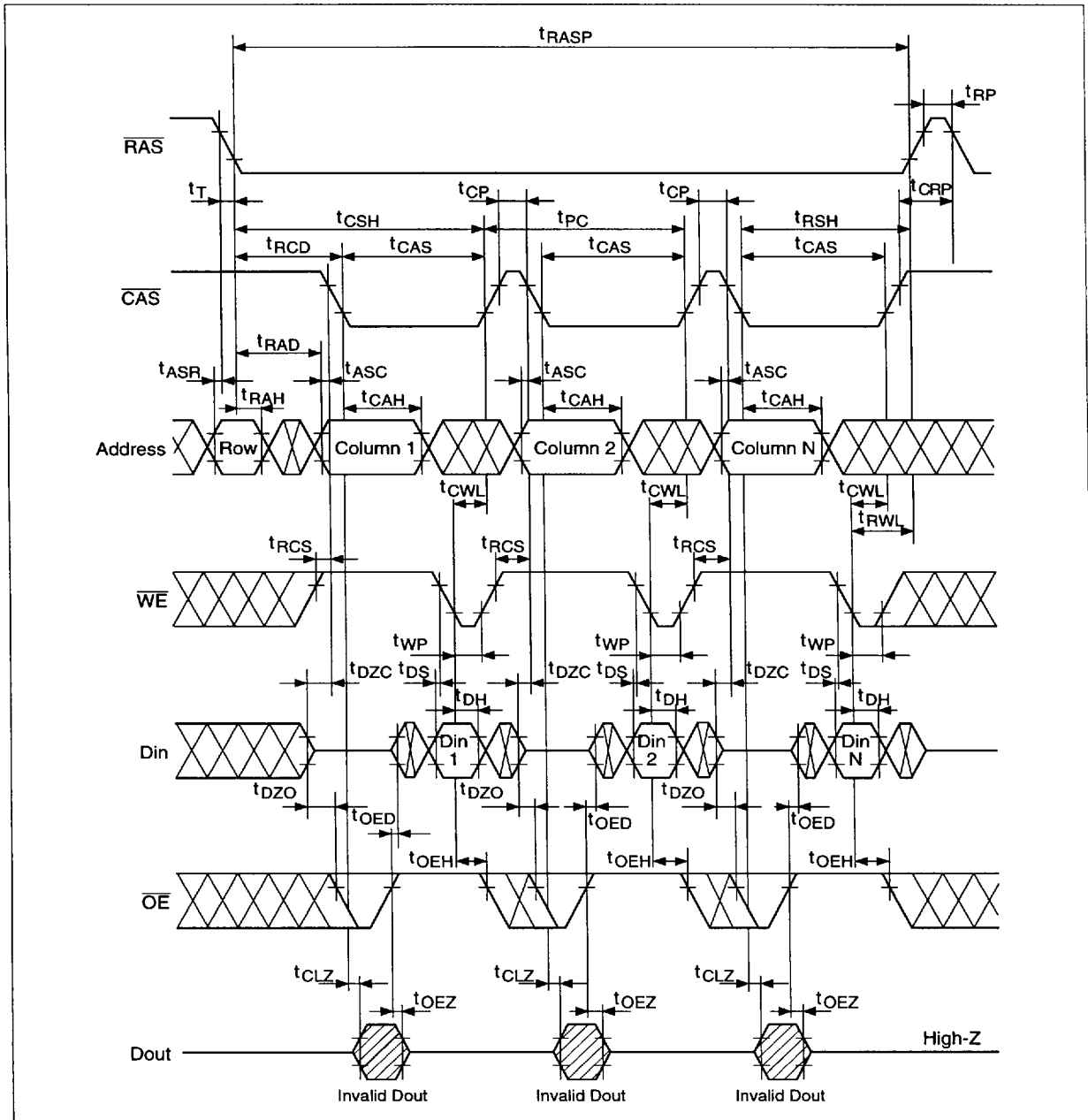
Fast Page Mode Early Write Cycle



HITACHI
20

4496203 0027151 071

Fast Page Mode Delayed Write Cycle^{*19}



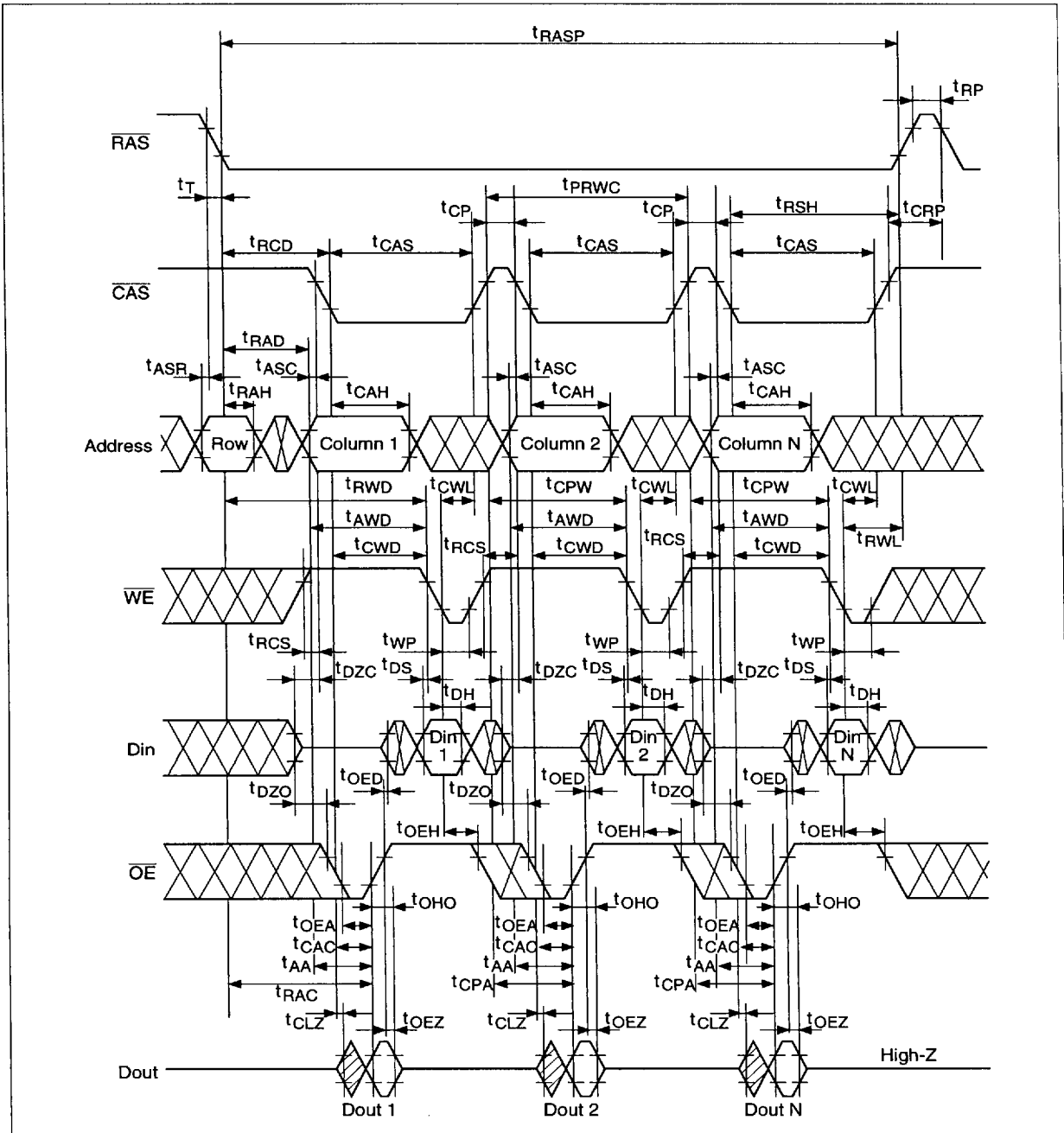
HITACHI

21

4496203 0027152 T08

HM5116400B Series

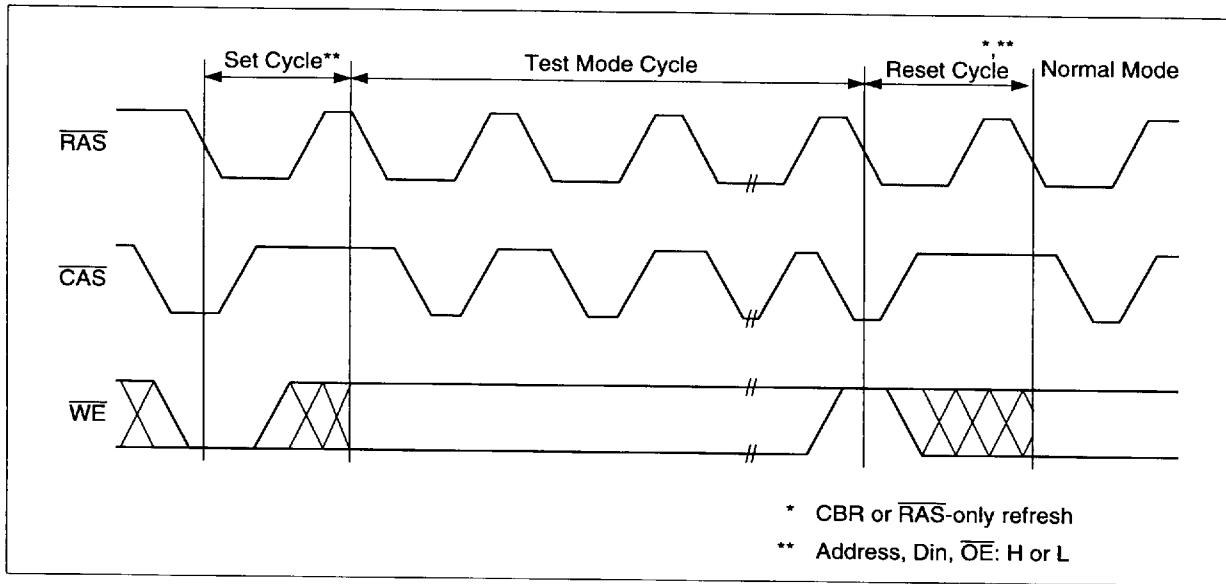
Fast Page Mode Read-Modify-Write Cycle^{*19}



HITACHI
22

4496203 0027153 944

Test Mode Cycle*²⁰



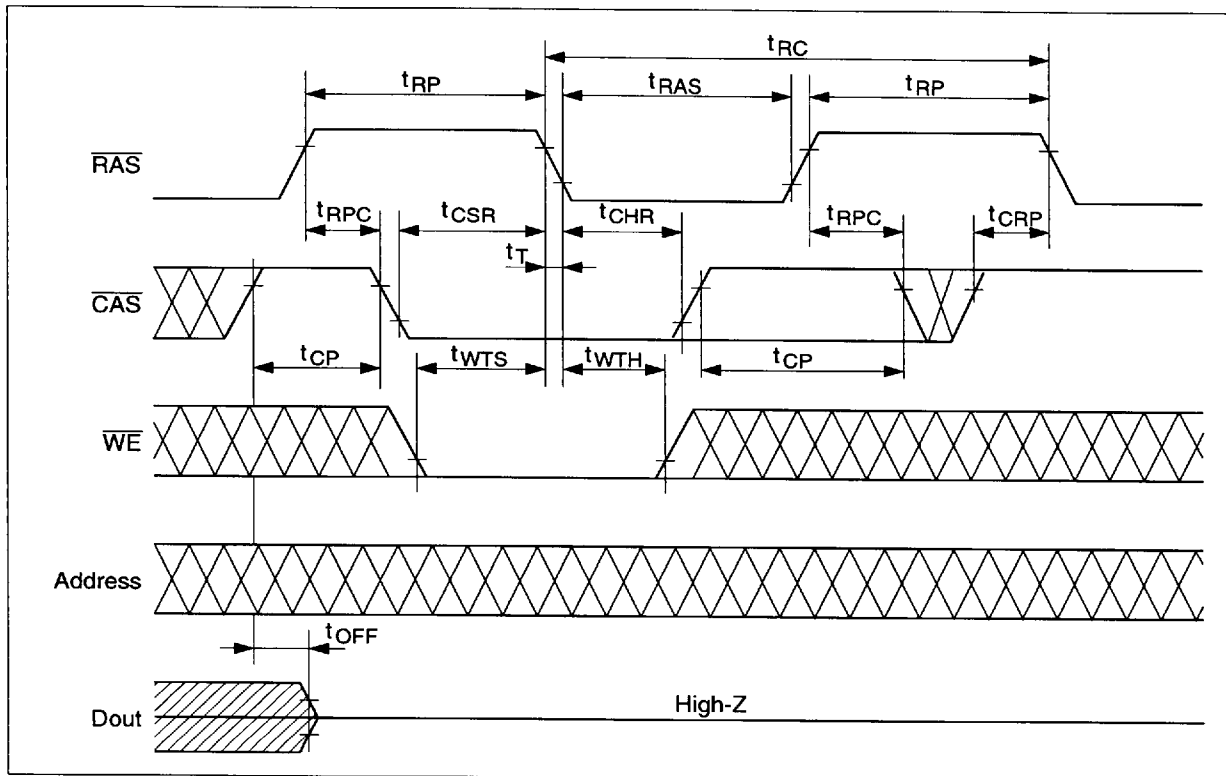
HITACHI

23

4496203 0027154 880

HM5116400B Series

Test Mode Set Cycle



HITACHI
24

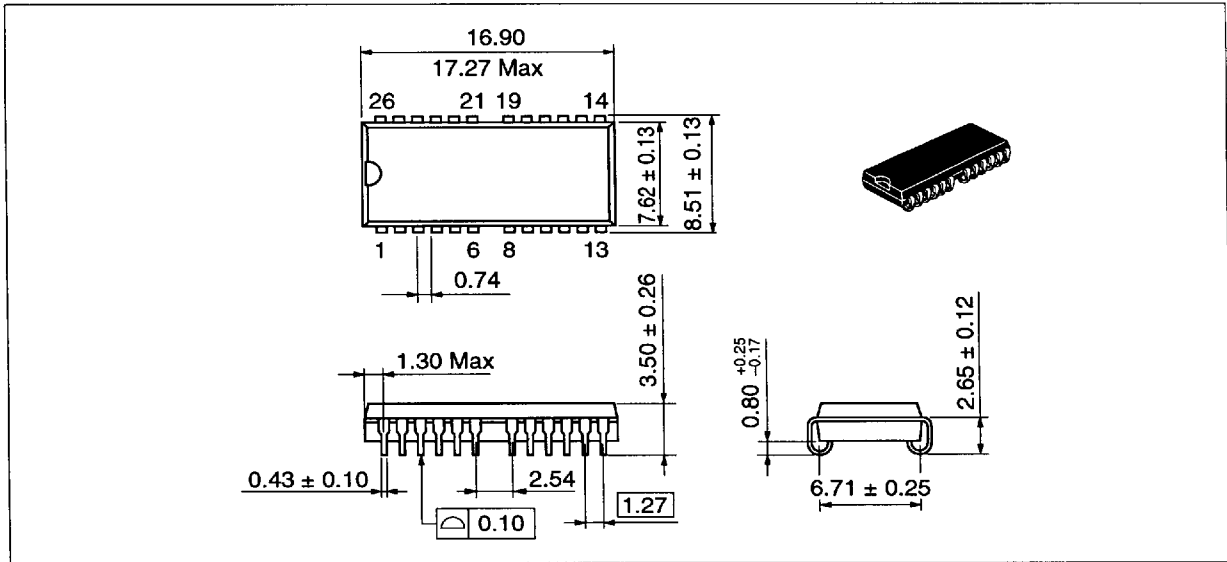
4496203 0027155 717

HM5116400B Series

Package Dimensions

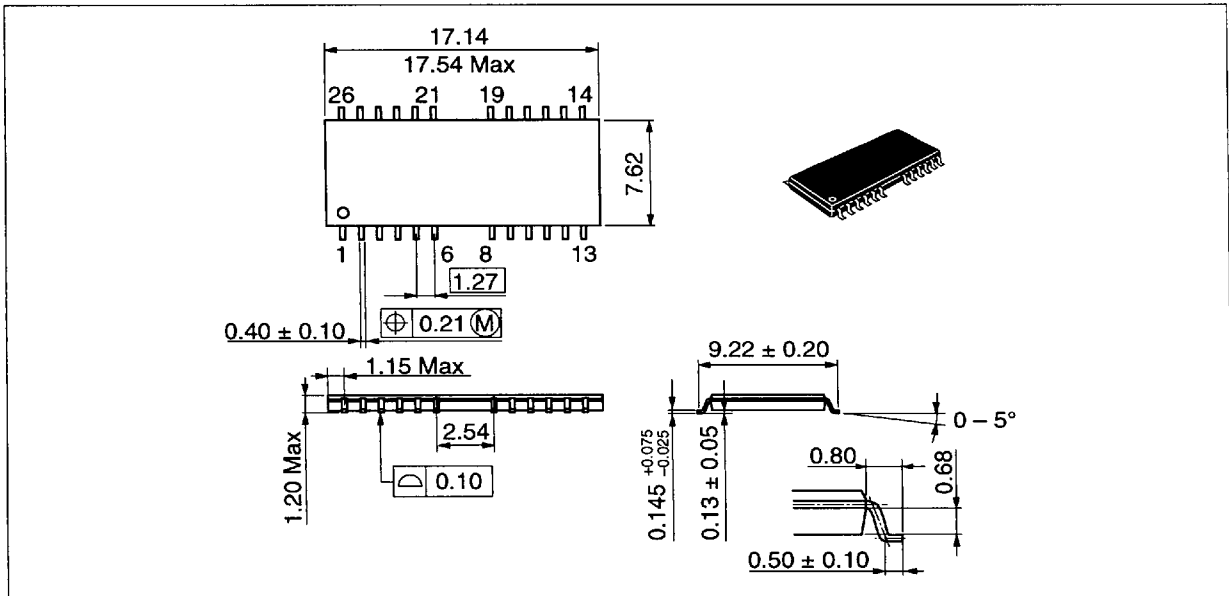
HM5116400BS/BLS Series (CP-26/24DB)

Unit: mm



HM5116400BTS/BLTS Series (TTP-26/24DA)

Unit: mm



HITACHI

25

4496203 0027156 653