

**PLEASE CHECK WWW.MOLEX.COM FOR LATEST PART INFORMATION**

**Part Number:** [0747124002](#)  
**Status:** **Active**  
**Overview:** [ganged\\_rf](#)  
**Description:** 6.25mm (.246") Pitch Ganged RF Header, Vertical, 8 Circuits

**Documents:**

[Drawing \(PDF\)](#) [Product Specification PS-74854-001 \(PDF\)](#)  
[Packaging Specification \(PDF\)](#) [RoHS Certificate of Compliance \(PDF\)](#)

**General**

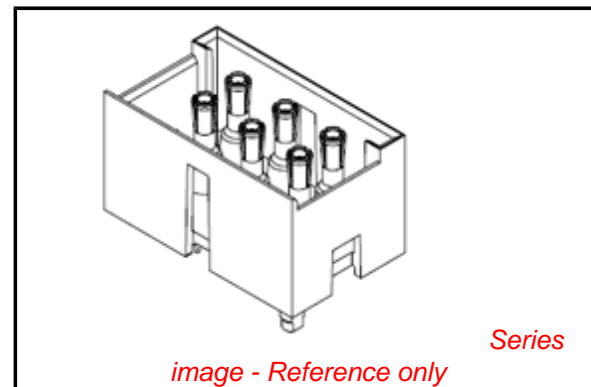
Product Family	Backplane Connectors
Series	<a href="#">74712</a>
Application	Backplane
Comments	Port Numbered 2 Loaded
Component Type	PCB Header
Overview	<a href="#">ganged_rf</a>
Product Name	Ganged RF
Style	N/A

**Physical**

Circuits (Loaded)	2
Circuits (maximum)	8
Circuits Detail	2
Color - Resin	Black, Natural
Durability (mating cycles max)	500
First Mate / Last Break	No
Guide to Mating Part	No
Keying to Mating Part	Yes
Material - Metal	Copper
Material - Resin	High Temperature Thermoplastic, Polyester
Number of Columns	4
Number of Pairs	N/A
Number of Rows	2
Orientation	Vertical
PC Tail Length (in)	0.088 In
PC Tail Length (mm)	2.24 mm
PCB Locator	Yes
PCB Retention	None
PCB Thickness Recommended (in)	0.177 In
PCB Thickness Recommended (mm)	4.50 mm
Packaging Type	Tray
Pitch - Mating Interface (in)	0.246 In
Pitch - Mating Interface (mm)	6.25 mm
Pitch - Term. Interface (in)	0.246 In
Pitch - Term. Interface (mm)	6.25 mm
Polarized to PCB	Yes
Stackable	No
Surface Mount Compatible (SMC)	Yes
Temperature Range - Operating	-40°C to +85°C
Termination Interface: Style	Through Hole - Compliant Pin

**Electrical**

Current - Maximum per Contact	1A
Data Rate	3.0 Gbps
Real Signals (per 25mm)	8
Shield Type	N/A



*image - Reference only*

**EU RoHS**

**RoHS Compliant by Exemption**

**REACH SVHC**

Not Reviewed

**Halogen-Free**

**Status**

**Not Reviewed**

**China RoHS**



Pb

**Need more information on product environmental compliance?**

Email [productcompliance@molex.com](mailto:productcompliance@molex.com)  
 For a multiple part number RoHS Certificate of Compliance, [click here](#)

Please visit the [Contact Us](#) section for any non-product compliance questions.

**Search Parts in this Series**

[74712Series](#)

**Mates With**

[74642 Ganged RF Receptacle](#)

Shielded  
Voltage - Maximum

No  
50V AC

**Material Info**

**Reference - Drawing Numbers**

Packaging Specification  
Product Specification  
Sales Drawing

PK-74712-001  
PS-74854-001  
SD-74712-002

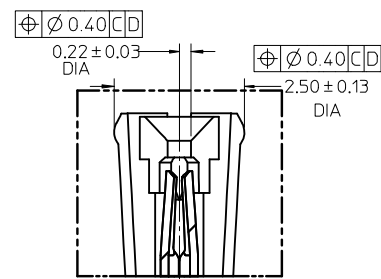
This document was generated on 05/15/2010

**PLEASE CHECK [WWW.MOLEX.COM](http://WWW.MOLEX.COM) FOR LATEST PART INFORMATION**

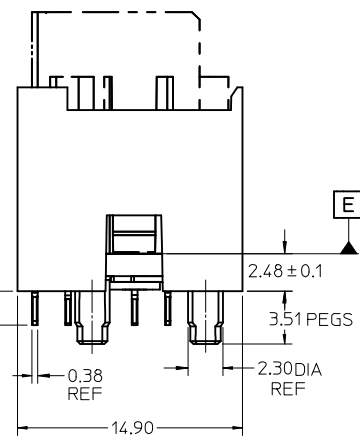
MATERIAL NO.	POSITION OF LOADED TERMINAL(S)	PACKAGING SPEC.
74712-4001	2, 5, 8, 11	PK-74712-001
74712-4002	2	
74712-4003	2, 5, 8, 11	PK-74712-002

NOTES:

- MATERIAL:
  - HOUSING: GLASS FILLED THERMO PLASTIC, 94V-0
  - INSULATOR: GLASS FILLED THERMO PLASTIC, 94V-0
  - PACKAGING HEADER: GLASS FILLED THERMO PLASTIC, 94V-0
  - TERMINALS AND GROUND: TIN BRASS
  - OUTER GROUND CONTACT: PHOSPHOR BRONZE
- PLATING:
  - TERMINALS:
    - SELECTIVE 0.76 MICRONS MIN. GOLD IN CONTACT AREA
    - SELECTIVE 0.88 MICRONS MIN. TIN BOTH OVER
    - 1.27 MICRONS MIN. NICKEL UNDERPLATE
  - GROUNDS:
    - 0.88 MICRONS MIN. TIN OVERALL OVER
    - 1.27 MICRONS MIN. NICKEL UNDERPLATE
  - OUTER GROUND CONTACT:
    - 0.76 MICRONS MIN. GOLD OVERALL OVER
    - 1.27 MICRONS MIN. NICKEL UNDERPLATE
- REFER TO PRODUCT SPEC.: PS-74854-001 FOR ELECTRICAL, MECHANICAL AND ENVIRONMENTAL REQUIREMENTS.
- REFER TO PACKAGING SPEC STATED IN CHARTS FOR DETAILS OF THE PACKAGING REQUIREMENTS.
- DATE CODE MARKING TO BE LOCATED ANYWHERE ON PLASTIC HOUSING. FIRST TWO DIGITS = WEEK NUMBER. LAST TWO DIGITS = YEAR.



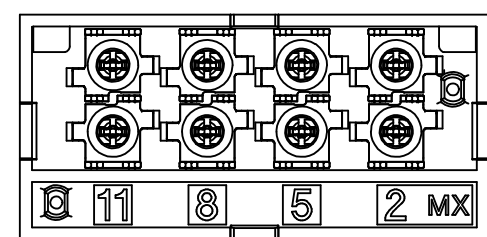
SECTION Z Z  
SCALE 14:1



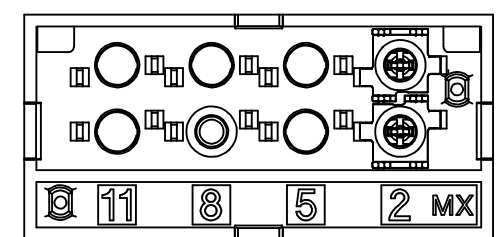
2.24 +0.35  
-0.20  
TAILS TYP.

0.38 REF.

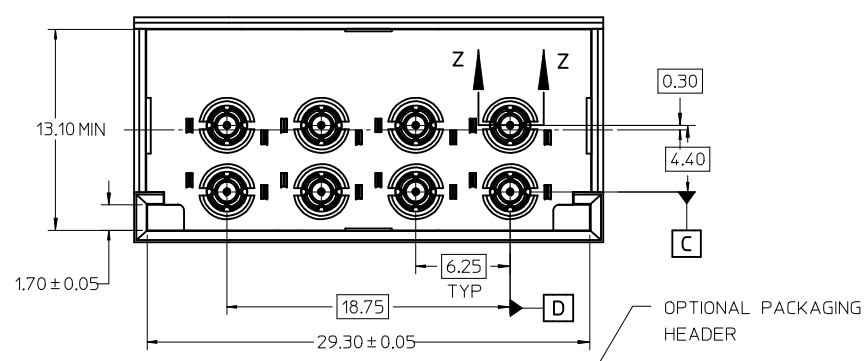
CONTACT LOADING OPTIONS FOR 8 POS CONNECTORS



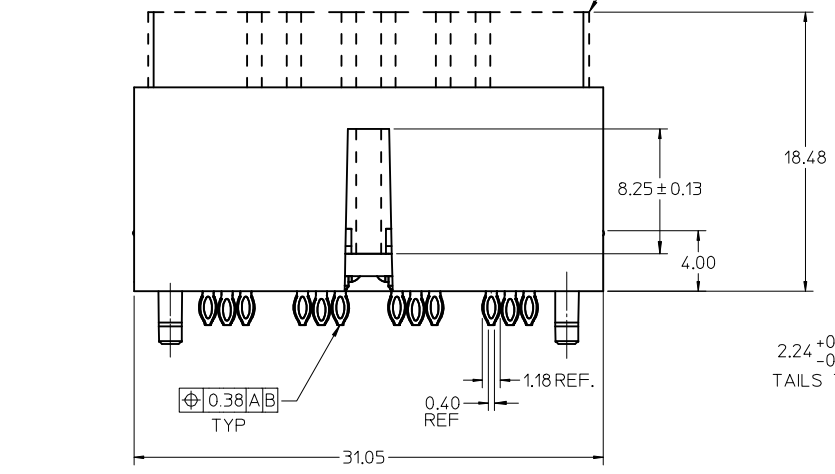
MAT'L NO. 74712-4001/-4003  
POSITION 2, 5, 8 & 11 LOADED



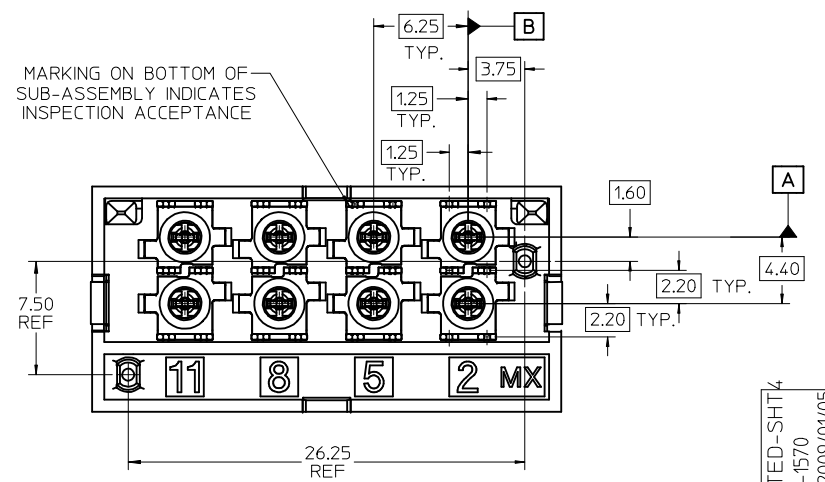
MAT'L NO. 74712-4002  
POSITION 2 LOADED



OPTIONAL PACKAGING  
HEADER



MARKING ON BOTTOM OF  
SUB-ASSEMBLY INDICATES  
INSPECTION ACCEPTANCE

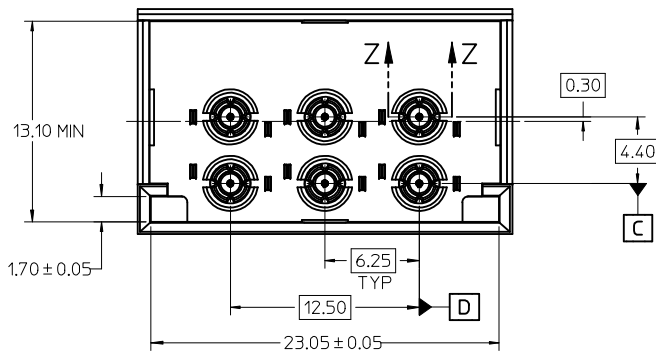


8 POS. CONNECTOR SHOWN

ADDED-UNPLATED-SHT4  
EC NO: UCP2009-1570  
DRWN: JMENDOZA2009/01/05  
CHKD: JBINGHAM 2009/01/05  
APPR: JBINGHAM 2009/01/05

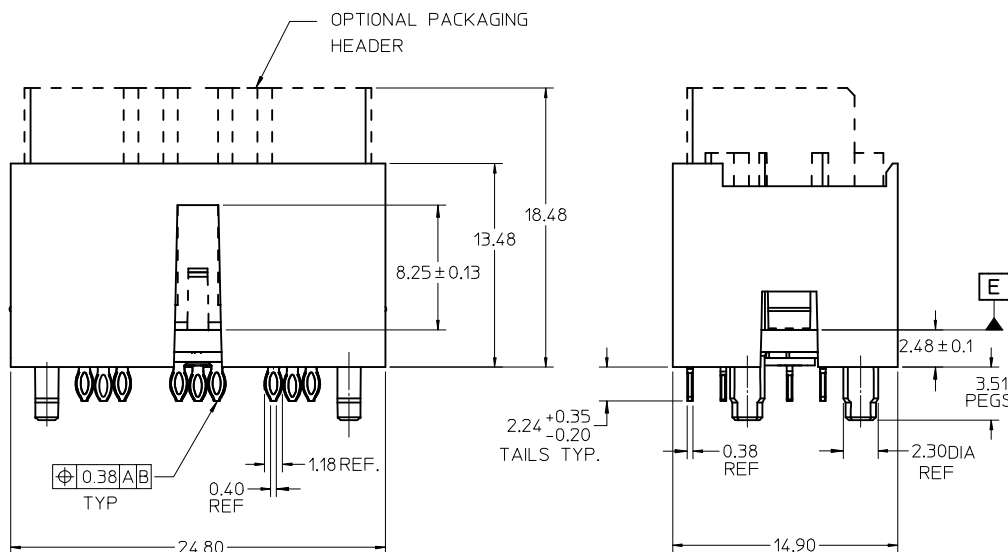
QUALITY SYMBOLS	GENERAL TOLERANCES (UNLESS SPECIFIED)		SCALE 4:1	DESIGN UNITS METRIC	THIRD ANGLE PROJECTION	REVISE ON CAD ONLY
	mm	INCH				
▽ -0	4 PLACES ± ---	± ---	DIMENSION STYLE MM ONLY	DRAWN BY DATE SREED 2006/06/06	TITLE SALES DRAWING FOR VERTICAL GANGED RF CONNECTOR, SHORT TAILS	SHEET NO. 1 OF 5
▽ -0	3 PLACES ± ---	± ---				
	2 PLACES ± ---	± ---				
	1 PLACE ± ---	± ---				
	ANGULAR ± 2 °		CHECKED BY DATE JBINGHAM 2006/06/06	MATERIAL NO. DOCUMENT NO. SHEET NO. SEE CHART SD-74712-002 1 OF 5		
DRAFT WHERE APPLICABLE MUST REMAIN WITHIN DIMENSIONS			THIS DRAWING CONTAINS INFORMATION THAT IS PROPRIETARY TO MOLEX INCORPORATED AND SHOULD NOT BE USED WITHOUT WRITTEN PERMISSION			



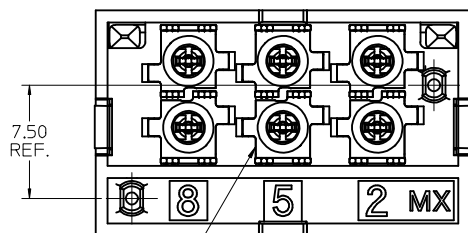


MATERIAL NO.	POSITION OF LOADED TERMINAL(S)	OPTIONAL PACKAGING HEADER	PACKAGING SPEC.
74712-5001	2, 5, 8	YES	PK-74712-101
74712-5002	2, 8	YES	
74712-5003	2	YES	
74712-5004	8	YES	PK-74712-102
74712-5005	2, 5, 8	YES	
74712-5006	2	YES	

NOTE: REFER TO SHEET 1 FOR ALL DIMENSIONS, SECTION VIEW AND NOTES NOT SHOWN.

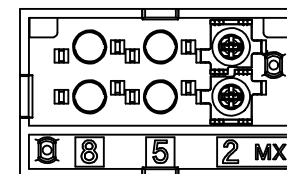


6 POS. CONNECTOR SHOWN

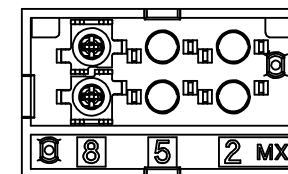


MARKING ON BOTTOM OF SUB-ASSEMBLY INDICATES INSPECTION ACCEPTANCE

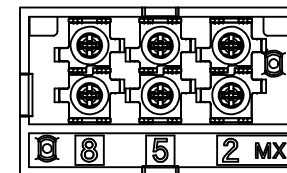
CONTACT LOADING OPTIONS FOR 6 POS. CONNECTOR



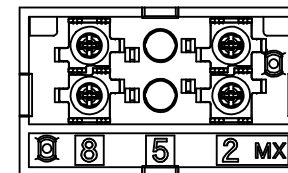
MATL NO.: 74712-5003/-5006  
POSITION 2 LOADED ONLY



MATL NO.: 74712-5004  
POSITION 8 LOADED ONLY

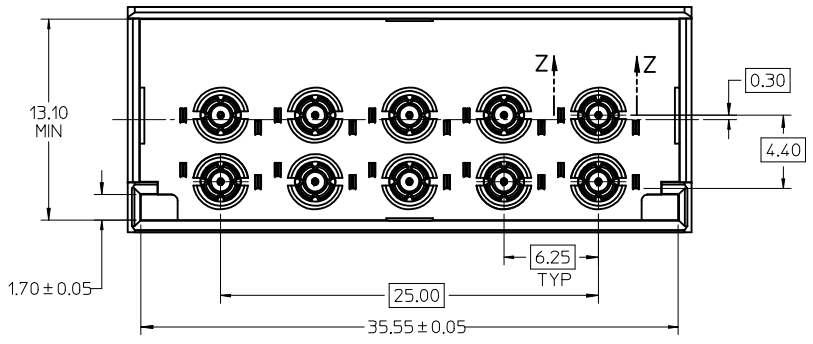


MATL NO.: 74712-5001/-5005  
POSITIONS 2, 5 & 8 LOADED



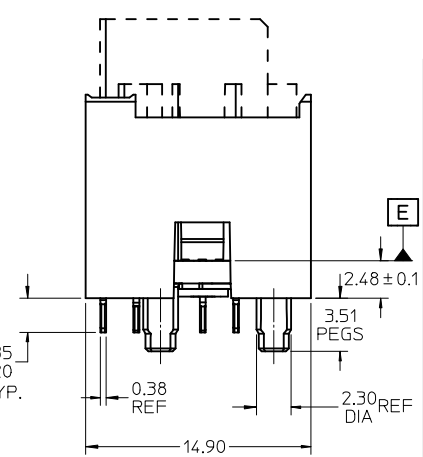
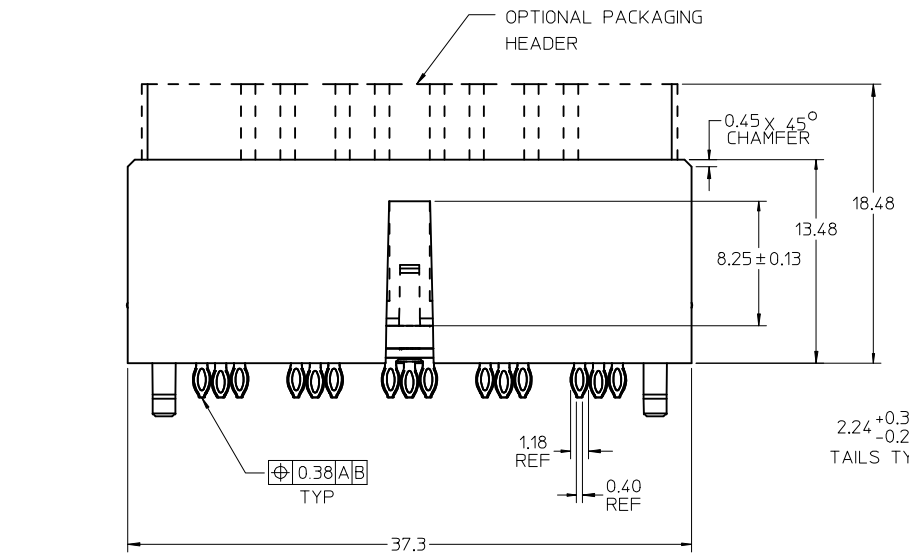
MATL NO.: 74712-5002  
POSITIONS 2 & 8 LOADED

SEE SHEET 1 EC NO: UCP2009-1570 DRWN: JMENDOZA2009/01/05 CHKD: BINGHAM 2009/01/05 APPR: BINGHAM 2009/01/05	QUALITY SYMBOLS ▽ -0 ∇ -0	GENERAL TOLERANCES (UNLESS SPECIFIED)		SCALE 4:1	DESIGN UNITS METRIC	THIRD ANGLE PROJECTION	REVISE ON CAD ONLY	
		mm	INCH	DIMENSION STYLE MM ONLY		TITLE		
		4 PLACES ± --- ± ---	3 PLACES ± --- ± ---	DRAWN BY SREED	DATE 2006/06/06	SALES DRAWING FOR VERTICAL GANGED RF CONNECTOR, SHORT TAILS		
		2 PLACES ± --- ± ---	1 PLACE ± --- ± ---	CHECKED BY JBINGHAM	DATE 2006/06/06			
DRAFT WHERE APPLICABLE		ANGULAR ± 2 °		APPROVED BY SREED	DATE 2006/06/06	MATERIAL NO. SEE CHART	DOCUMENT NO. SD-74712-002	
MUST REMAIN WITHIN DIMENSIONS				THIS DRAWING CONTAINS INFORMATION THAT IS PROPRIETARY TO MOLEX INCORPORATED AND SHOULD NOT BE USED WITHOUT WRITTEN PERMISSION		SHEET NO. 2 OF 5		

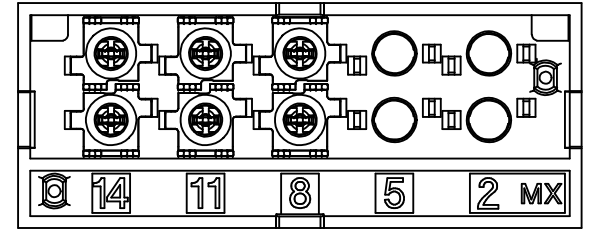


NOTE: REFER TO SHEET 1 FOR ALL DIMENSIONS, SECTION VIEW AND NOTES NOT SHOWN.

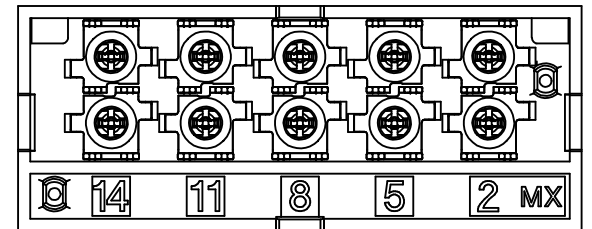
MATERIAL NO.	POSITION OF LOADED TERMINAL(S)	PACKAGING SPEC.
74712-6001	2, 5, 8, 11, 14	PK-74712-210
74712-6002	8, 11, 14	



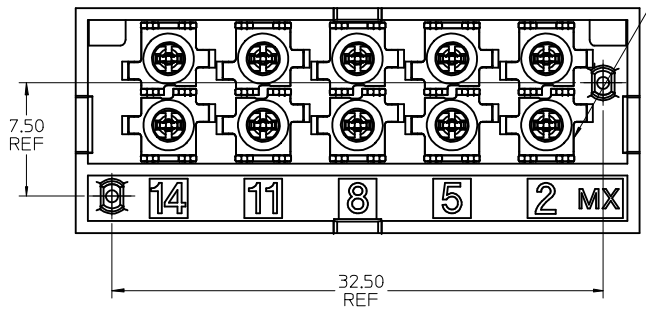
CONTACT LOADING OPTIONS FOR 10 POSITION CONNECTORS



MAT'L NO. 74712-6002  
POSITIONS 8, 11 & 14 LOADED



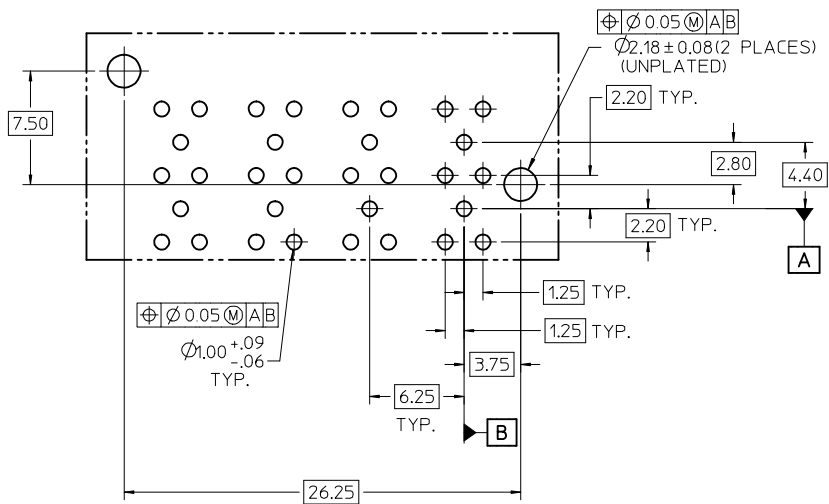
MAT'L NO. 74712-6001  
POSITIONS 2, 5, 8, 11 & 14 LOADED



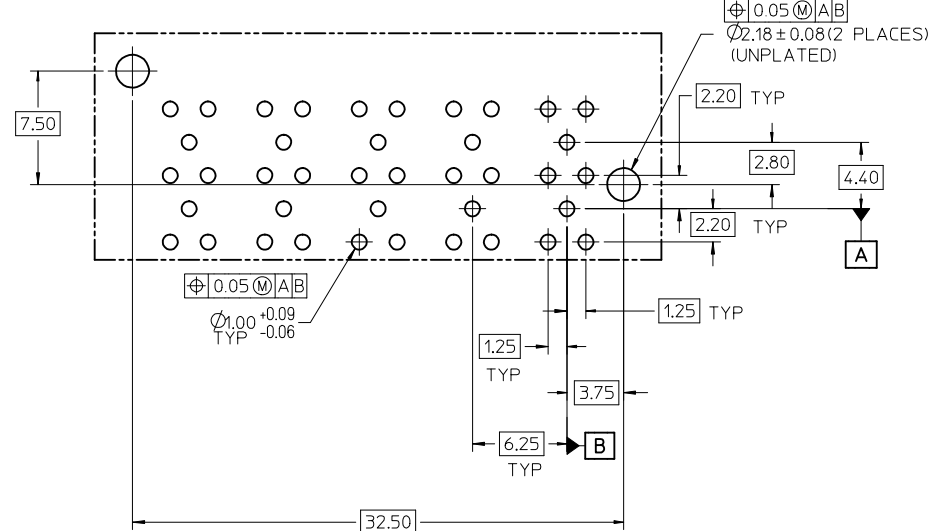
MARKING ON BOTTOM OF SUB-ASSEMBLY INDICATES INSPECTION ACCEPTANCE

10 POSITION CONNECTOR SHOWN

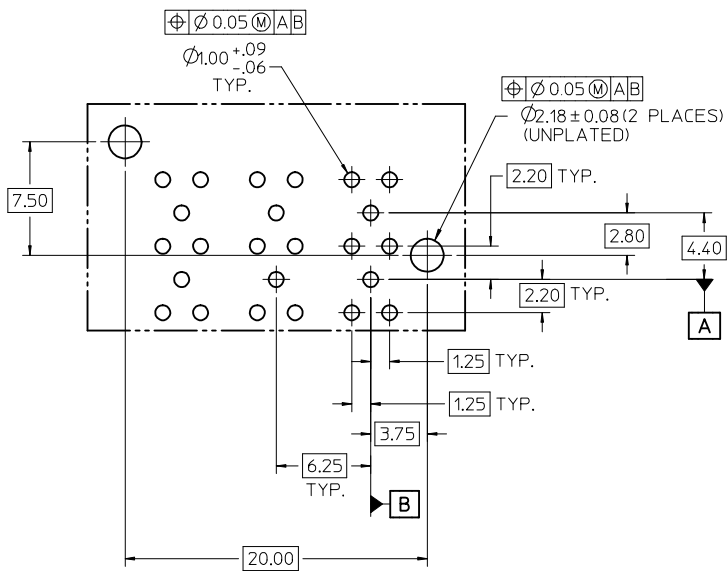
SEE SHEET 1 EC NO: UCP2009-1570 DRWN: JMENDOZA2009/01/05 CHKD: JBINGHAM 2009/01/05 APPR: JBINGHAM 2009/01/05	QUALITY SYMBOLS	GENERAL TOLERANCES (UNLESS SPECIFIED)	SCALE 4:1	DESIGN UNITS METRIC	THIRD ANGLE PROJECTION	REVISE ON CAD ONLY															
	▼ -0 ∇ -0	<table border="1"> <thead> <tr> <th></th> <th>mm</th> <th>INCH</th> </tr> </thead> <tbody> <tr> <td>4 PLACES</td> <td>± ---</td> <td>± ---</td> </tr> <tr> <td>3 PLACES</td> <td>± ---</td> <td>± ---</td> </tr> <tr> <td>2 PLACES</td> <td>± ---</td> <td>± ---</td> </tr> <tr> <td>1 PLACE</td> <td>± ---</td> <td>± ---</td> </tr> </tbody> </table>		mm	INCH	4 PLACES	± ---	± ---	3 PLACES	± ---	± ---	2 PLACES	± ---	± ---	1 PLACE	± ---	± ---	DIMENSION STYLE <b>MM ONLY</b>	TITLE	SALES DRAWING FOR VERTICAL GANGED RF CONNECTOR, SHORT TAILS	
			mm	INCH																	
		4 PLACES	± ---	± ---																	
3 PLACES	± ---	± ---																			
2 PLACES	± ---	± ---																			
1 PLACE	± ---	± ---																			
DRAFT WHERE APPLICABLE MUST REMAIN WITHIN DIMENSIONS	APPROVED BY: SREED DATE: 2006/06/06	APPROVED BY: JBINGHAM DATE: 2006/06/06	DRAWN BY: SREED DATE: 2006/06/06	CHECKED BY: JBINGHAM DATE: 2006/06/06	MOLEX INCORPORATED	DOCUMENT NO. SD-74712-002 SHEET NO. 3 OF 5															
	THIS DRAWING CONTAINS INFORMATION THAT IS PROPRIETARY TO MOLEX INCORPORATED AND SHOULD NOT BE USED WITHOUT WRITTEN PERMISSION																				



RECOMMENDED PCB LAYOUT  
FOR THE 8 POSITION CONNECTOR  
COMPONENT SIDE  
MAX. BOARD THICKNESS: 4.50



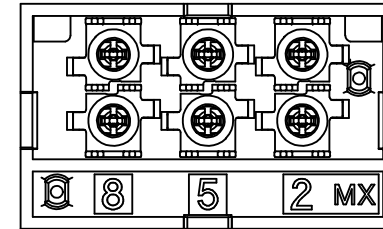
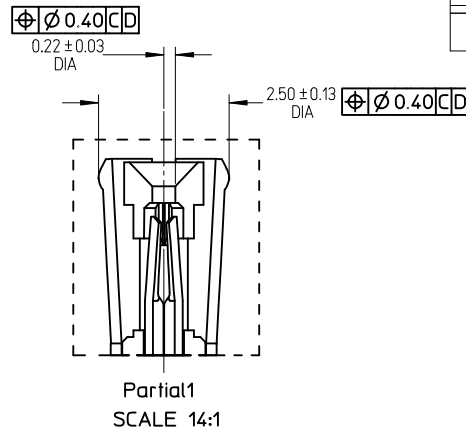
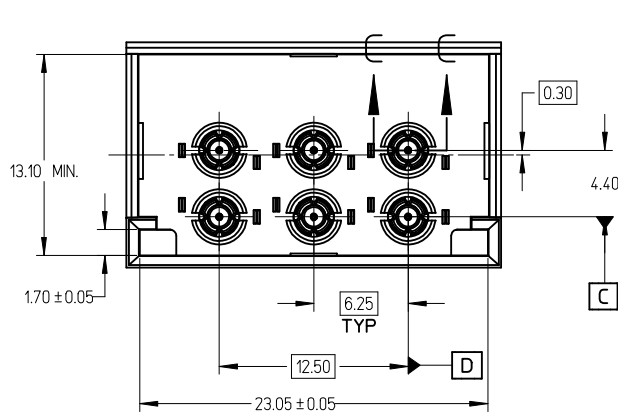
RECOMMENDED PCB LAYOUT  
FOR THE 10 POSITION CONNECTOR  
COMPONENT SIDE  
MAX. BOARD THICKNESS: 4.50



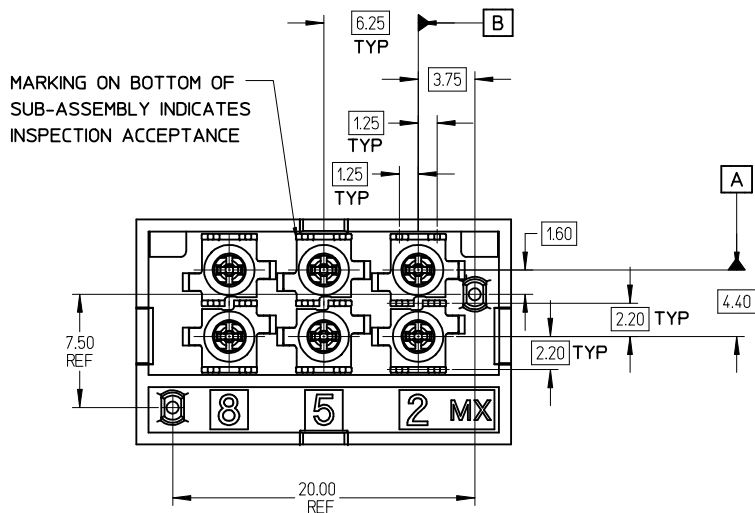
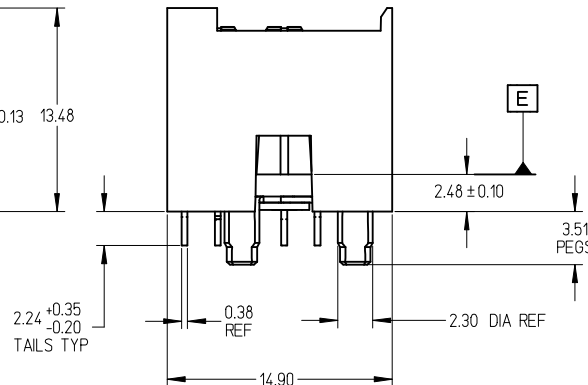
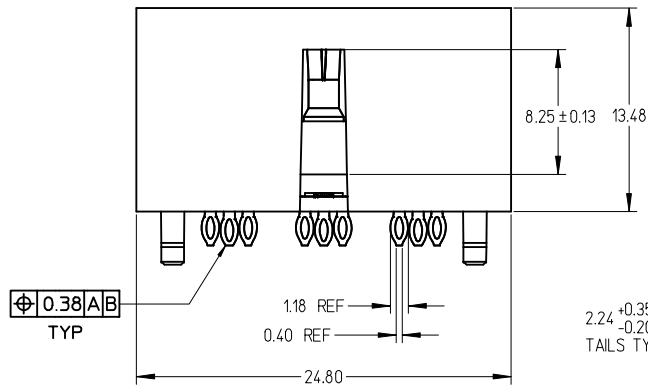
RECOMMENDED PCB LAYOUT  
FOR THE 6 POSITION CONNECTOR  
COMPONENT SIDE  
MAX. BOARD THICKNESS: 4.50

SEE SHEET 1 EC NO: JCP2009-1570 DRWN: JMENDOZA2009/01/05 CHKD: JBINGHAM 2009/01/05 APPR: JBINGHAM 2009/01/05	QUALITY SYMBOLS	GENERAL TOLERANCES (UNLESS SPECIFIED)		SCALE 4:1	DESIGN UNITS METRIC	THIRD ANGLE PROJECTION	REVISE ON CAD ONLY
	▼ -0 ∇ ±0		mm	INCH	DIMENSION STYLE		TITLE SALES DRAWING FOR VERTICAL GANGED RF CONNECTOR, SHORT TAILS MOLEX INCORPORATED SEE CHARTS SD-74712-002
		4 PLACES	± ---	± ---	MM ONLY		
		3 PLACES	± ---	± ---	DRAWN BY SREED	DATE 2006/06/06	
	2 PLACES	± ---	± ---	CHECKED BY JBINGHAM	DATE 2006/06/06		
	1 PLACE	± ---	± ---	ANGULAR ± 2 °			
	DRAFT WHERE APPLICABLE	MUST REMAIN WITHIN DIMENSIONS		APPROVED BY SREED	DATE 2006/06/06	MATERIAL NO.	DOCUMENT NO. SD-74712-002
				THIS DRAWING CONTAINS INFORMATION THAT IS PROPRIETARY TO MOLEX INCORPORATED AND SHOULD NOT BE USED WITHOUT WRITTEN PERMISSION		SHEET NO. 4 OF 5	

MATERIAL NO.	POSITION OF LOADED TERMINAL(S)	OPTIONAL PACKAGING HEADER	PACKAGING SPEC.
74712-5007	2, 5, 8	NO	PK-74712-101



MATL NO.: 74712-5007  
POSITIONS 2, 5 & 8 LOADED



6 POS. CONNECTOR SHOWN

NOTES:

- MATERIAL:  
HOUSING: GLASS FILLED THERMO PLASTIC, 94V-0  
INSULATOR: GLASS FILLED THERMO PLASTIC, 94V-0  
TERMINALS AND GROUND: TIN BRASS  
OUTER GROUND CONTACT: PHOSPHOR BRONZE
- PLATING:  
TERMINALS:  
SELECTIVE 0.76 MICRONS MIN. GOLD IN CONTACT AREA  
SELECTIVE 0.88 MICRONS MIN. TIN BOTH OVER  
1.27 MICRONS MIN. NICKEL UNDERPLATE  
GROUNDS:  
0.88 MICRONS MIN. TIN OVERALL OVER  
1.27 MICRONS MIN. NICKEL UNDERPLATE  
OUTER GROUND CONTACT:  
0.76 MICRONS MIN. GOLD OVERALL OVER  
1.27 MICRONS MIN. NICKEL UNDERPLATE
- REFER TO PRODUCT SPEC.: PS-74854-001 FOR ELECTRICAL, MECHANICAL AND ENVIRONMENTAL REQUIREMENTS.
- REFER TO PACKAGING SPEC STATED IN CHARTS FOR DETAILS OF THE PACKAGING REQUIREMENTS.
- DATE CODE MARKING TO BE LOCATED ANYWHERE ON PLASTIC HOUSING. FIRST TWO DIGITS = WEEK NUMBER. LAST TWO DIGITS = YEAR.

REV	DESCRIPTION	QUALITY SYMBOLS	GENERAL TOLERANCES (UNLESS SPECIFIED)		DIMENSION STYLE	SCALE	DESIGN UNITS	THIRD ANGLE PROJECTION
			mm	INCH	MM ONLY	4:1	METRIC	
SEE SHEET 1		▽=0			DRAWN BY			SALES DRAWING FOR VERTICAL GANGED RF CONNECTOR, SHORT TAILS MOLEX INCORPORATED SD-74712-002 SHEET NO. 5 OF 5
D	EC NO: UCP2009-1570 2009/01/05 DRWN: J.MENDOZA 2009/01/05 CHKD: J.BINGHAM 2009/01/05 APPR: J.BINGHAM 2009/01/05	▽=0	4 PLACES ± ---	± ---	DATE			
			3 PLACES ± ---	± ---	SREED	2006/06/06		
			2 PLACES ± ---	± ---	CHECKED BY	DATE		
			1 PLACE ± ---	± ---	J.BINGHAM	2006/06/06		
			ANGULAR ± 2 °		APPROVED BY	DATE		
			DRAFT WHERE APPLICABLE MUST REMAIN WITHIN DIMENSIONS		SREED	2006/06/06		
					MATERIAL NO.			
					SEE CHART			
					DOCUMENT NO.			
					SIZE			
					THIS DRAWING CONTAINS INFORMATION THAT IS PROPRIETARY TO MOLEX INCORPORATED AND SHOULD NOT BE USED WITHOUT WRITTEN PERMISSION			