

DWG. NO.
SD-35044-001

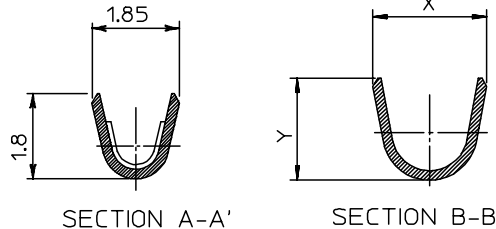
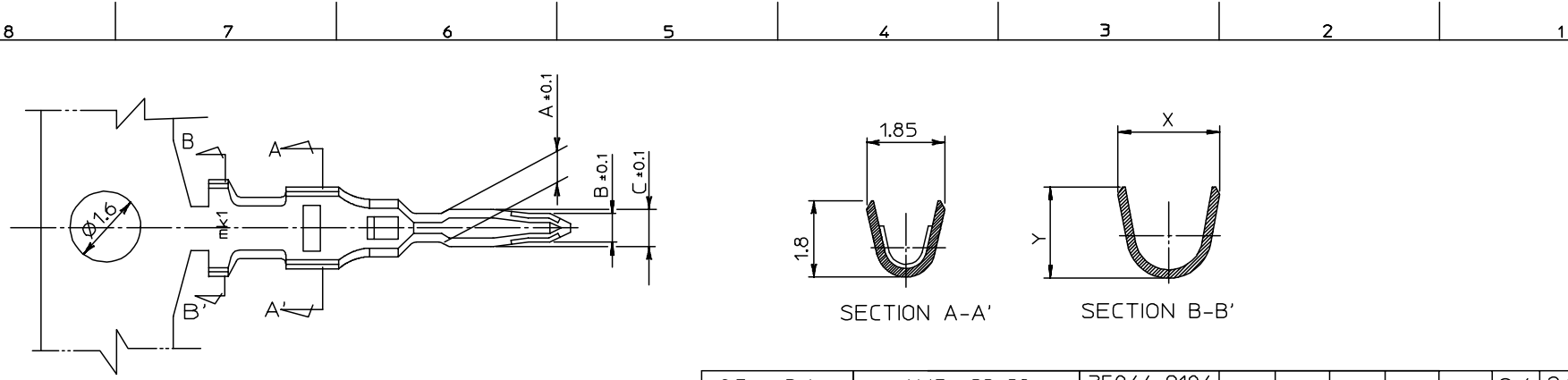
SIMILAR ITEM

PROJECT NO.

C

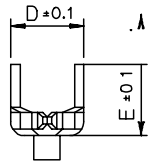
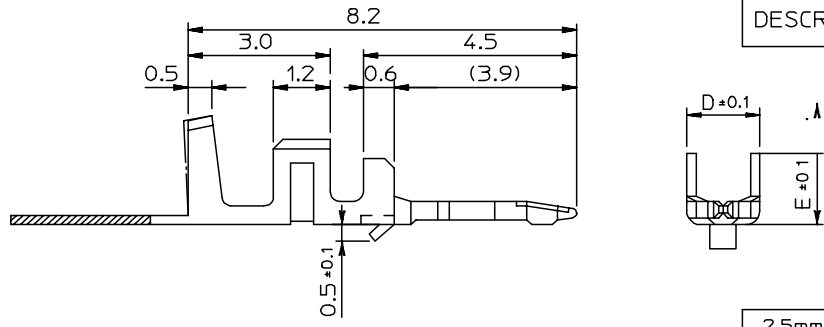
B

DO NOT SCALE DRAWING
DIMENSION IN METRIC



2.5mm B-In TYPE	AWG #22~28 (INS.DIA:∅1.9mm MAX.)	35044-9104 35044-9103	0.70	0.68	1.05	1.55	1.50	2.4	2.15
2.0mm B-In TYPE	AWG #24~28 (INS.DIA:∅1.5mm MAX.)	35044-9102 35044-9101	0.65	0.65	0.85	1.40	1.40	2.4	2.15
DESCRIPTION	⊕ WIRE RANGE	ENG. NO.	DIMENSION						
			A	B	C	D	E	X	Y

PRE-PLATING ENG NO.



2.5mm B-In TYPE	AWG #22~28 (INS.DIA:∅1.9mm MAX.)	35044-9410 35044-9310	0.70	0.68	1.05	1.55	1.50	2.4	2.15
2.0mm B-In TYPE	AWG #24~28 (INS.DIA:∅1.5mm MAX.)	35044-9210 35044-9110	0.65	0.65	0.85	1.40	1.40	2.4	2.15
DESCRIPTION	⊕ WIRE RANGE	ENG. NO.	DIMENSION						
			A	B	C	D	E	X	Y

POST-PLATING ENG NO.

NOTE

1. MATERIAL : BRASS
 2. FINISHES
 - 1) PRE-PLATING : 0.9 MICROMETER TIN(Sn) MINIMUM OVER 0.5 MICROMETER MINIMUM COPPER OVERALL
 - 2) POST-PLATING : 1~3 MICROMETER TIN-LEAD(Sn-Pb) OVER 1 MICROMETER MINIMUM COPPER OVERALL
 3. WIRE STRIP LENGTH : 2.0 ~ 2.5MM
 4. TERMINAL INSERTION FORCE: 1.0kgf MAX.
 5. TERMINAL RETENTION FORCE: 1.0kgf MIN.
 6. USED WITH HOUSING : 35022, 35023, 35516
 7. WIRE CRIMPING WIDTH : CONDUCTOR BARREL : 1.2mm
INSULATION BARREL : 1.3mm
 - ⊕8. APPLICABLE WIRE RANGE : AWG #22~#28 (SEE TABLE)
 - ⊕9. APPLICABLE INSULATION RANGE : ∅1.5~1.9mm MAX.
 10. PCB HOLE SIZE(Ref.) : 2.0 PITCH - ∅0.8±0.05
2.5 PITCH - ∅1±0.05
- DETAIL SIZE REFERS 35022 & 35023 DRAWINGS.

REVISED EC NO: KOR2007-0027 DRWN: JHLEE 06/09/13 CHK: KS.KIM 06/09/13 APPR: YSOOKIM 06/09/13	QUALITY SYMBOLS MAJOR CRITICAL C	GENERAL TOLERANCES: (UNLESS SPECIFIED)		SCALE	DESIGN UNITS	THIRD ANGLE PROJECTION	DIMENSIONS:			SHT	REV	
		mm	INCH	10-1	<input checked="" type="checkbox"/> mm <input type="checkbox"/> INCH		<input type="checkbox"/> mm <input type="checkbox"/> INCH	<input type="checkbox"/> mm <input checked="" type="checkbox"/> INCH	<input type="checkbox"/> mm <input type="checkbox"/> INCH	<input type="checkbox"/> mm <input type="checkbox"/> INCH	<input type="checkbox"/> mm <input type="checkbox"/> INCH	REVISE ON CAD ONLY
		DESCRIPTION	4 PLACES	±0.	±.	DRAWN BY & DATE		TITLE: TERMINAL FOR 2.0/2.5 B-In CONN.				
		REV	3 PLACES	±0.	±.	CYCHO 93.01.28						
	2 PLACES	±0.15	±.	CHECKED BY & DATE		MOLEX INCORPORATED						
	1 PLACE	±0.2	±.	JKOH								
		ANGULAR: ± 1 °		APPROVED BY & DATE		MATERIAL NO. SEE TABLE DRAWING NO. SD-35044-001 SHEET NO. 1/1						
		DRAFT WHERE APPLICABLE MUST REMAIN WITHIN DIMENSIONS		CWLEE								
				CAD FILENAME		THIS DRAWING CONTAINS INFORMATION THAT IS PROPRIETARY TO MOLEX INCORPORATED AND SHOULD NOT BE USED WITHOUT WRITTEN PERMISSION.						
				SD35044.DGN		SIZE B						