

6

5

4

3

2

1

MATERIAL AND FINISH:

Insulator: Polycarbonate, UL-94V-0 rated

Contacts: IEC C14 70°C: Brass, Nickel plated

IEC C16 120°C: Bronze, Nickel plated

ELECTRICAL SPECIFICATIONS:

Current rating: 10 A

Voltage rating: 250 VAC

ORDERING CODE:

42R04-__ 1 __ 1
1 2

1) ELECTRICAL CIRCUIT CONFIGURATION

1 = IEC C14 10A 250V 70°C
2+GROUND

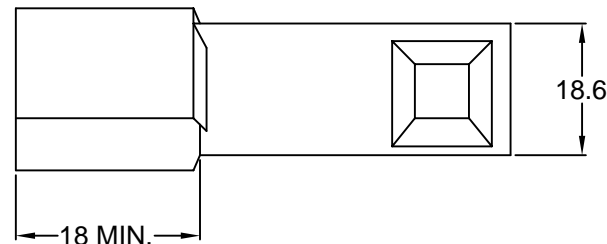
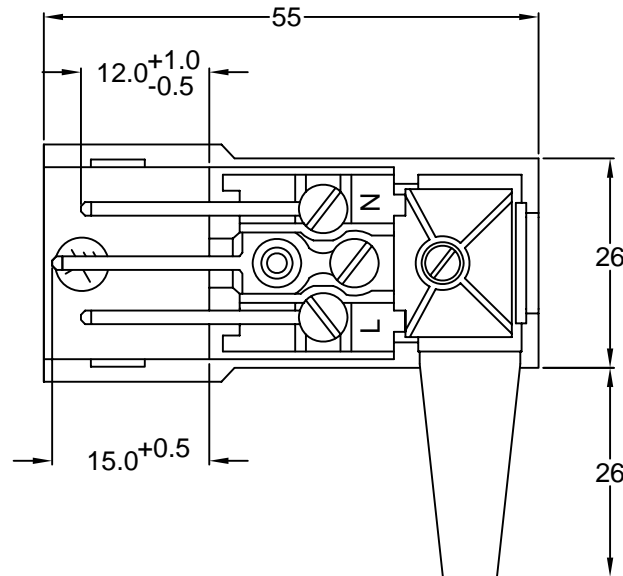
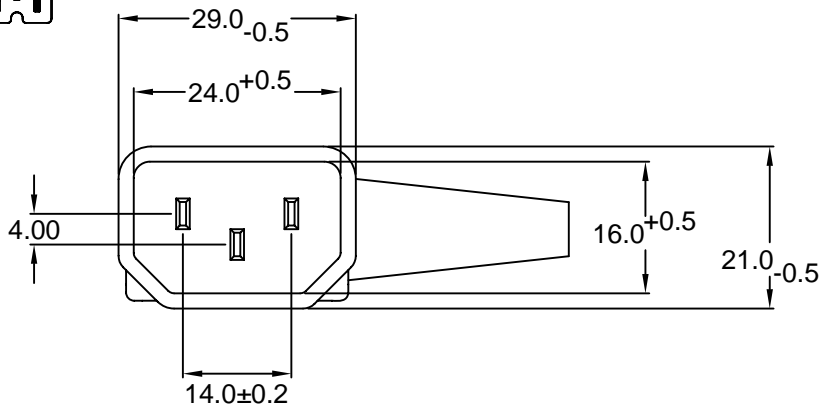


2 = IEC C16 10A 250V 120°C
2+GROUND



2) COLOR

1 = BLACK
2 = GRAY

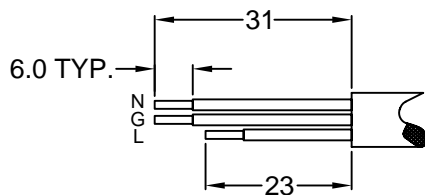


NOTES:

1. Contains integral cable clamp strain relief & internal screw type connections. Maximum wire gauge is 16AWG stranded.

2. Recommended screw torque: 1.2Nm

3. Recommended strip length for jacket and conductors:



**RoHS
COMPLIANT**

REV	DATE	CHANGE	CHNG CHECK APPR		
			PB	DF	PB
A	1/25/07	ADD NOTES 2 & 3; RoHS	PB	DF	
B	11/10/08	29.0-0.5 WAS 28.2+0.3	PB	PB	
C	6/9/10	ADD C16 CONTACT MATERIAL	PB	PB	

TOLERANCE UNLESS OTHERWISE SPECIFIED	
X	± 1
X.X	± 0.4
X.XX	± 0.20

DRAWN BY	GQ	DATE:	08/17/01
CHECK BY	TD	DATE:	08/20/01
APPR BY	PB	DATE:	08/21/01

Power Dynamics, Inc.

Phone: 973 560-0019 Whippany, New Jersey Fax: 973 560-0076

**PART: IEC 60320 C14 & C16 MALE POWER CORD
PLUG; R/A LEFT HANDED CONNECTION**

42R04-X1X1 SHEET 1 of 1

SIZE: A ALL DIMENSIONS FOR REFERENCE ONLY
SCALE: NTS DIMENSIONS ARE IN MILLIMETERS REV: C