

FEATURES AND SPECIFICATIONS

Features and Benefits

- Sizes 2 to 15 circuits
- Locking windows provides secure mating

Reference Information

Packaging: Bag
 UL File No.: E29179
 CSA File No.: LR19980
 Mates With: [51004](#)
 Designed In: Millimeters

Electrical

Voltage: 125V
 Current:

AWG	24	26	28	30-34
Amperes	2.0	1.5	1.0	0.5

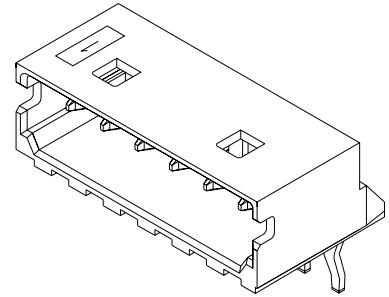
Contact Resistance: 20mΩ max.
 Dielectric Withstanding Voltage: 500V AC/1 min.
 Insulation Resistance: 1000 MΩ min.

Physical

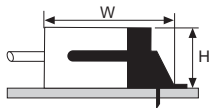
Housing: Glass-filled 6/6 nylon, UL 94V-0
 Contact: Phosphor Bronze
 Plating: Tin
 Operating Temperature: -20 to +85°C

molex® 2.00mm (.079") Pitch Wire-to-Board Header

53015 Right Angle

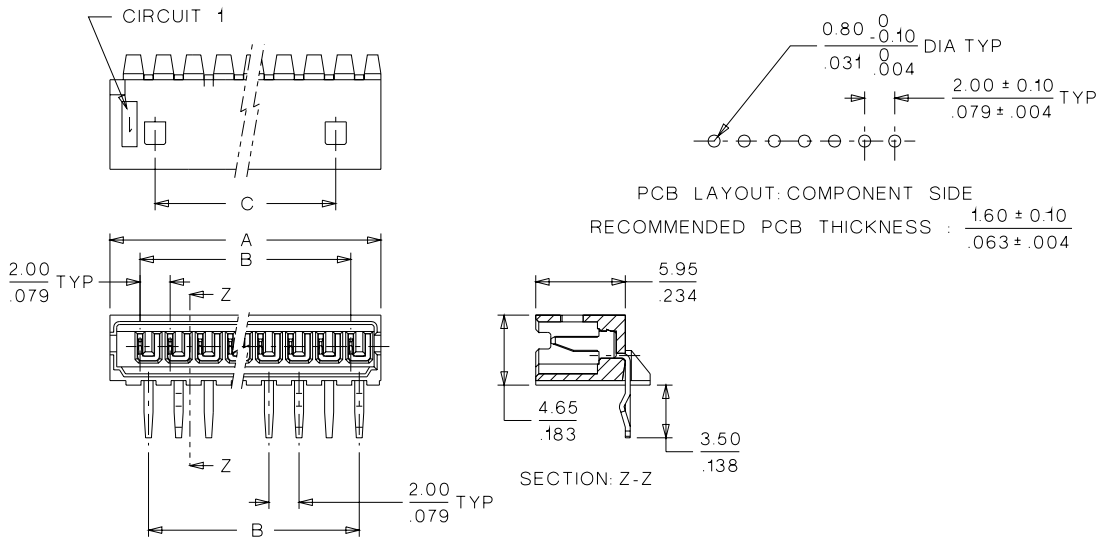


Mating Dimensions
 53015 • 51004 • 50011
 H=4.7mm W=9.3mm



2.00 to 2.50mm (.079 to .098") Pitch

CATALOG DRAWING (FOR REFERENCE ONLY)



ORDERING INFORMATION AND DIMENSIONS

Circuits	Order No.	Dimension		
		A	B	C
2	53015-0210	6.00 (.236)	2.00 (.079)	—
3	53015-0310	8.00 (.315)	4.00 (.157)	—
4	53015-0410	10.00 (.394)	6.00 (.236)	4.00 (.157)
5	53015-0510	12.00 (.472)	8.00 (.314)	6.00 (.236)
6	53015-0610	14.00 (.551)	10.00 (.393)	8.00 (.314)
7	53015-0710	16.00 (.630)	12.00 (.472)	10.00 (.393)
8	53015-0810	18.00 (.709)	14.00 (.551)	12.00 (.472)
9	53015-0910	20.00 (.787)	16.00 (.629)	14.00 (.551)
10	53015-1010	22.00 (.866)	18.00 (.708)	16.00 (.629)
11	53015-1110	24.00 (.945)	20.00 (.787)	18.00 (.708)
12	53015-1210	26.00 (1.024)	22.00 (.866)	20.00 (.787)
13	53015-1310	28.00 (1.102)	24.00 (.944)	22.00 (.866)
14	53015-1410	30.00 (1.181)	26.00 (1.023)	24.00 (.944)
15	53015-1510	32.00 (1.260)	28.00 (1.102)	26.00 (1.023)