

**ebm-papst St. Georgen GmbH & Co. KG**

Hermann-Papst-Str. 1  
 D-78112 St. Georgen  
 Phone +49 (0) 7724 81-0  
 Fax +49 (0) 7724 81-1309  
 info2@de.ebmpapst.com  
 www.ebmpapst.com

**Nominal data**

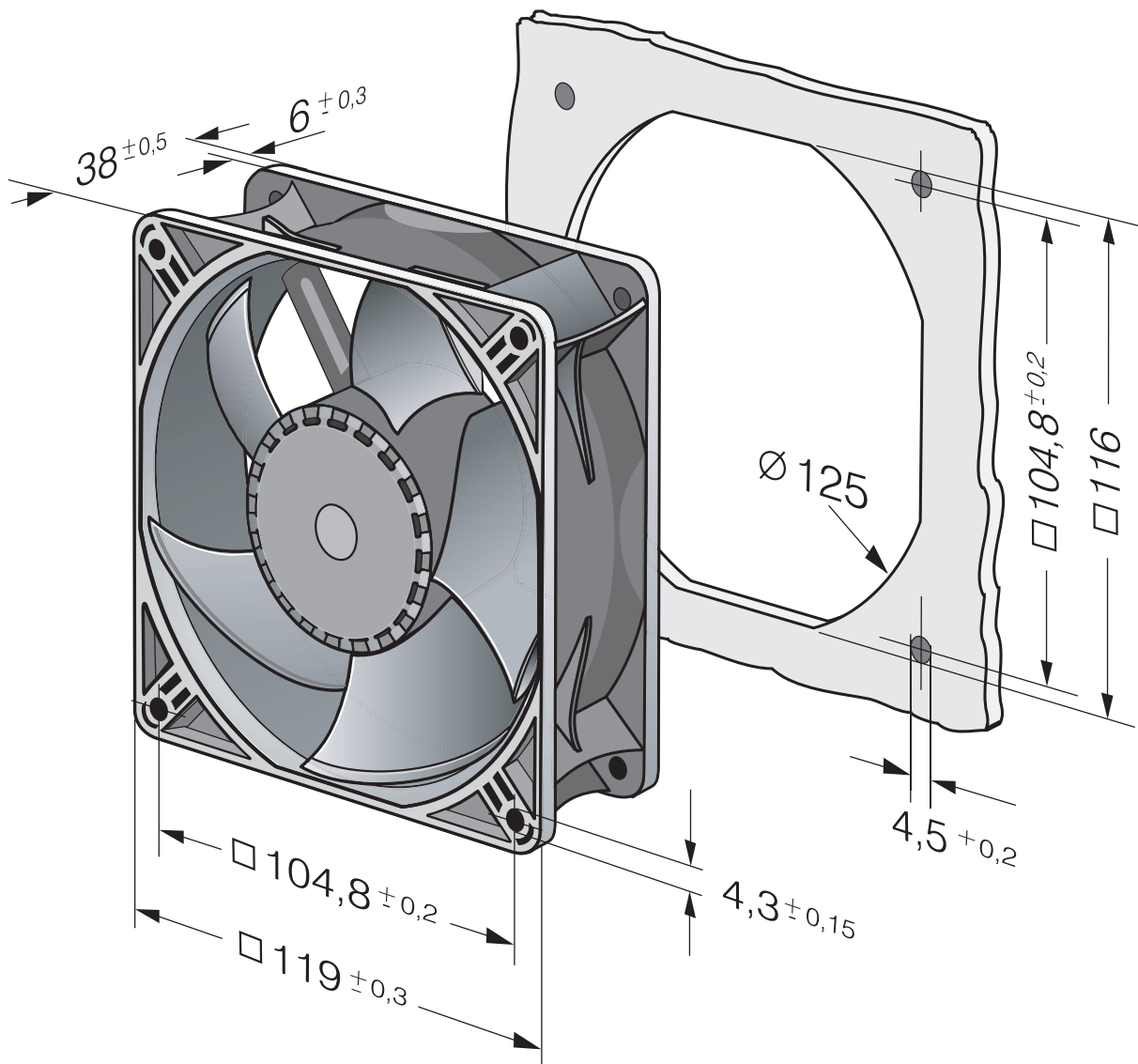
Type	ACI 4420 HH	
Phase		1~
Nominal voltage	VAC	230
Nominal voltage range	VAC	195 .. 265
Type of data definition		fa
Speed	min <sup>-1</sup>	3350
Power input	W	4.4
Min. ambient temperature	°C	-20
Max. ambient temperature	°C	+75
Air flow	m <sup>3</sup> /h	180
Sound power level	B	5.3
Sound pressure level	dB(A)	42

ml = max. load · me = max. efficiency · fa = running at free air · cs = customer specs · cu = customer unit  
 Subject to alterations

**Technical features**

<b>Mass</b>	0.250 kg
<b>Dimensions</b>	119 x 119 x 38 mm
<b>Material of impeller</b>	Fibreglass-reinforced PA plastic
<b>Housing material</b>	Fibreglass-reinforced PBT plastic
<b>Direction of air flow</b>	Air exhaust over bars
<b>Direction of rotation</b>	Clockwise, looking at rotor
<b>Bearing</b>	Ball bearings
<b>Lifetime L10 at 40 °C</b>	62500 h
<b>Lifetime L10 at maximum temperature</b>	30000 h

## Product drawing



Charts

