

ACT3225G SMX-4

The ACT3225G SMX-4 is a low cost, 4 pad, high quality 3X2.5mm SMD Crystal in a ceramic base / ceramic lid, glass sealed package. The wide frequency range and specification options provide for a low cost, ultra small micro clock crystal.



RoHS Compatible

Specification

Parameter	Symbol	Specification	Condition
Frequency Range	fo	11.000MHz ~ 54.000MHz	Fundamental, AT Cut
Frequency Tolerance (@25°C)	$\Delta f/f_0$	$\pm 30, \pm 50$ and ± 100 ppm	Please specify
Stability over temp range	Tc	Refer to table 2	Please specify
Temp Operating Range	Topr	, -20 ~70°C or -30 ~ 85°C	Please specify
Temp Storage Range	Tstg	-55 ~ 125°C	
Equivalent Series Resistance	ESR	See table 1	
Load Capacitance	CL	6 ~ 20pF	Please specify
Shunt Capacitance	C0	3.0 pF max	
Drive Level	DL	100 μ W (200 μ W max)	
Insulation Resistance	IR	500M Ω min	@100V DC
Aging	Fa	± 5.0 ppm /year max	@25°C

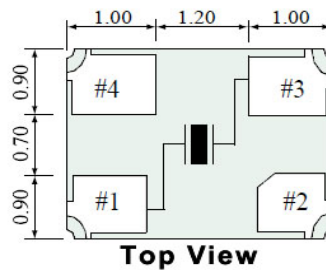
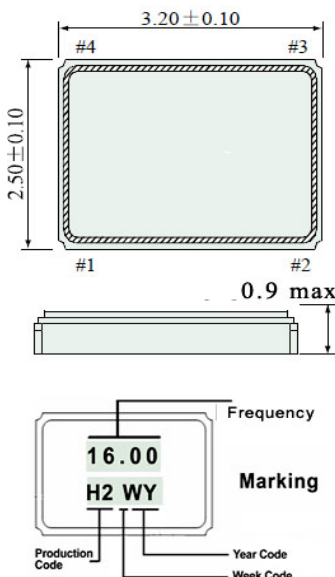
Table 1

Stability v Temperature (ppm)			
	± 30	± 50	± 100
-20~+70°C	✓	✓	✓
-30~+85°C	✓	✓	✓

Table 2

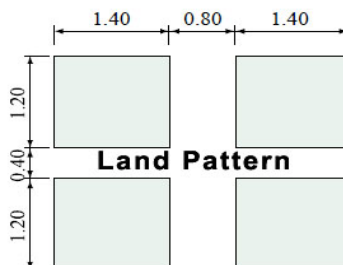
Frequency (MHz)	ESR Max
11 ~ 19.999 Fund	100 Ω
20 ~ 25.999 Fund	70 Ω
26 ~ 54 Fund	50 Ω

Dimensions (mm)



Pad Surface Material Gold (Au)

Compatible with Eu Directive 2002/95/EC - RoHS
 Contains Pb in sealing glass
 exempted from Article 4(1) of the directive



Please note that all parameters can not necessarily be specified in the same device

Customer to specify : Frequency, Frequency Tolerance, Temperature Stability, Operating Temperature & Load Capacitance

In line with our ongoing policy of product evolution and improvement, the above specification may subject to change without notice

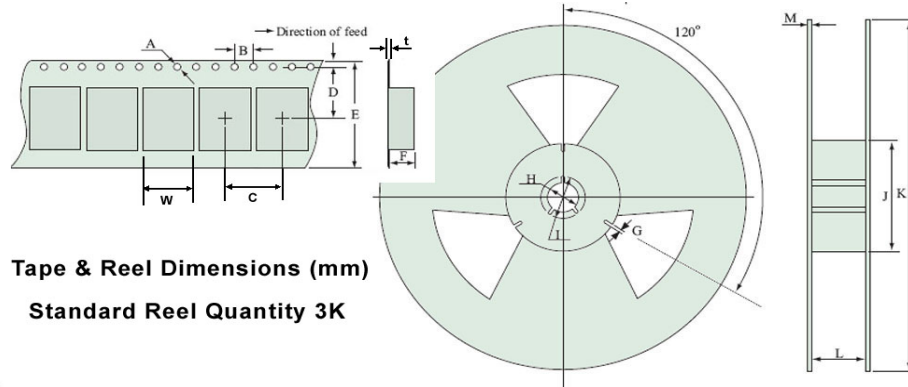
ISO9001:2000 Registered

For quotations or further information please contact us at:

3 The Business Centre, Molly Millars Lane, Wokingham, Berkshire, RG41 2EY, UK

<http://www.actcrystals.com>

ACT3225G SMX-4 continued

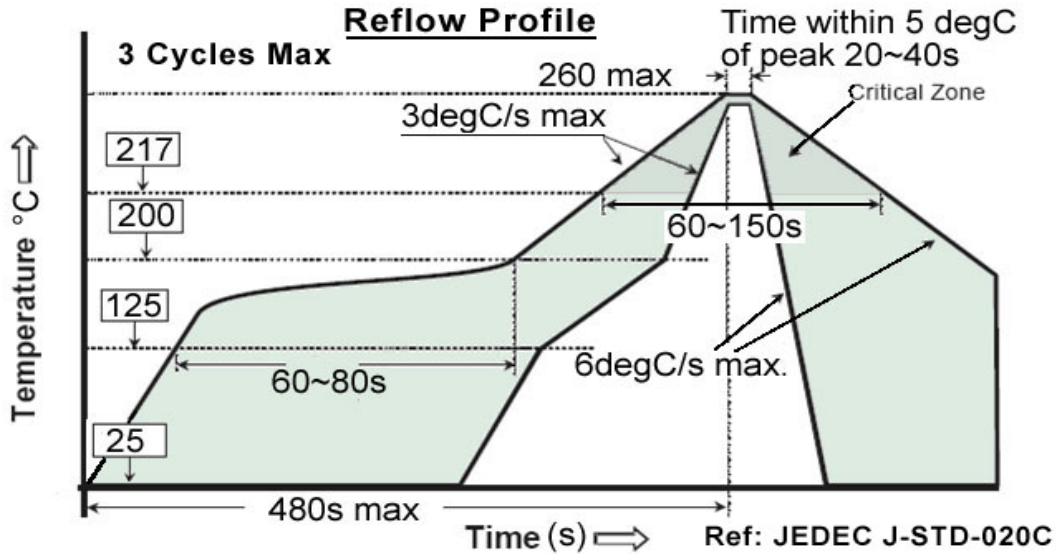


Tape & Reel Dimensions (mm)
Standard Reel Quantity 3K

A	B	C	D	E	F	L1	W	t
1.50	4.0	4.0	3.5	8.0	1.0	3.6	2.9	0.3

G	H	I	J	K	L	M
2.5	13.5	21.6	60.0	178	9.5	1.6

Maximum Re-flow Profile



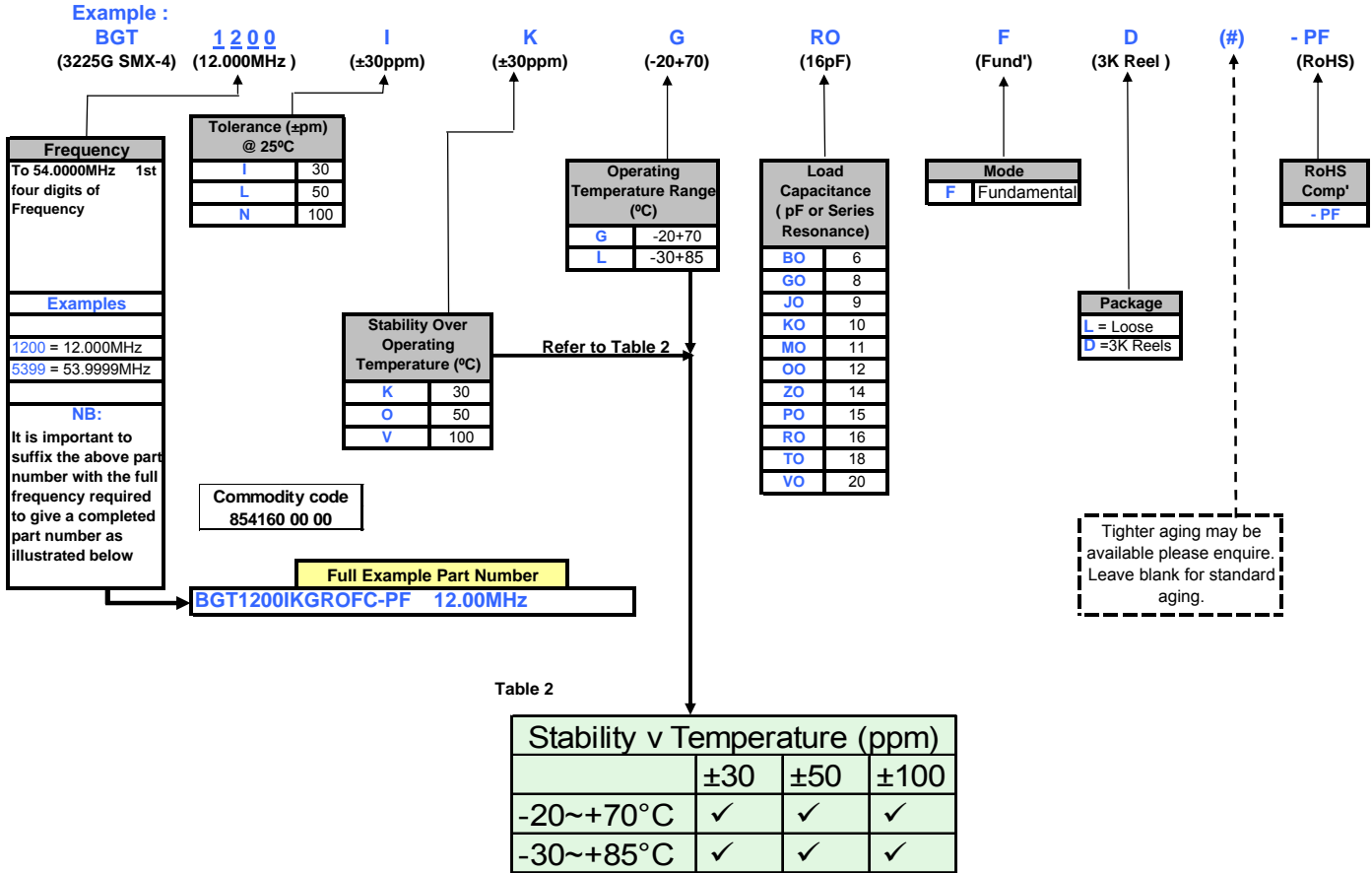
In line with our ongoing policy of product evolution and improvement, the above specification may subject to change without notice

ISO9001:2000 Registered

For quotations or further information please contact us at:
3 The Business Centre, Molly Millars Lane, Wokingham, Berkshire, RG41 2EY, UK

<http://www.actcrystals.com>

SERIES : ACT3225G SMX-4 Part numbering code is BGT



NOTES :

- 1) Tighter Tolerances and Stabilities and other Operating Temperature Ranges may be available. As each of these specification parameters impact on each other, it is not always possible to combine all options in one device. Therefore, if a specification not catered for above is required, please contact us directly for the relevant part number code(s).
- 2) ACT are always happy to consider truly custom specification parts which may require non-standard specification parameters, specific testing, customer requested AQL requirements, non standard packaging or taping and reeling and custom marking. Such devices would normally be allocated a custom specification part number which is wholly customer specific.
 EG : A 12.00MHz custom ACT325MX-4 device may have a part number such as BT1200C- C1122-PF)
- 3) A guide to availability of stabilities appears in Table 2