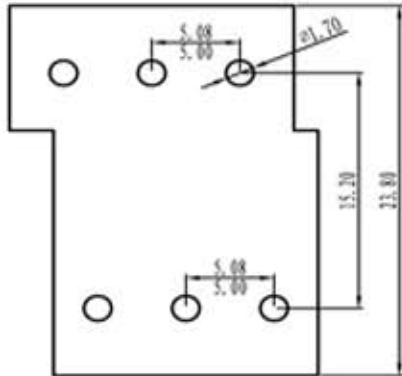
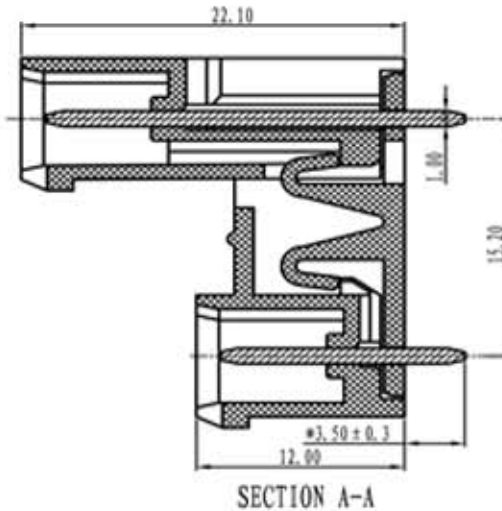
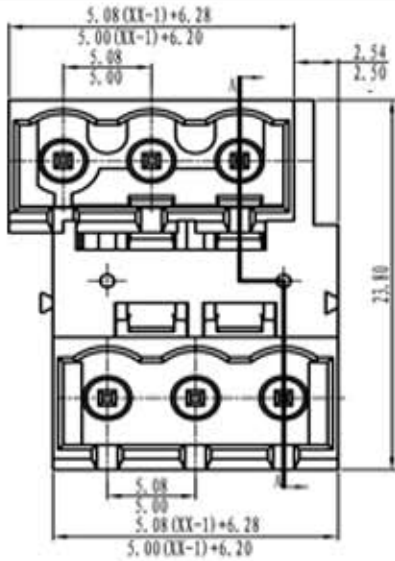


euro-block

product specification



TOLERANCES EXCEPT AS NOTED

Electrical

Standard:	UL	IEC
Rated voltage:	300V	320V
Rated current:	15A	20A
Contact resistance:	20mΩ	
Withstanding voltage:	AC2000V/1Min	
Insulation resistance:	500MΩ/DC500V	

Mechanical

Temp.Range:	-40° C ~ +105° C
MAX Soldering:	+250° C, for 5 Sec

Dimensions

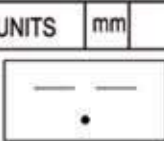
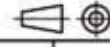
Pitch:	5.08mm/5.00mm
Poles:	2P-XXP

Material

Pin header:	Brass, Tin plated
Housing:	PA66, UL94V-0

Come Ordinare:	Serie	N.Poli	Passo	Versione	Colore	Custom
	CMD	2-24	5/5,08	CV		

variable range	linear dimension				fillet	chamfer	short angle sid			≡	-	□	//	⊥		
	to 6	over 6 to 30	over 30 to 120	over 120 to 480	all	over 6 to 6	to 10	over 10 to 50	over 50 to 120						to 5	over 5 to 30
tolerance	±0.1	±0.2	±0.3	±0.5	±0.2	±0.5	±1	1°	30'	20'	10'	0.5	0.025	0.06	0.12	0.4

UNITS	mm	SIZE	A4	SCALE	FIRST ANGLE PROJECTION	
 euro-block						
					NAME	CMD-5/5,08-CV