



LM158,A-LM258,A LM358,A

LOW POWER DUAL OPERATIONAL AMPLIFIERS

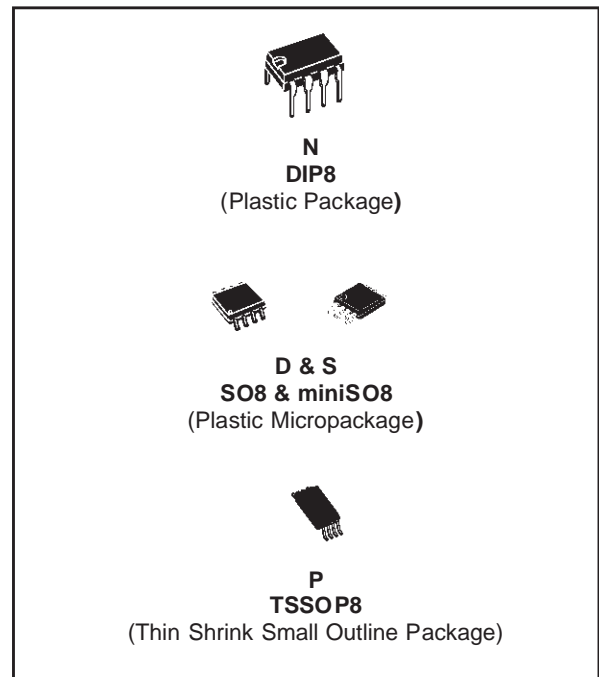
- INTERNALLY FREQUENCY COMPENSATED
- LARGE DC VOLTAGE GAIN: 100dB
- WIDE BANDWIDTH (unity gain): 1.1MHz (temperature compensated)
- VERY LOW SUPPLY CURRENT/OP (500µA) ESSENTIALLY INDEPENDENT OF SUPPLY VOLTAGE
- LOW INPUT BIAS CURRENT: 20nA (temperature compensated)
- LOW INPUT OFFSET VOLTAGE: 2mV
- LOW INPUT OFFSET CURRENT: 2nA
- INPUT COMMON-MODE VOLTAGE RANGE INCLUDES GROUND
- DIFFERENTIAL INPUT VOLTAGE RANGE EQUAL TO THE POWER SUPPLY VOLTAGE
- LARGE OUTPUT VOLTAGE SWING 0V TO (V_{cc} - 1.5V)

DESCRIPTION

These circuits consist of two independent, high gain, internally frequency compensated which were designed specifically to operate from a single power supply over a wide range of voltages. The low power supply drain is independent of the magnitude of the power supply voltage.

Application areas include transducer amplifiers, dc gain blocks and all the conventional op-amp circuits which now can be more easily implemented in single power supply systems. For example, these circuits can be directly supplied with the standard +5V which is used in logic systems and will easily provide the required interface electronics without requiring any additional power supply.

In the linear mode the input common-mode voltage range includes ground and the output voltage can also swing to ground, even though operated from only a single power supply voltage.



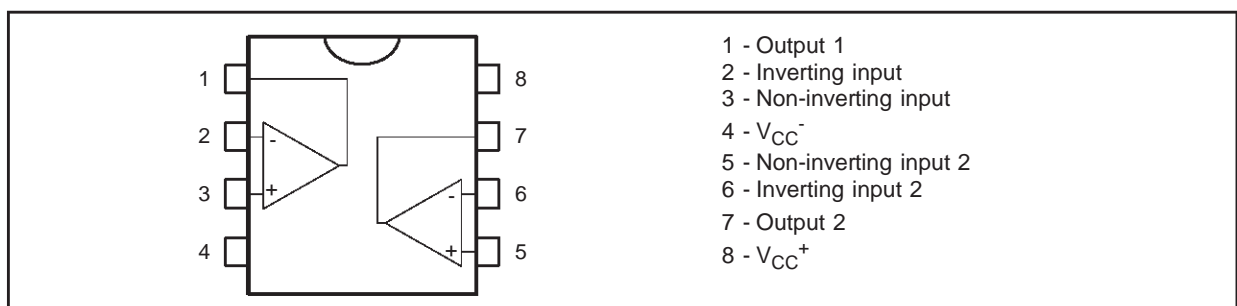
ORDER CODE

Part Number	Temperature Range	Package			
		N	S	D	P
LM158,A	-55°C, +125°C	•		•	•
LM258,A	-40°C, +105°C	•		•	•
LM358,A	0°C, +70°C	•	•	•	•

Example : LM258N

N = Dual in Line Package (DIP)
D = Small Outline Package (SO) - also available in Tape & Reel (DT)
S = Small Outline Package (miniSO) only available in Tape & Reel (DT)
P = Thin Shrink Small Outline Package (TSSOP) - only available in Tape & Reel (PT)

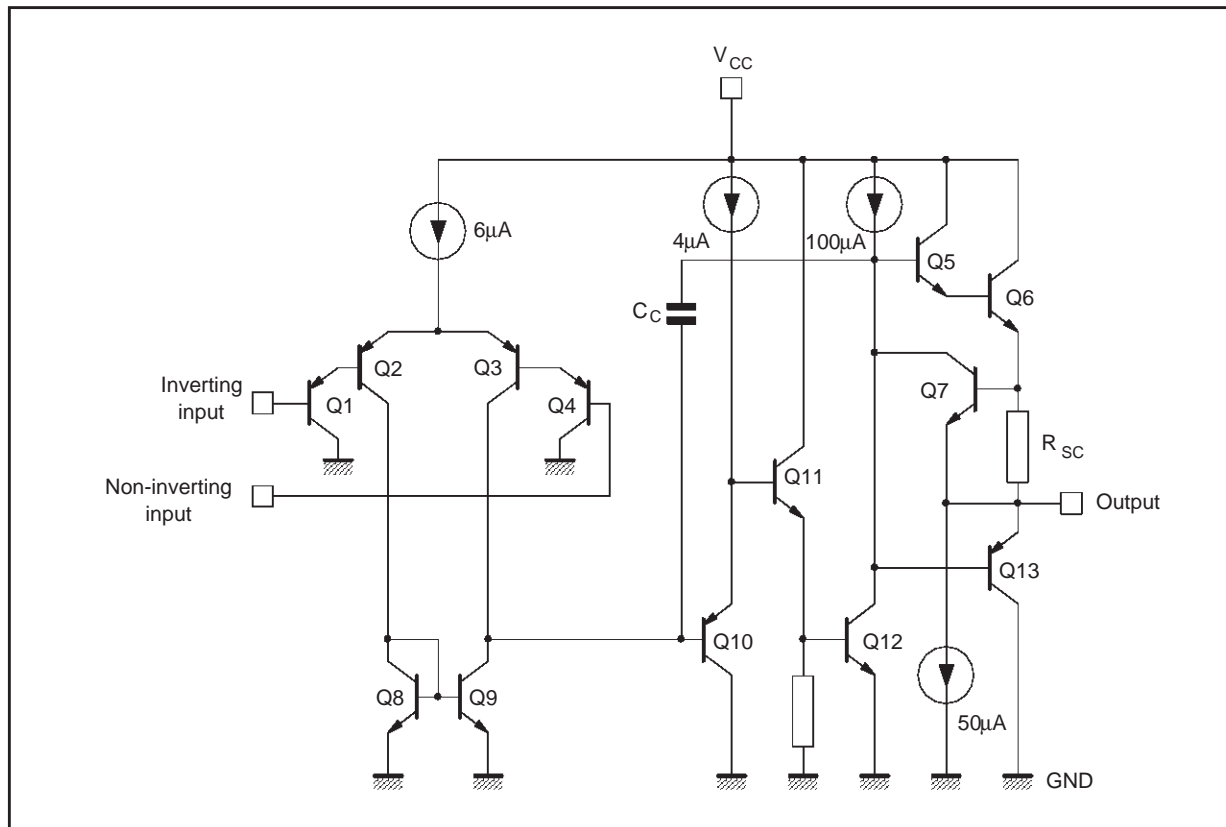
PIN CONNECTIONS (top view)



- 1 - Output 1
- 2 - Inverting input
- 3 - Non-inverting input
- 4 - V_{CC}⁻
- 5 - Non-inverting input 2
- 6 - Inverting input 2
- 7 - Output 2
- 8 - V_{CC}⁺

LM158,A-LM258,A-LM358,A

SCHEMATIC DIAGRAM (1/2 LM158)



ABSOLUTE MAXIMUM RATINGS

Symbol	Parameter	LM158,A	LM258,A	LM358,A	Unit
V_{CC}	Supply voltage		+32		V
V_i	Input Voltage		-0.3 to +32		V
V_{id}	Differential Input Voltage		+32		V
P_{tot}	Power Dissipation ¹⁾		500		mW
	Output Short-circuit Duration ²⁾		Infinite		
I_{in}	Input Current ³⁾		50		mA
T_{oper}	Operating Free-air Temperature Range	-55 to +125	-40 to +105	0 to +70	°C
T_{stg}	Storage Temperature Range		-65 to +150		°C

- Power dissipation must be considered to ensure maximum junction temperature (T_j) is not exceeded.
- Short-circuits from the output to V_{CC} can cause excessive heating if $V_{CC} > 15V$. The maximum output current is approximately 40mA independent of the magnitude of V_{CC} . Destructive dissipation can result from simultaneous short-circuit on all amplifiers.
- This input current only exists when the voltage at any of the input leads is driven negative. It is due to the collector-base junction of the input PNP transistor becoming forward biased and thereby acting as input diode clamps. In addition to this diode action, there is also NPN parasitic action on the IC chip. This transistor action can cause the output voltages of the Op-amps to go to the V_{CC} voltage level (or to ground for a large overdrive) for the time duration than an input is driven negative. This is not destructive and normal output will set up again for input voltage higher than -0.3V.

ELECTRICAL CHARACTERISTICS

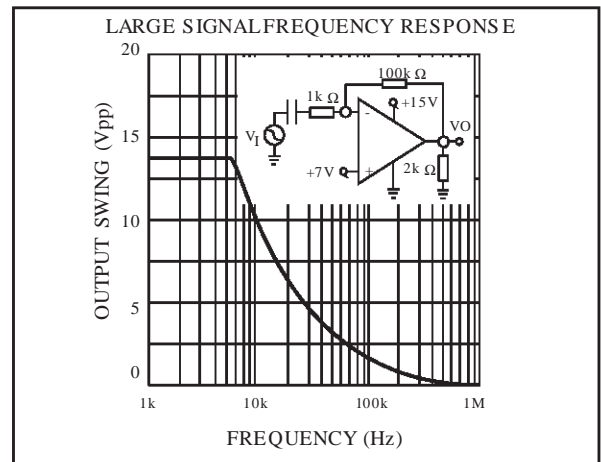
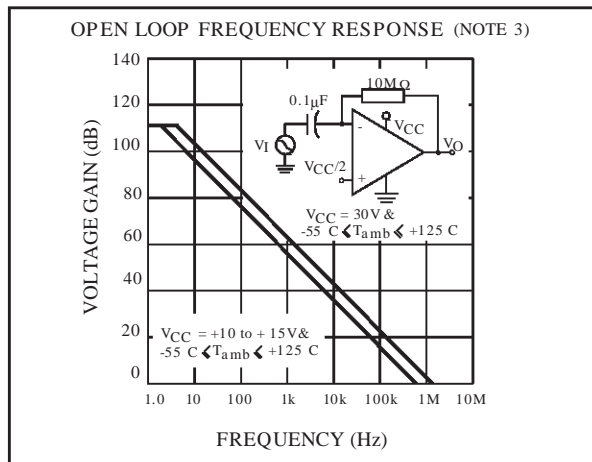
$V_{CC}^+ = +5V$, $V_{CC}^- = \text{Ground}$, $V_o = 1.4V$, $T_{amb} = +25^\circ C$ (unless otherwise specified)

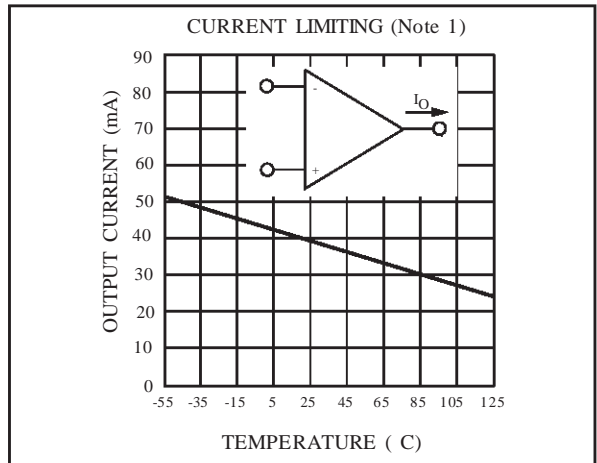
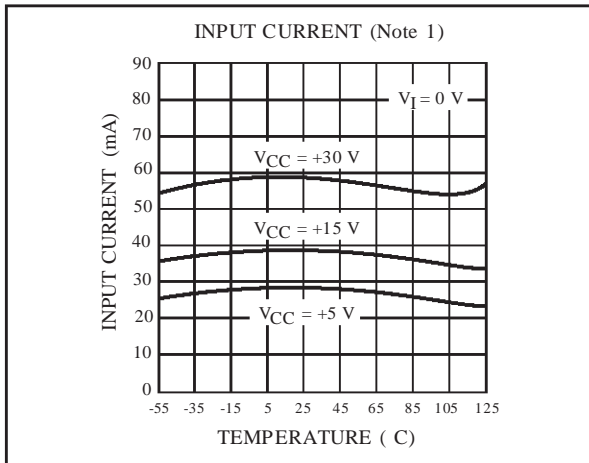
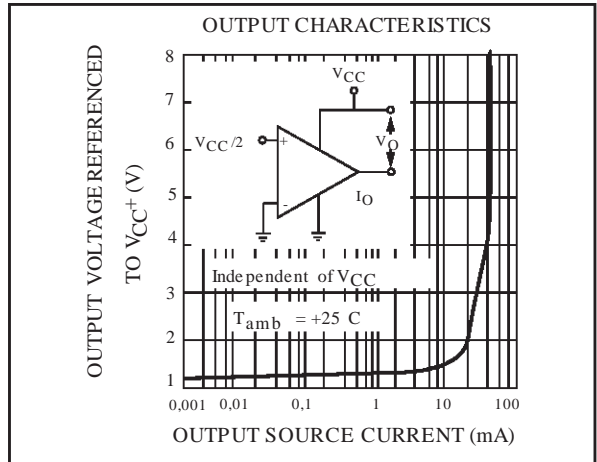
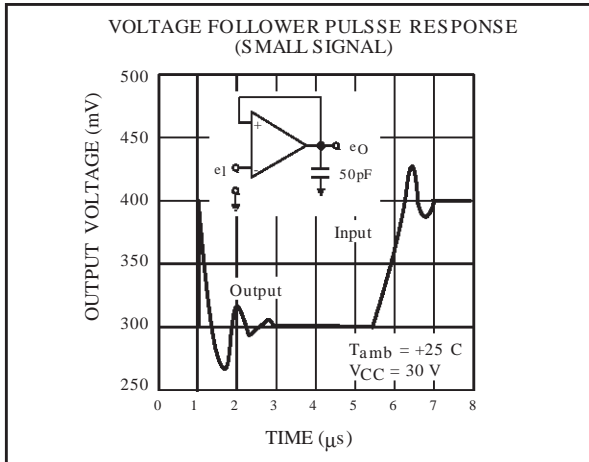
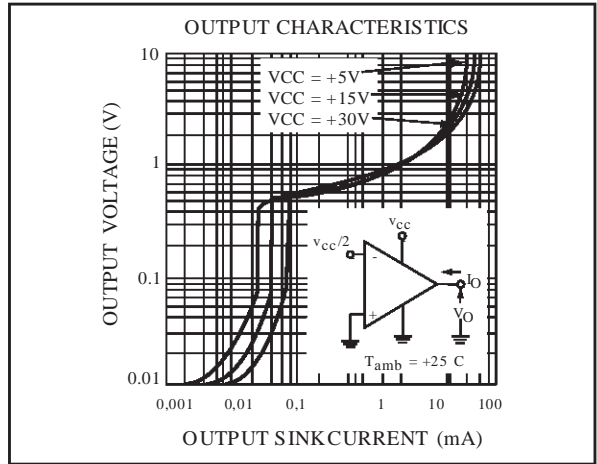
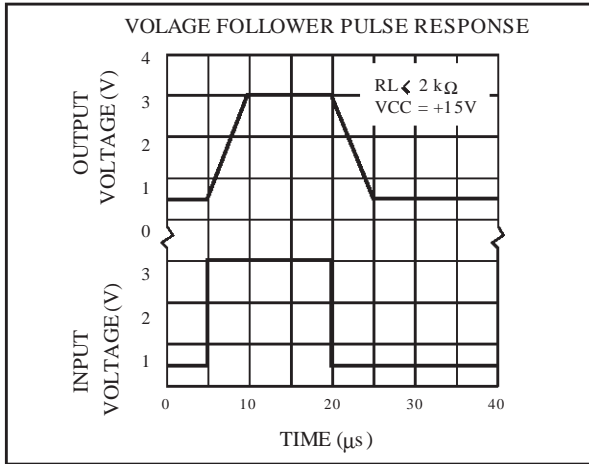
Symbol	Parameter	LM158A-LM258A LM358A			LM158-LM258 LM358			Unit
		Min.	Typ.	Max.	Min.	Typ.	Max.	
V_{io}	Input Offset Voltage - note ¹⁾ $T_{amb} = +25^\circ C$ LM158, LM258 LM158A $T_{min} \leq T_{amb} \leq T_{max}$ LM158, LM258		1	3 2		2	7 5 9 7	mV
I_{io}	Input Offset Current $T_{amb} = +25^\circ C$ $T_{min} \leq T_{amb} \leq T_{max}$		2	10 30		2	30 40	nA
I_{ib}	Input Bias Current - note ²⁾ $T_{amb} = +25^\circ C$ $T_{min} \leq T_{amb} \leq T_{max}$		20	50 100		20	150 200	nA
A_{vd}	Large Signal Voltage Gain $V_{CC} = +15V$, $R_L = 2k\Omega$, $V_o = 1.4V$ to $11.4V$ $T_{amb} = +25^\circ C$ $T_{min} \leq T_{amb} \leq T_{max}$	50 25	100		50 25	100		V/mV
SVR	Supply Voltage Rejection Ratio ($R_s \leq 10k\Omega$) $V_{CC}^+ = 5V$ to $30V$ $T_{amb} = +25^\circ C$ $T_{min} \leq T_{amb} \leq T_{max}$	65 65	100		65 65	100		dB
I_{CC}	Supply Current, all Amp, no load $T_{min} \leq T_{amb} \leq T_{max}$ $V_{CC} = +5V$ $T_{min} \leq T_{amb} \leq T_{max}$ $V_{CC} = +30V$		0.7	1.2 1		0.7	1.2 2	mA
V_{icm}	Input Common Mode Voltage Range $V_{CC} = +30V$ - note ³⁾ $T_{amb} = +25^\circ C$ $T_{min} \leq T_{amb} \leq T_{max}$	0 0		$V_{CC}^+ - 1.5$ $V_{CC}^+ - 2$	0 0		$V_{CC}^+ - 1.5$ $V_{CC}^+ - 2$	V
CMR	Common Mode Rejection Ratio ($R_s \leq 10k\Omega$) $T_{amb} = +25^\circ C$ $T_{min} \leq T_{amb} \leq T_{max}$	70 60	85		70 60	85		dB
I_{source}	Output Current Source $V_{CC} = +15V$, $V_o = +2V$, $V_{id} = +1V$	20	40	60	20	40	60	mA
I_{sink}	Output Sink Current ($V_{id} = -1V$) $V_{CC} = +15V$, $V_o = +2V$ $V_{CC} = +15V$, $V_o = +0.2V$	10 12	20 50		10 12	20 50		mA μA
V_{OPP}	Output Voltage Swing ($R_L = 2k\Omega$) $T_{amb} = +25^\circ C$ $T_{min} \leq T_{amb} \leq T_{max}$	0 0		$V_{CC}^+ - 1.5$ $V_{CC}^+ - 2$	0 0		$V_{CC}^+ - 1.5$ $V_{CC}^+ - 2$	

LM158,A-LM258,A-LM358,A

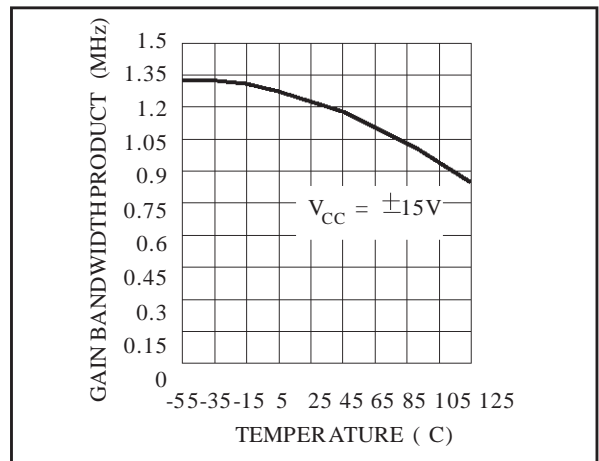
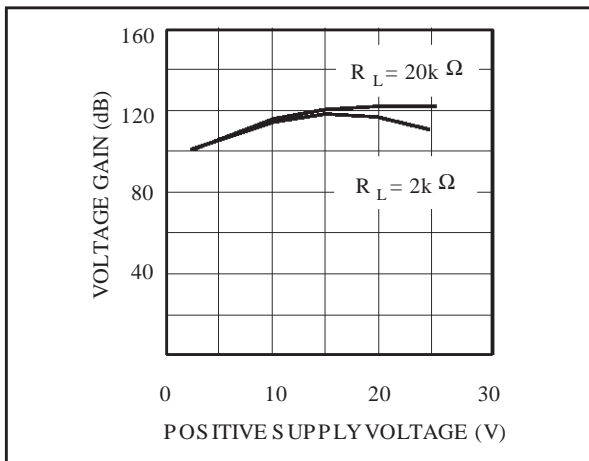
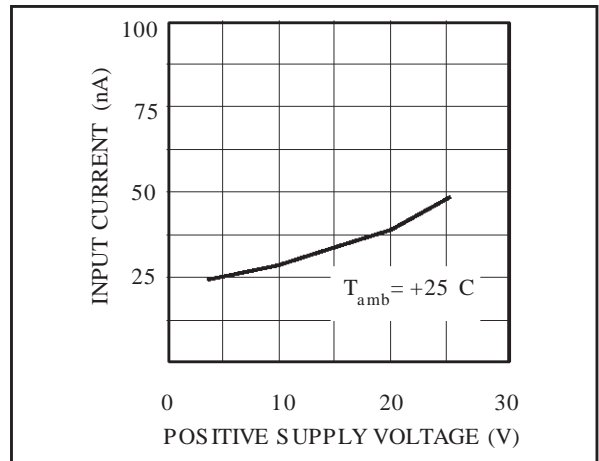
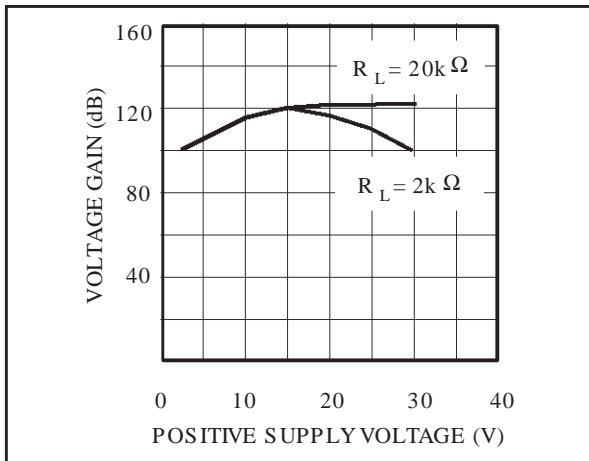
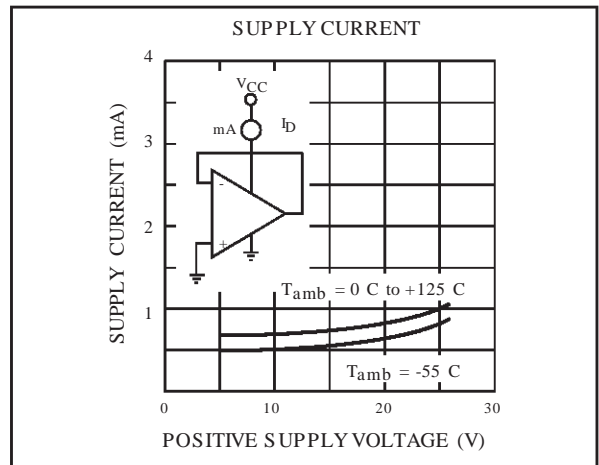
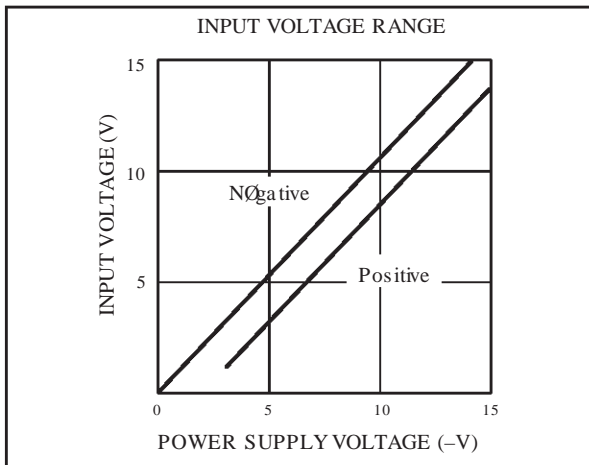
Symbol	Parameter	LM158A-LM258A LM358A			LM158-LM258 LM358			Unit
		Min.	Typ.	Max.	Min.	Typ.	Max.	
V_{OH}	High Level Output Voltage ($V_{CC}^+ = 30V$) $T_{amb} = +25^\circ C$ $R_L = 2k\Omega$ $T_{min} \leq T_{amb} \leq T_{max}$ $T_{amb} = +25^\circ C$ $R_L = 10k\Omega$ $T_{min} \leq T_{amb} \leq T_{max}$	26 26 27 27	27 28		26 26 27 27	27 28		V
V_{OL}	Low Level Output Voltage ($R_L = 10k\Omega$) $T_{amb} = +25^\circ C$ $T_{min} \leq T_{amb} \leq T_{max}$		5	20 20		5 20 20		mV
SR	Slew Rate $V_{CC} = 15V, V_i = 0.5$ to $3V, R_L = 2k\Omega,$ $C_L = 100pF,$ unity Gain	0.3	0.6		0.3	0.6		V/ μs
GBP	Gain Bandwidth Product $V_{CC} = 30V, f = 100kHz, V_{in} = 10mV, R_L = 2k\Omega,$ $C_L = 100pF$	0.7	1.1		0.7	1.1		MHz
THD	Total Harmonic Distortion $f = 1kHz, A_v = 20dB, R_L = 2k\Omega, V_o = 2V_{pp},$ $C_L = 100pF, V_o = 2V_{pp}$		0.02			0.02		%
e_n	Equivalent Input Noise Voltage $f = 1kHz, R_s = 100\Omega, V_{CC} = 30V$		55			55		$\frac{nV}{\sqrt{Hz}}$
DV_{io}	Input Offset Voltage Drift		7	15		7	30	$\mu V/^\circ C$
DI_{iio}	Input Offset Current Drift		10	200		10	300	$pA/^\circ C$
V_{o1}/V_{o2}	Channel Separation - note 4) $1kHz \leq f \leq 20kHz$		120			120		dB

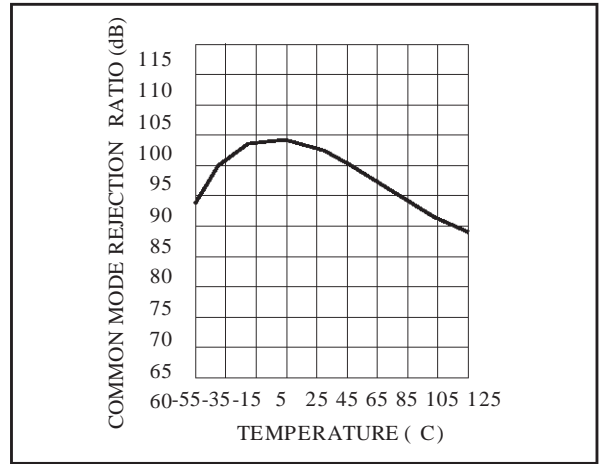
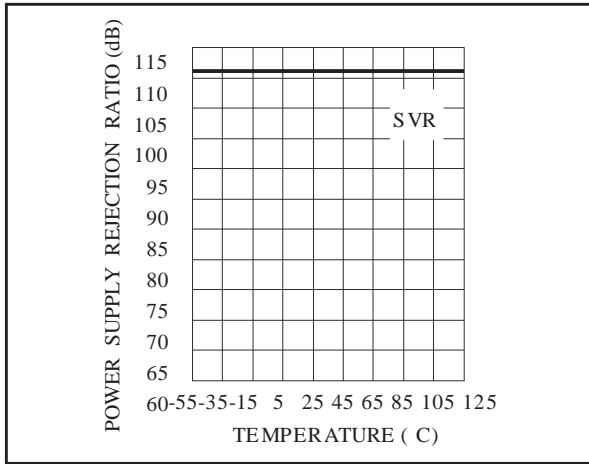
- $V_o = 1.4V, R_s = 0\Omega, 5V < V_{CC}^+ < 30V, 0 < V_{ic} < V_{CC}^+ - 1.5V$
- The direction of the input current is out of the IC. This current is essentially constant, independent of the state of the output so no loading change exists on the input lines.
- The input common-mode voltage of either input signal voltage should not be allowed to go negative by more than 0.3V. The upper end of the common-mode voltage range is $V_{CC}^+ - 1.5V$, but either or both inputs can go to +32V without damage.
- Due to the proximity of external components insure that coupling is not originating via stray capacitance between these external parts. This typically can be detected as this type of capacitance increases at higher frequencies.





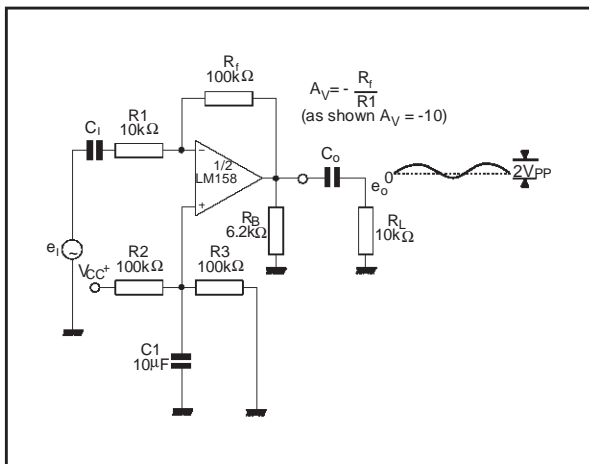
LM158,A-LM258,A-LM358,A



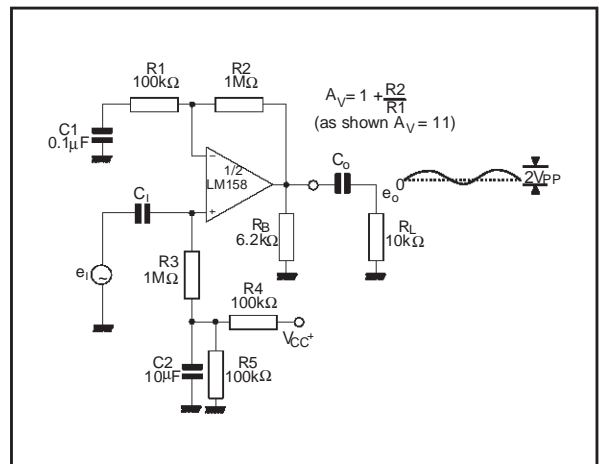


TYPICAL APPLICATIONS (single supply voltage) $V_{CC} = +5V_{dc}$

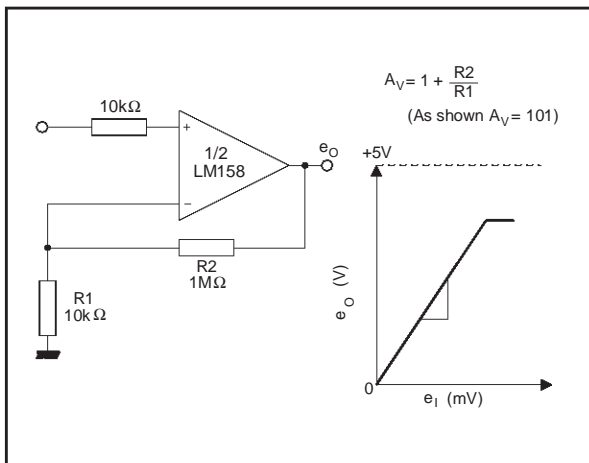
AC COUPLED INVERTING AMPLIFIER



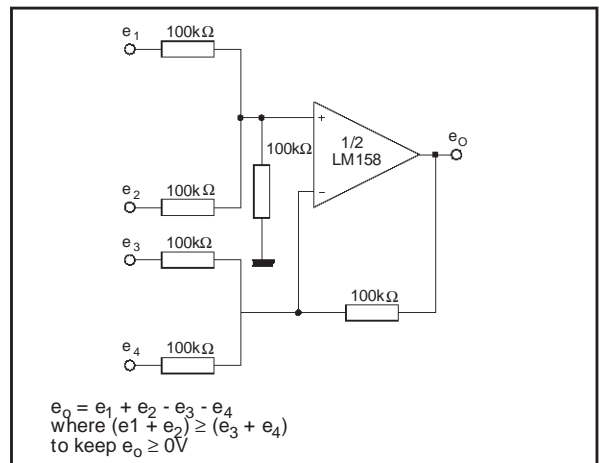
AC COUPLED NON-INVERTING AMPLIFIER



NON-INVERTING DC AMPLIFIER

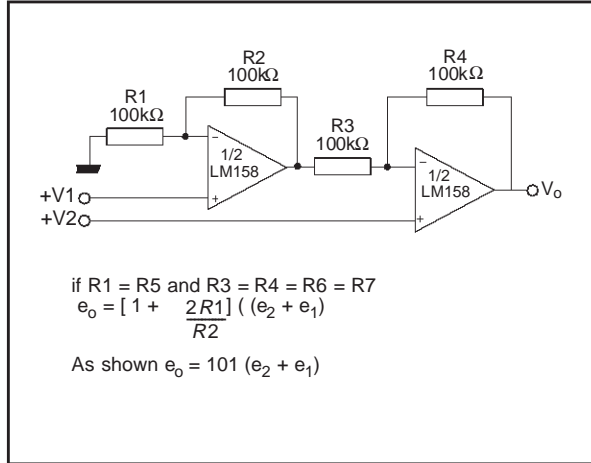


DC SUMMING AMPLIFIER

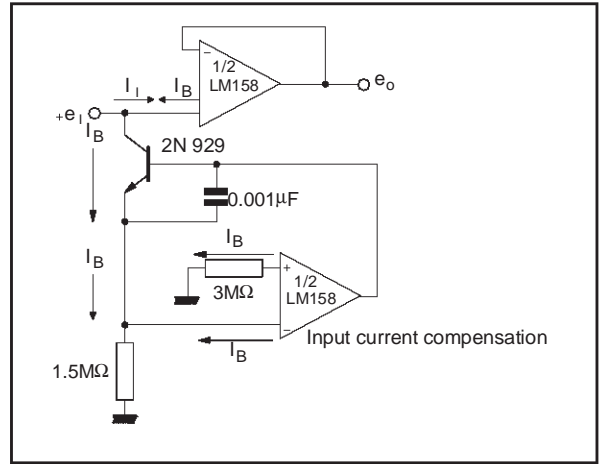


LM158,A-LM258,A-LM358,A

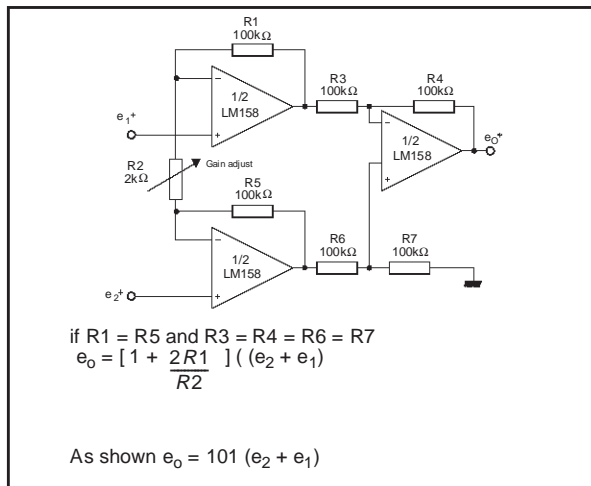
HIGH INPUT Z, DC DIFFERENTIAL AMPLIFIER



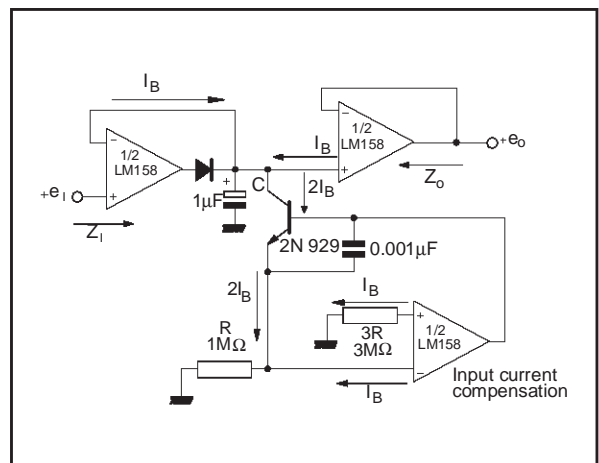
USING SYMMETRICAL AMPLIFIERS TO REDUCE INPUT CURRENT



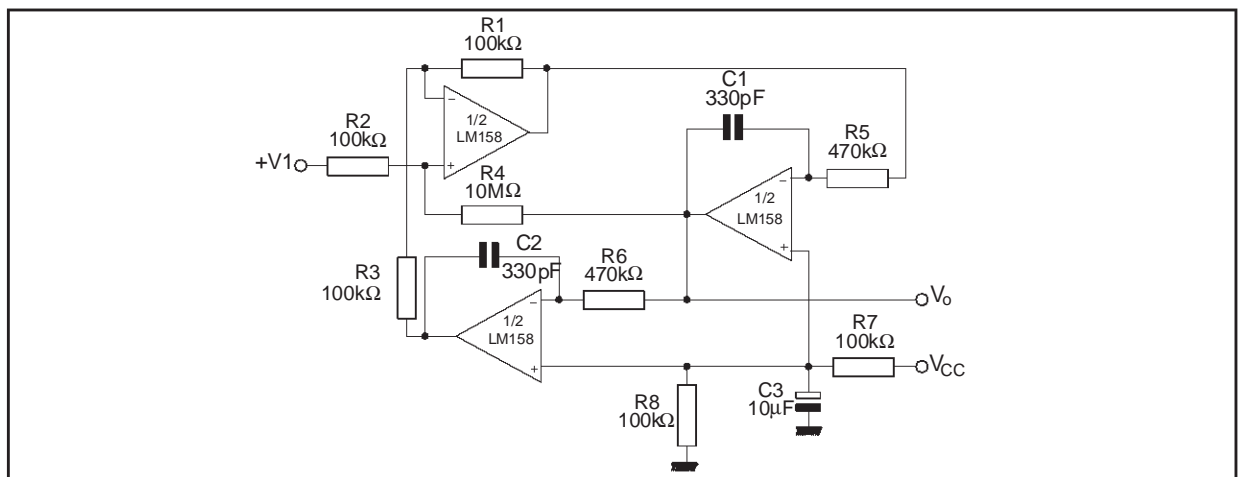
HIGH INPUT Z ADJUSTABLE GAIN DC INSTRUMENTATION AMPLIFIER



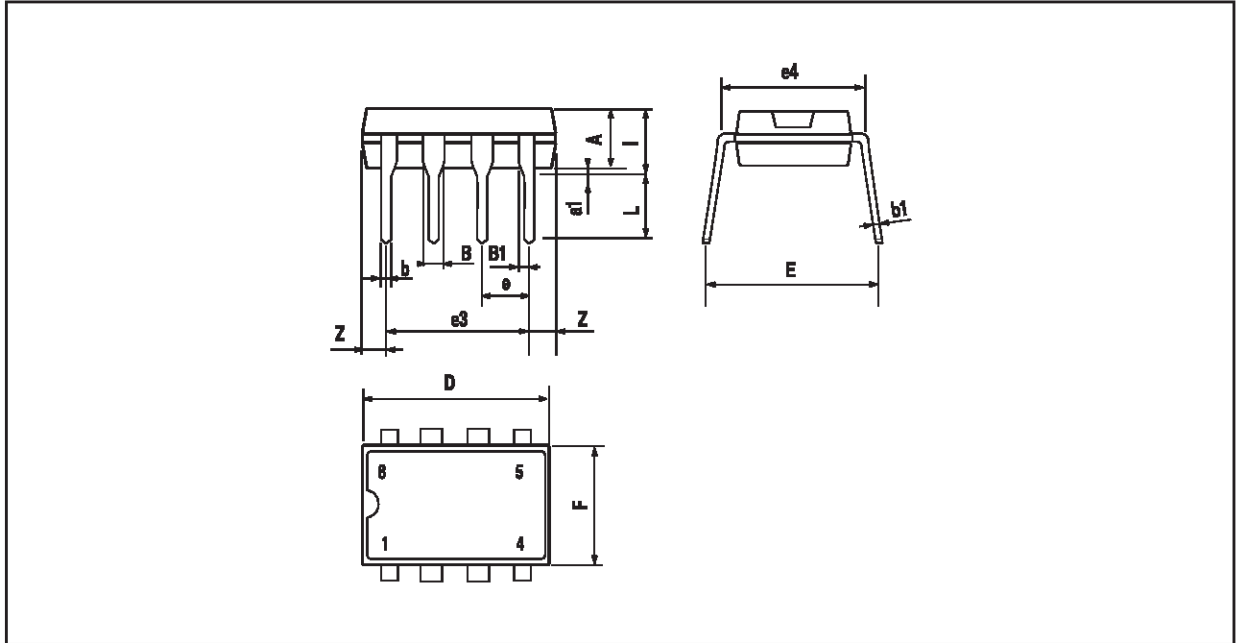
LOW DRIFT PEAK DETECTOR



ACTIVE BAND-PASS FILTER



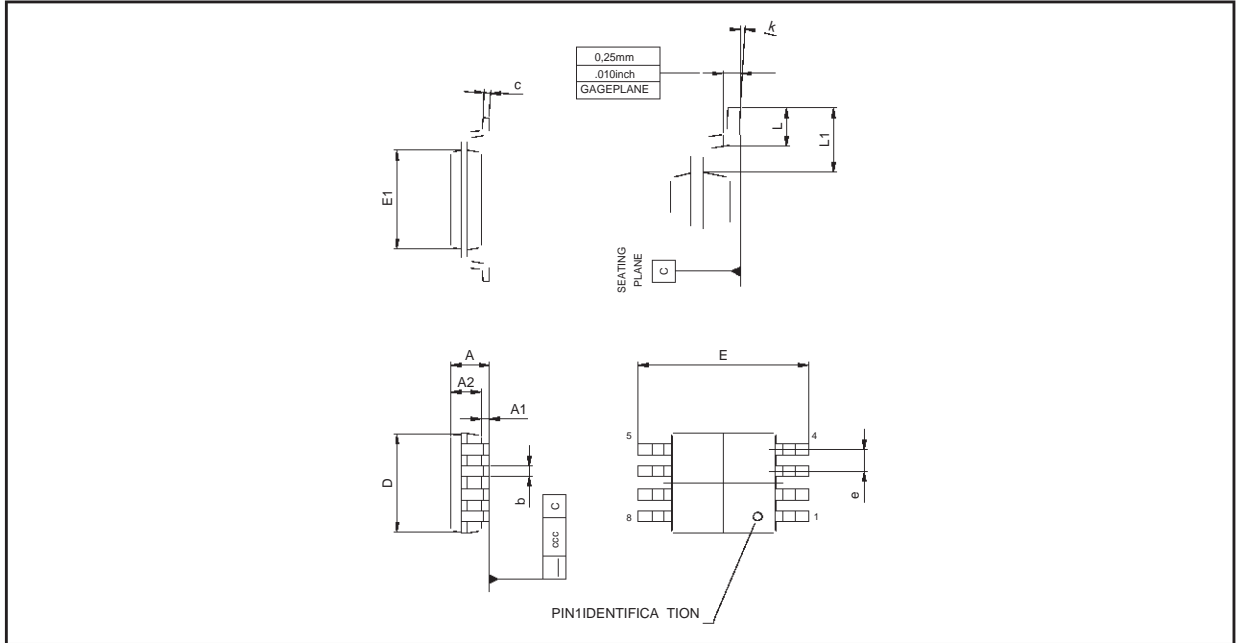
PACKAGE MECHANICAL DATA
8 PINS - PLASTIC DIP



Dim.	Millimeters			Inches		
	Min.	Typ.	Max.	Min.	Typ.	Max.
A		3.32			0.131	
a1	0.51			0.020		
B	1.15		1.65	0.045		0.065
b	0.356		0.55	0.014		0.022
b1	0.204		0.304	0.008		0.012
D			10.92			0.430
E	7.95		9.75	0.313		0.384
e		2.54			0.100	
e3		7.62			0.300	
e4		7.62			0.300	
F			6.6			0.260
i			5.08			0.200
L	3.18		3.81	0.125		0.150
Z			1.52			0.060

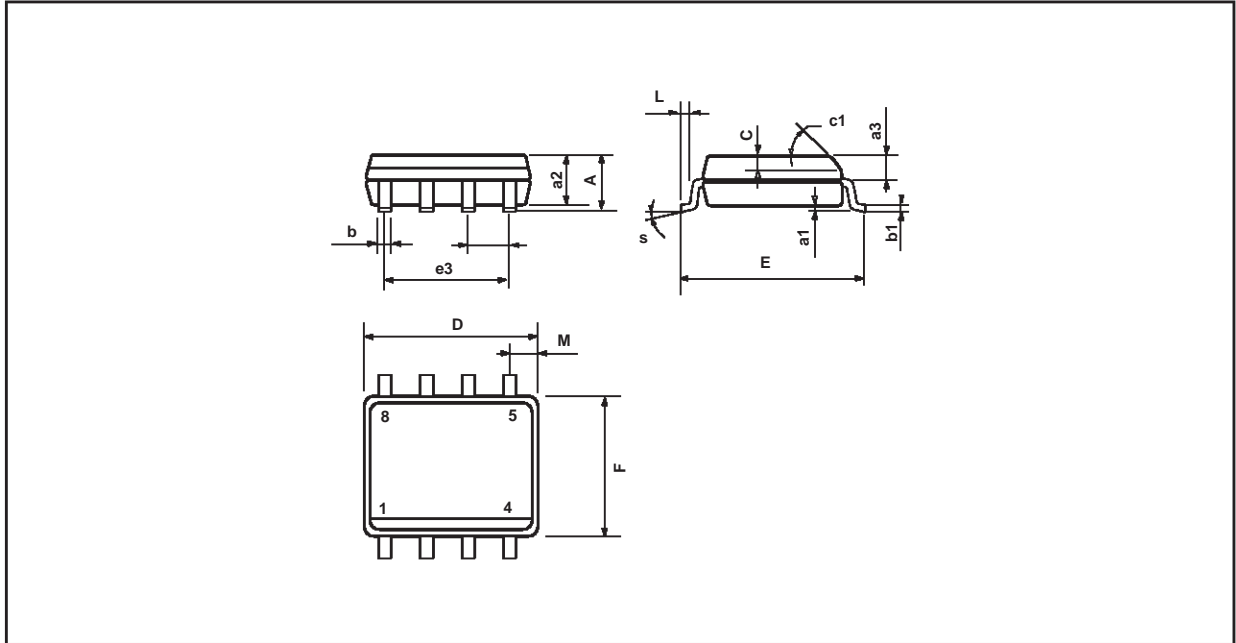
LM158,A-LM258,A-LM358,A

PACKAGE MECHANICAL DATA 8 PINS - PLASTIC MICROPACKAGE (miniSO)



Dim.	Millimeters			Inches		
	Min.	Typ.	Max.	Min.	Typ.	Max.
A			1.100			0.043
A1	0.050	0.100	0.150	0.002	0.004	0.006
A2	0.780	0.860	0.940	0.031	0.034	0.037
b	0.250	0.330	0.400	0.010	0.013	0.016
c	0.130	0.180	0.230	0.005	0.007	0.009
D	2.900	3.000	3.100	0.114	0.118	0.122
E	4.750	4.900	5.050	0.187	0.193	0.199
E1	2.900	3.000	3.100	0.114	0.118	0.122
e		0.650			0.026	
L	0.400	0.550	0.700	0.016	0.022	0.028
L1		0.950			0.037	
k	0d	3d	6d	0d	3d	6d
ccc			0.100			0.004

PACKAGE MECHANICAL DATA
8 PINS - PLASTIC MICROPACKAGE (SO)

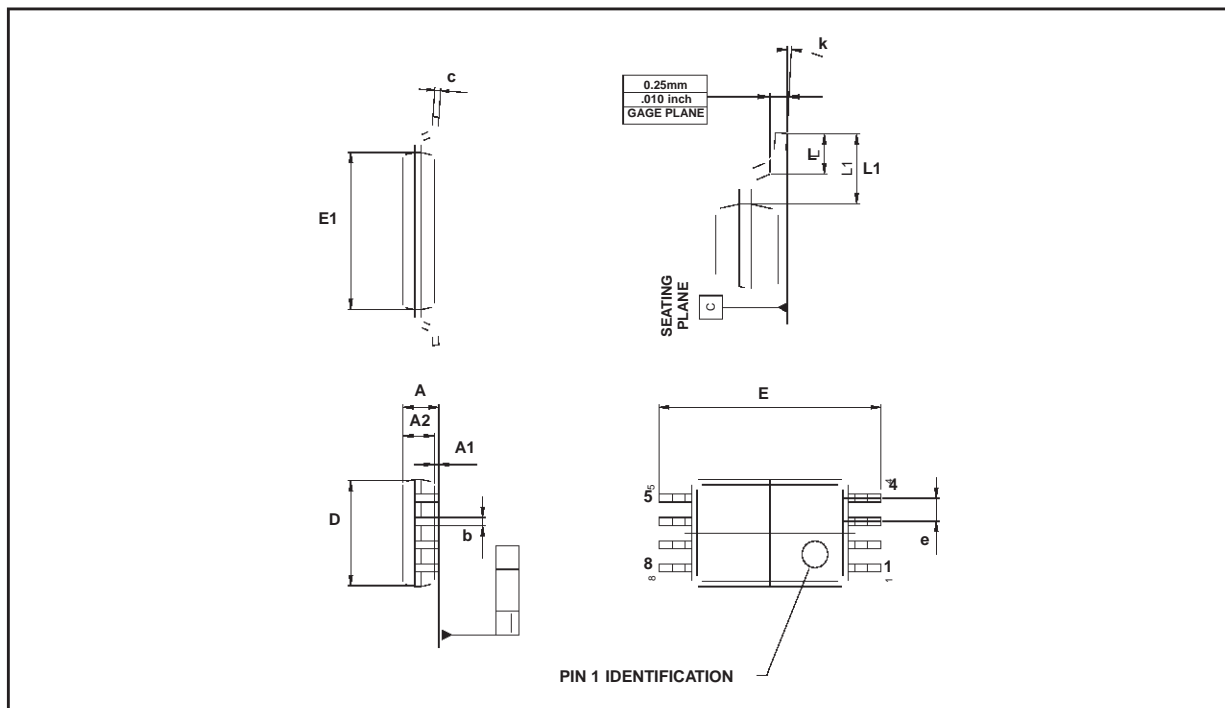


Dim.	Millimeters			Inches		
	Min.	Typ.	Max.	Min.	Typ.	Max.
A			1.75			0.069
a1	0.1		0.25	0.004		0.010
a2			1.65			0.065
a3	0.65		0.85	0.026		0.033
b	0.35		0.48	0.014		0.019
b1	0.19		0.25	0.007		0.010
C	0.25		0.5	0.010		0.020
c1	45° (typ.)					
D	4.8		5.0	0.189		0.197
E	5.8		6.2	0.228		0.244
e		1.27			0.050	
e3		3.81			0.150	
F	3.8		4.0	0.150		0.157
L	0.4		1.27	0.016		0.050
M			0.6			0.024
S	8° (max.)					

LM158,A-LM258,A-LM358,A

PACKAGE MECHANICAL DATA

8 PINS - THIN SHRINK SMALL OUTLINE PACKAGE (TSSOP)



Dim.	Millimeters			Inches		
	Min.	Typ.	Max.	Min.	Typ.	Max.
A			1.20			0.05
A1	0.05		0.15	0.01		0.006
A2	0.80	1.00	1.05	0.031	0.039	0.041
b	0.19		0.30	0.007		0.15
c	0.09		0.20	0.003		0.012
D	2.90	3.00	3.10	0.114	0.118	0.122
E		6.40			0.252	
E1	4.30	4.40	4.50	0.169	0.173	0.177
e		0.65			0.025	
k	0°		8°	0°		8°
L	0.50	0.60	0.75	0.09	0.0236	0.030
L1	0.45	0.600	0.75	0.018	0.024	0.030
L1		1.000			0.039	

Information furnished is believed to be accurate and reliable. However, STMicroelectronics assumes no responsibility for the consequences of use of such information nor for any infringement of patents or other rights of third parties which may result from its use. No license is granted by implication or otherwise under any patent or patent rights of STMicroelectronics. Specifications mentioned in this publication are subject to change without notice. This publication supersedes and replaces all information previously supplied. STMicroelectronics products are not authorized for use as critical components in life support devices or systems without express written approval of STMicroelectronics.

© The ST logo is a registered trademark of STMicroelectronics

© 2002 STMicroelectronics - Printed in Italy - All Rights Reserved
STMicroelectronics GROUP OF COMPANIES

Australia - Brazil - Canada - China - Finland - France - Germany - Hong Kong - India - Israel - Italy - Japan - Malaysia
Malta - Morocco - Singapore - Spain - Sweden - Switzerland - United Kingdom - United States

© <http://www.st.com>