



4-Channel Audio Processor

PT2312

Description

PT2312 is a four-channel digital control audio processor utilizing CMOS Technology. Volume, Bass, Balance, Front/Rear Fader Processor, Selectable Input Gain are incorporated into a single chip having the highest performance and reliability with the least external components. All functions are programmable using the I²C Bus. PT2312 is housed in 32-pin, SOP Package. 4 stereo inputs with selectable input gain, 2-band tone control (treble & bass), balance, fader and loudness function are incorporated into a single chip having the highest performance and reliability. Pin assignments and application circuits are optimized for easy PCB layout and cost saving advantages.

Features

- CMOS Technology
- Least External Components
- Treble and Bass Control
- Loudness Function
- 4 Stereo Inputs with Selectable Input Gain
- Input/Output for External Noise Reduction System/Equalizer
- 4 Independent Speaker Controls for Fader and Balance
- Independent Mute Function
- Volume Control in 1.25 dB/step
- Low Distortion
- Low Noise and DC Stepping
- Controlled by I²C Bus Micro-Processor Interface
- Available in 32 pins, SOP Package

Applications

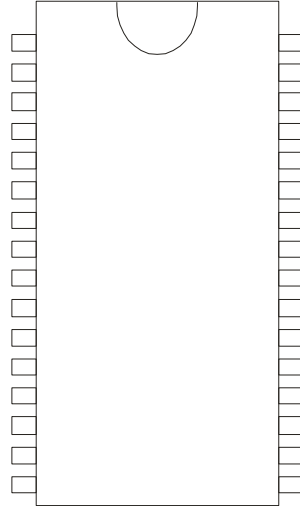
- Car Stereo (Audio)
- Hi-Fi Audio System
- LCD Monitor



4-Channel Audio Processor

PT2312

Pin Configuration



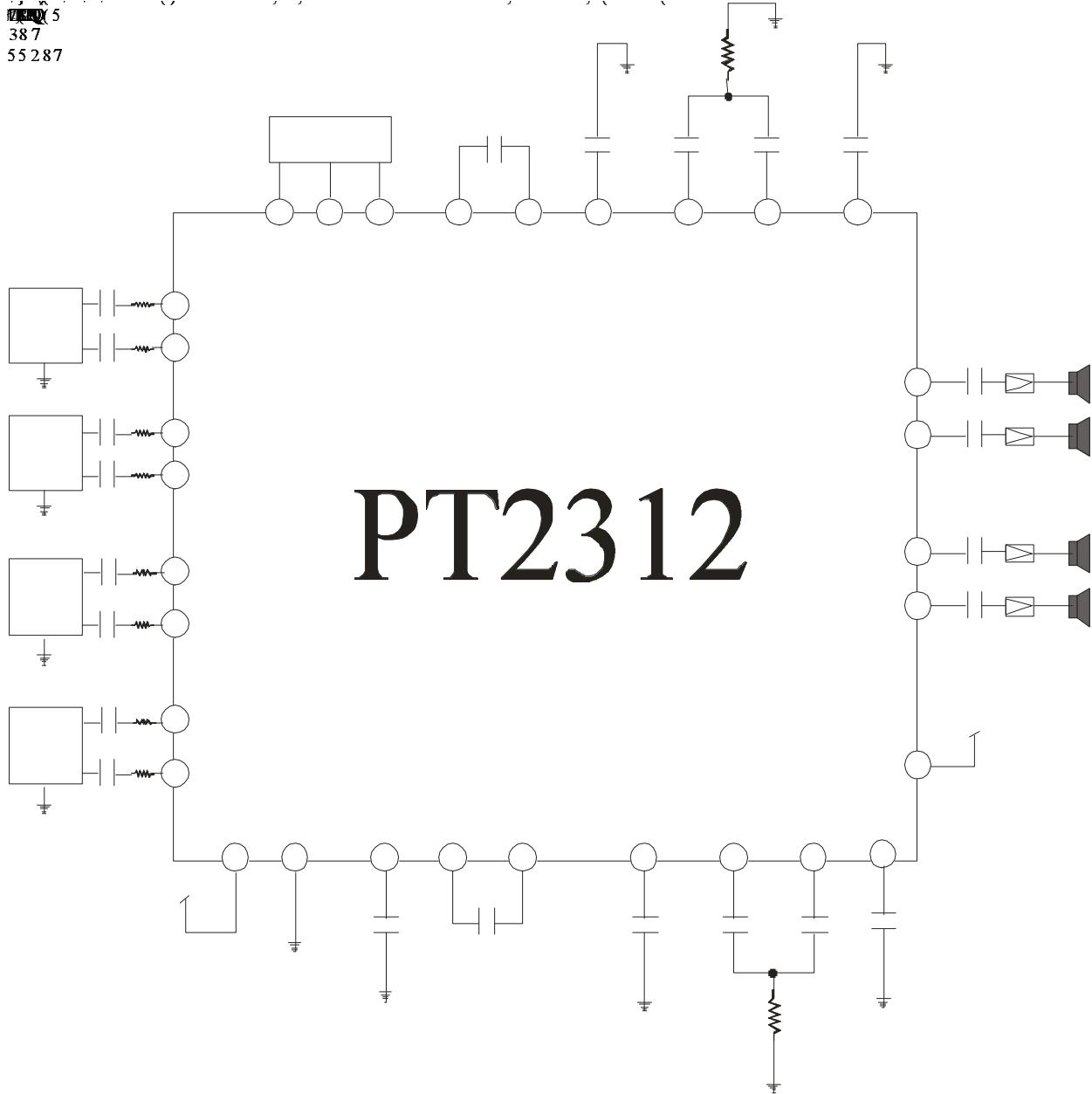


4-Channel Audio Processor

PT2312

Application Circuit

PT2312 5
387
55287



- Notes: 1. The Resistor (R) Range = 2.0K Ohms to 3.6 K Ohms.
- 2. Resistor (R) Recommended Value = 2.4 K Ohms



Order Information

Valid Part Number	Package Type
PT2312	32 Pins, SOP (300 mil)