



TAI-SAW TECHNOLOGY CO., LTD.

No. 3, Industrial 2nd Rd., Ping-Chen Industrial District,
Taoyuan, 324, Taiwan, R.O.C.

TEL: 886-3-4690038 FAX: 886-3-4697532

E-mail: tstsales@mail.taisaw.com Web: www.taisaw.com

Approval Sheet For Product Specification

Issued Date: Sep, 9, 2005

Product Name: SAW Filter 874.55 MHz SMD 3.8X3.8 mm

TST Parts No.:TA0512A

Customer Parts No.: _____

Company: _____
Division: _____
Approved by : _____
Date: _____

Checked by: _____ Bob Chau

Approval by: _____ Francis Chen

Date: _____ 9, 9, 2005



TAI-SAW TECHNOLOGY CO., LTD.

No. 3, Industrial 2nd Rd., Ping-Chen Industrial District,
Taoyuan, 324, Taiwan, R.O.C.

TEL: 886-3-4690038 FAX: 886-3-4697532

E-mail: tstsales@mail.taisaw.com Web: www.taisaw.com

SAW Filter 874.55 MHz

MODEL NO.: TA0512A

REV. NO.:1

A. MAXIMUM RATING:

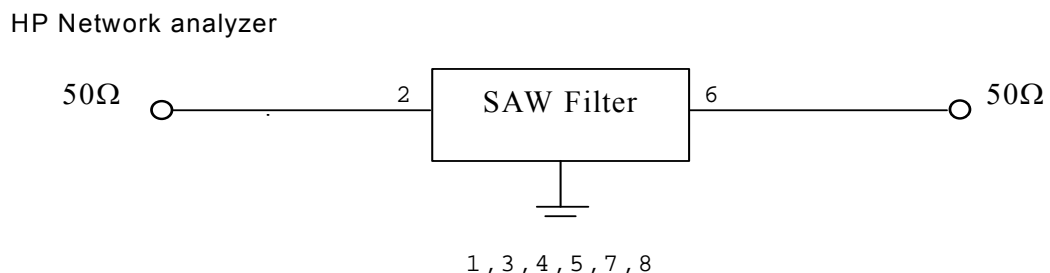
1. Input Power Level: 13 dBm
2. DC voltage: 5 V
3. Operating Temperature: -20°C to +70°C
4. Storage Temperature: -30°C to +85°C

RoHS Compliant
Lead free
Lead-free soldering

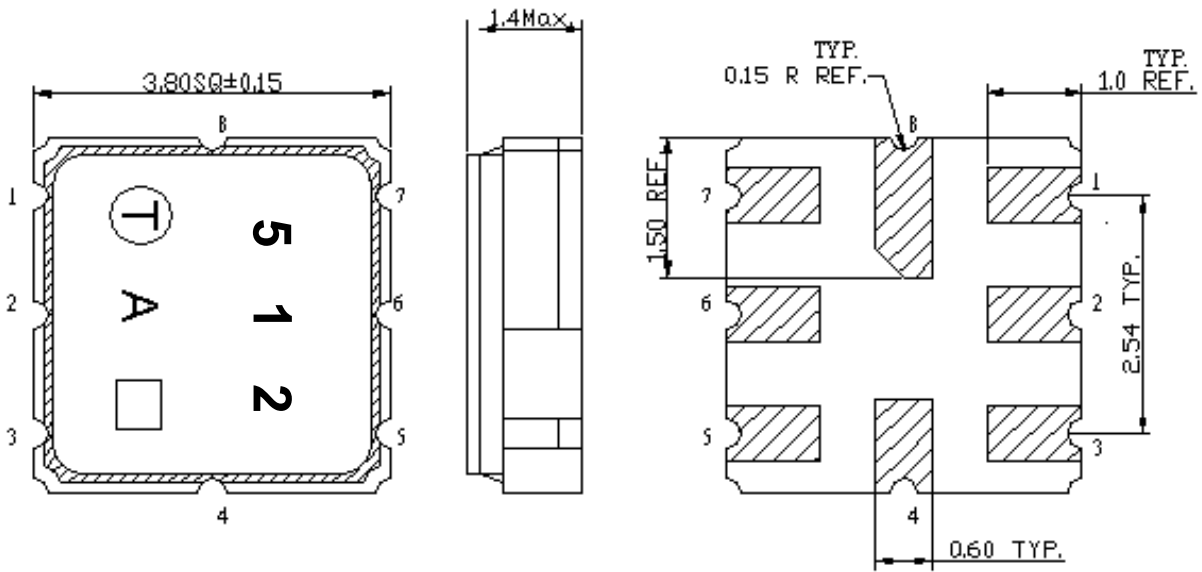
B. ELECTRICAL CHARACTERISTICS:

Item	Unit	Min.	Typ.	Max.
Center frequency F_o	MHz	-	874.55	-
1.5-dB Bandwidth	MHz	-	F _o ±4.6	-
Operational Bandwidth	MHz	870	-	879.1
Insertion Loss at F _o	dB	-	2.7	3.5
Amplitude Variation (870~879.1 MHz)	dB	-	0.5	1.5
Attenuation (Reference level from 0 dB)				
0 ~ 850 MHz	dB	35	59	-
850 ~ 859 MHz	dB	10	33	-
888 ~ 893 MHz	dB	10	28	-
893 ~ 902 MHz	dB	30	38	-
902 ~ 2000 MHz	dB	34	37	-
Input/Output VSWR (870~879.1 MHz)		-	1.7	2.5
Source impedance Z_s	Ω	-	50	-
Load impedance Z_L	Ω	-	50	-

C. MEASUREMENT CIRCUIT:

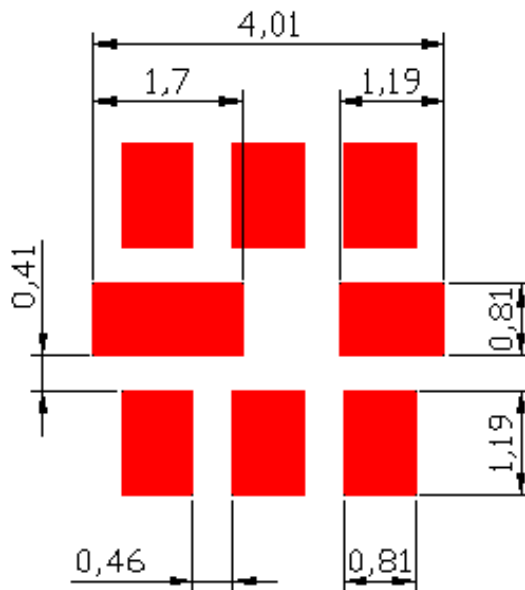


D. OUTLINE DRAWING:

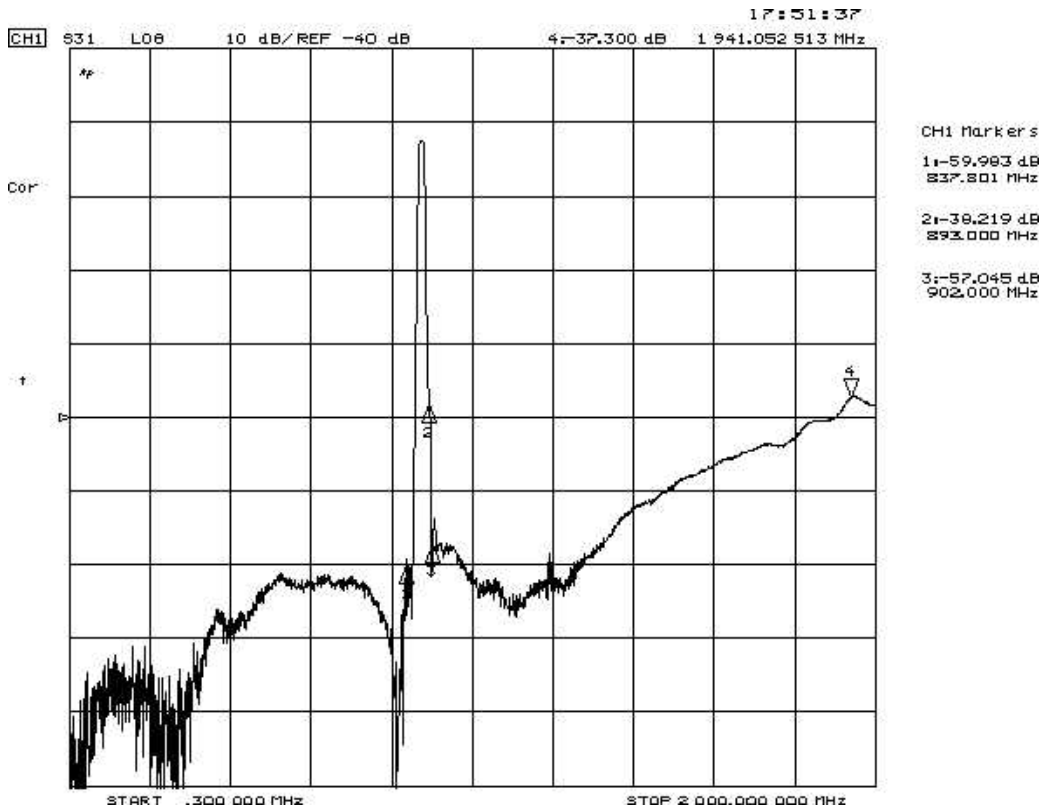


- 2 : Input
- 6: Output
- 1,3,4,5,7,8: Ground
- : Date Code
- Unit: mm

E. PCB Footprint:

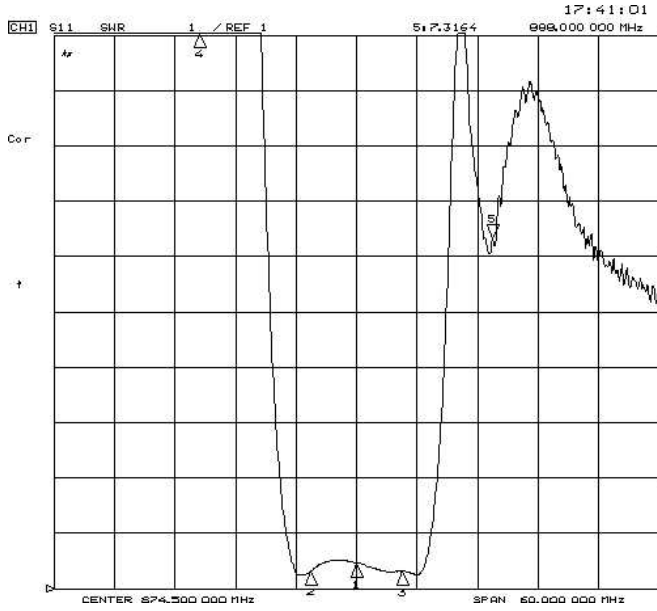


F. Frequency Characteristics : Transfer function



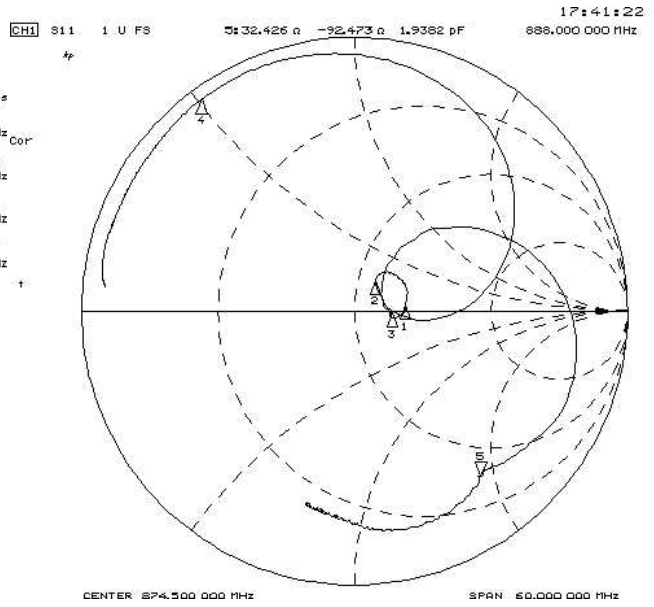
Reflections Functions :

S11



CHI Markers

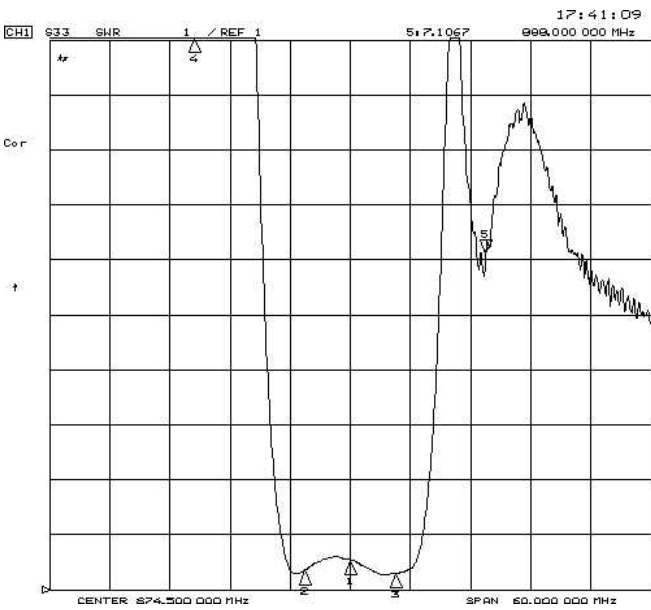
1: 1.4651	874.550 MHz
2: 1.3232	870.000 MHz
3: 1.3213	879.100 MHz
4: 44.320	859.000 MHz



CHI Markers

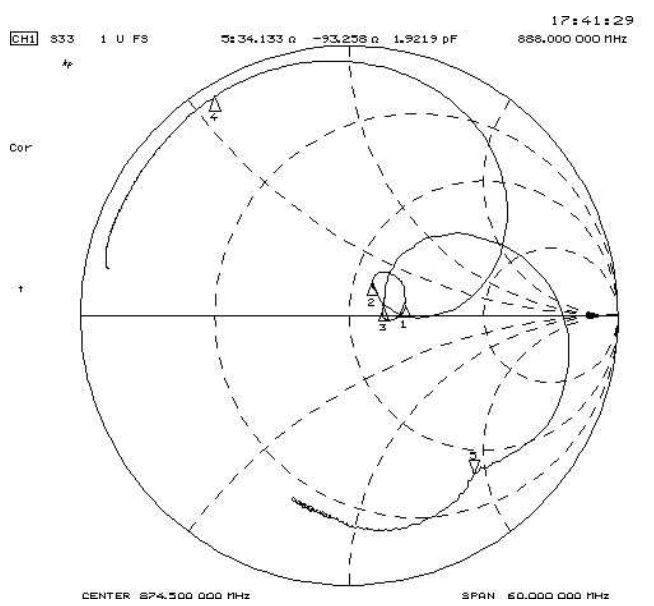
1: 72.996 a	3.2461 a	874.550 MHz
2: 56.695 a	13.270 a	870.000 MHz
3: 66.039 a	-7.5516 a	879.100 MHz
4: 1.4131 a	25.553 a	859.000 MHz

S22



CHI Markers

1: 1.5404	874.550 MHz
2: 1.3596	870.000 MHz
3: 1.3063	879.100 MHz
4: 42.755	859.000 MHz

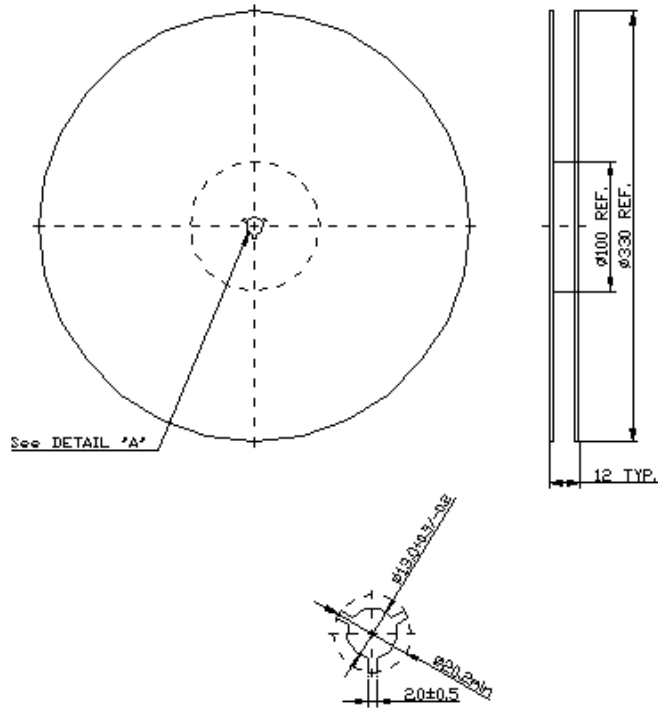


CHI Markers

1: 75.959 a	7.0937 a	874.550 MHz
2: 57.434 a	14.813 a	870.000 MHz
3: 64.617 a	-4.2391 a	879.100 MHz
4: 1.5439 a	27.951 a	859.000 MHz

G. PACKING:

1. REEL DIMENSION



2. TAPE DIMENSION

