



# TAI-SAW TECHNOLOGY CO., LTD.

No. 3, Industrial 2nd Rd., Ping-Chen Industrial District,  
Taoyuan, 324, Taiwan, R.O.C.

TEL: 886-3-4690038 FAX: 886-3-4697532

E-mail: [tstsales@mail.taisaw.com](mailto:tstsales@mail.taisaw.com) Web: [www.taisaw.com](http://www.taisaw.com)

## Approval Sheet For Product Specification

Issued Date: Sep, 8, 2005

Product Name: SAW Filter 2345 MHz SMD 3X3 mm

TST Parts No.:TA0515A

Customer Parts No.:\_\_\_\_\_

Company:_____
Division:_____
Approved by :_____
Date:_____

Checked by:\_\_\_\_\_ Bob Chau

Approval by:\_\_\_\_\_ Francis Chen

Date:\_\_\_\_\_ 9, 8, 2005



# TAI-SAW TECHNOLOGY CO., LTD.

No. 3, Industrial 2nd Rd., Ping-Chen Industrial District,  
Taoyuan, 324, Taiwan, R.O.C.

TEL: 886-3-4690038 FAX: 886-3-4697532

E-mail: [tstsales@mail.taisaw.com](mailto:tstsales@mail.taisaw.com) Web: [www.taisaw.com](http://www.taisaw.com)

## SAW Filter 2345 MHz

MODEL NO.: TA0515A

REV. NO.:1

### A. MAXIMUM RATING:

1. Input Power Level: 10 dB<sub>m</sub>
2. DC voltage: 3 V
3. Operating Temperature: -40°C to +85°C
4. Storage Temperature: -50°C to +95°C

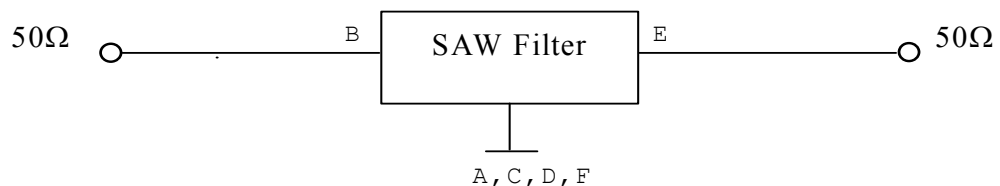
RoHS Compliant  
Lead free  
Lead-free soldering

### B. ELECTRICAL CHARACTERISTICS:

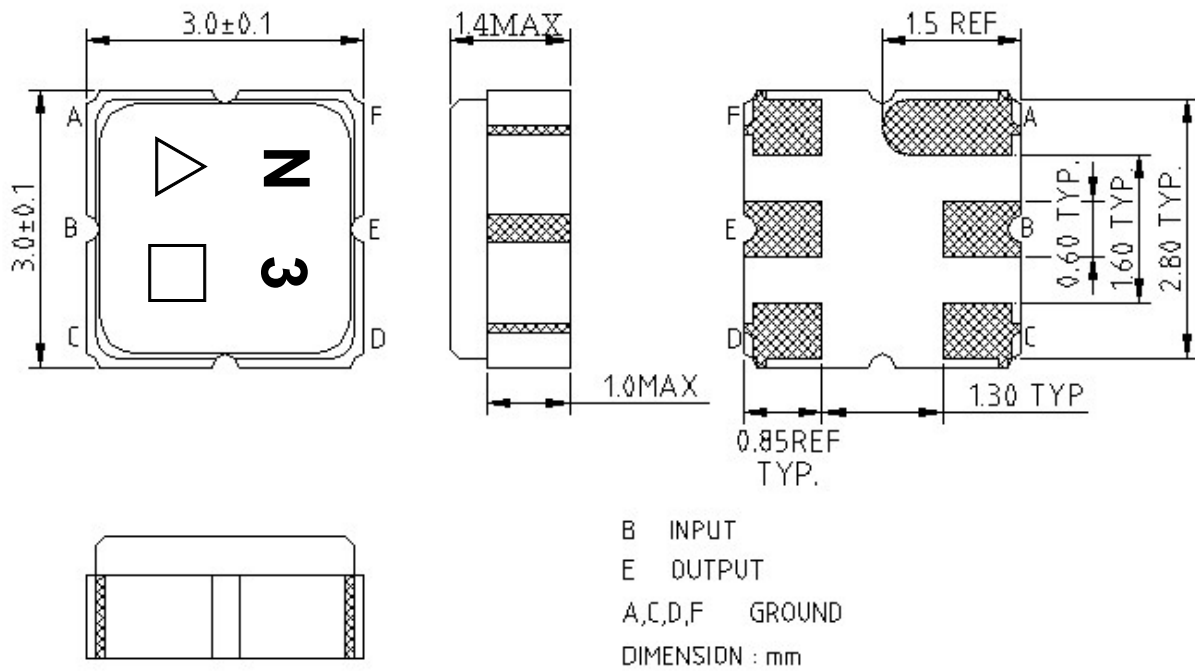
Item		Min.	Typ.	Max.
<b>Center frequency</b>	<b>F<sub>c</sub></b> (dB)	-	2345	-
<b>Insertion loss</b> (2331.5~2358.5 MHz)	<b>IL</b> (dB)	-	2.3	4.0
<b>Amplitude ripple</b> (2331.5~2358.5 MHz)	(dB)	-	0.9	2.0
<b>Group delay ripple</b> (2331.5~2358.5 MHz)	(ns)	-	5	50
<b>Attenuation</b> (Reference level from 0 dB)				
D.C. ~ 2187	MHz (dB)	40	42.6	-
2239	MHz (dB)	27	43	-
2412	MHz (dB)	12	40	-
2438	MHz (dB)	17	59	-
2512	MHz (dB)	27	59	-
2538	MHz (dB)	32	62	-
2700 ~ 3500	MHz (dB)	30	39	-
<b>VSWR</b> (2331.5~2358.5 MHz)		-	1.4	2.5
<b>Source impedance</b>	Z <sub>s</sub> (Ω)	-	50	-
<b>Load impedance</b>	Z <sub>L</sub> (Ω)	-	50	-

### C. MEASUREMENT CIRCUIT:

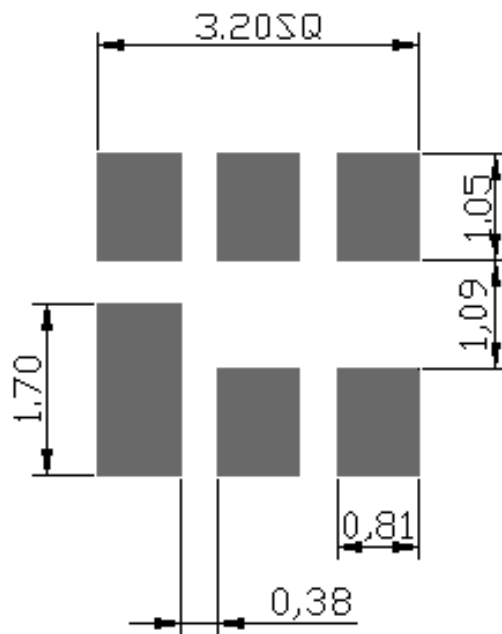
HP Network analyzer



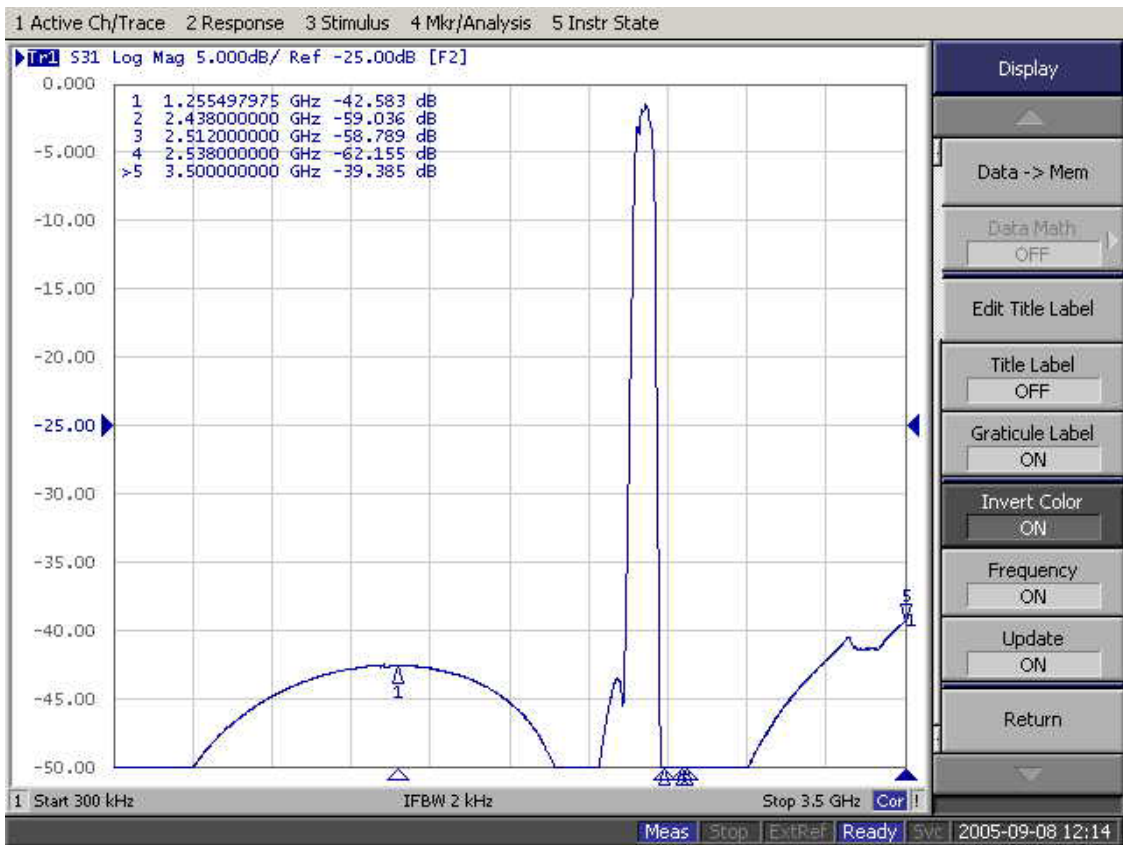
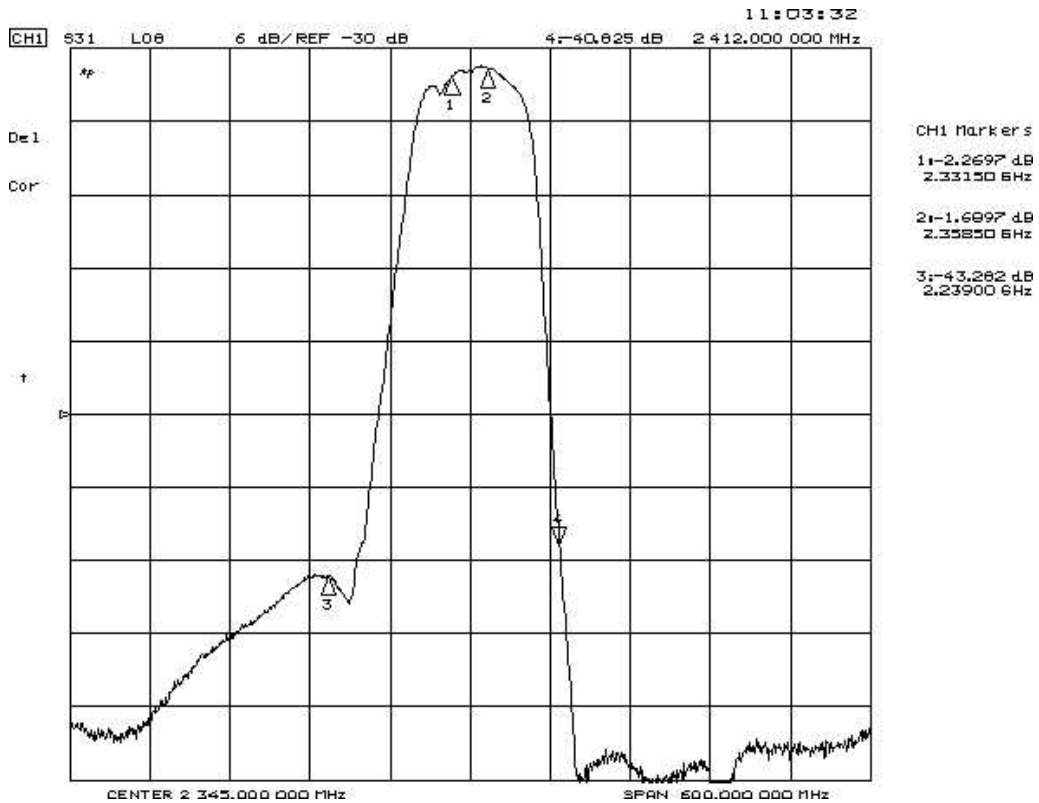
**D. OUTLINE DRAWING:**



**E. PCB Footprint:**

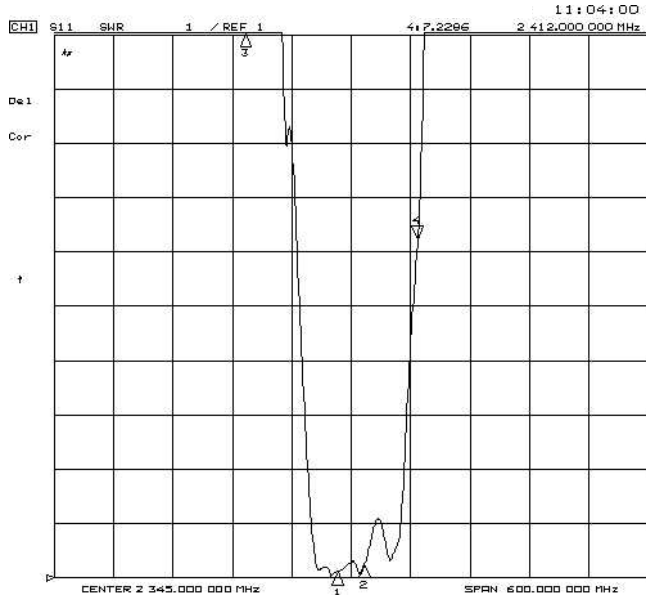


## F. Frequency Characteristics : Transfer function

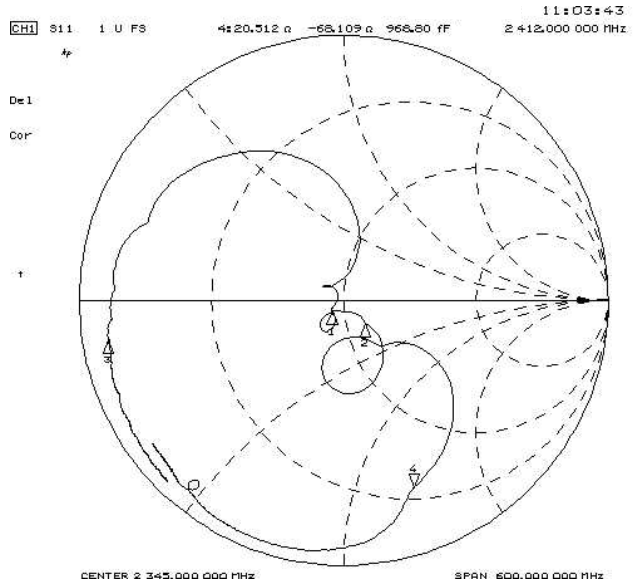


# Reflections Functions :

## S11 VSWR

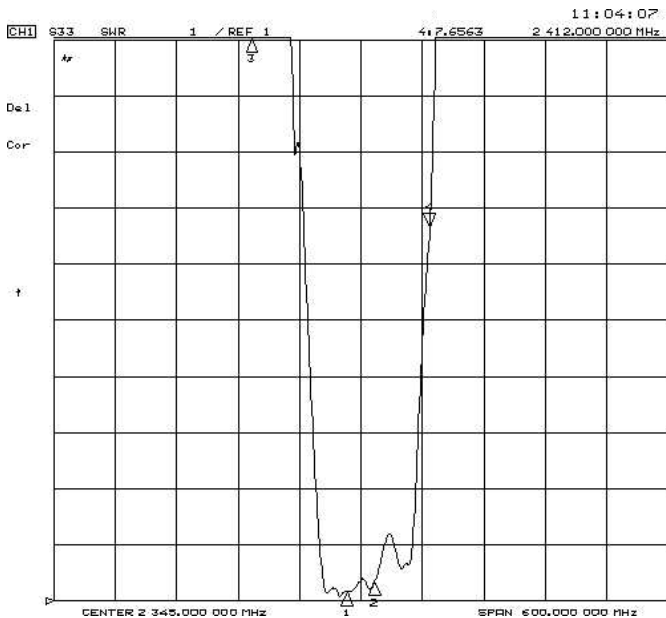


CH1 Markers  
 1: 1.1275  
 2.33150 GHz  
 2: 1.2670  
 2.35650 GHz  
 3: 19.373  
 2.23900 GHz

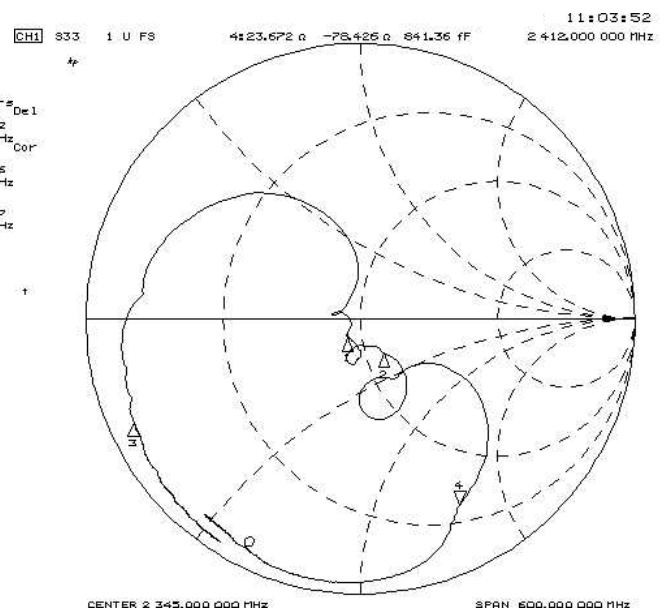


CH1 Markers  
 1: 45.645 a  
 -3.7383 a  
 2.33150 GHz  
 2: 57.959 a  
 -9.9824 a  
 2.35650 GHz  
 3: 2.6062 a  
 -4.0747 a  
 2.23900 GHz

## S22 VSWR

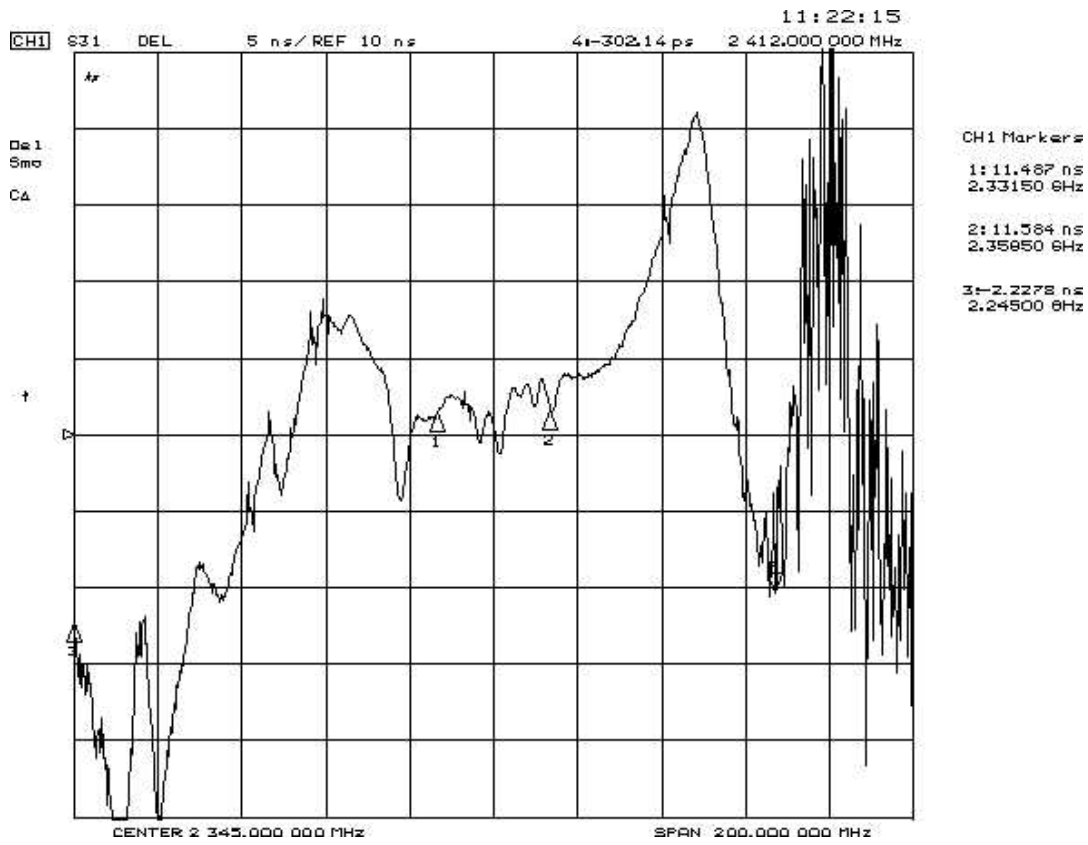


CH1 Markers  
 1: 1.1752  
 2.33150 GHz  
 2: 1.3596  
 2.35650 GHz  
 3: 20.707  
 2.23900 GHz



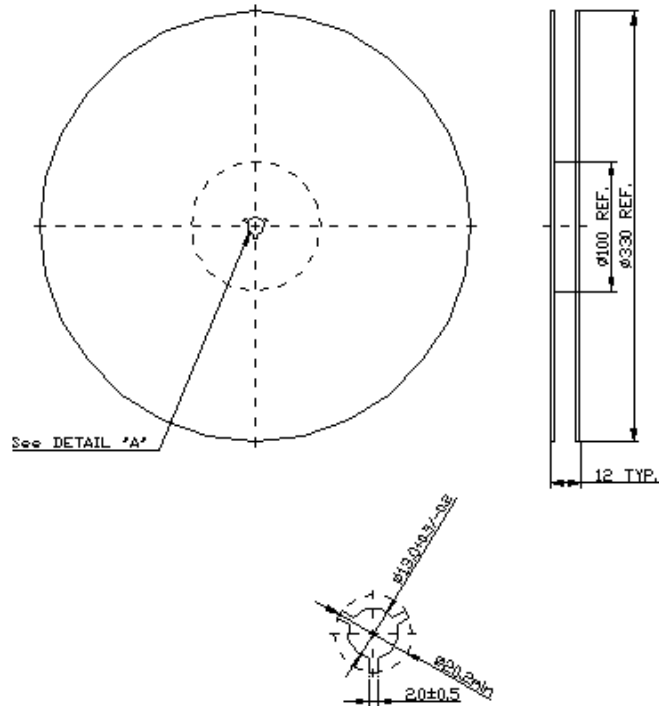
CH1 Markers  
 1: 45.273 a  
 -6.0547 a  
 2.33150 GHz  
 2: 57.426 a  
 -14.742 a  
 2.35650 GHz  
 3: 2.5342 a  
 -10.793 a  
 2.23900 GHz

# Group Delay :



## G. PACKING:

### 1. REEL DIMENSION



### 2. TAPE DIMENSION

