

**SXC SERIES**
**105°C, Overvoltage Vent Operation Facility,  
Snap-in Terminal Type**
**◆ FEATURES**

- Load Life : 105°C 2000 hours.
- RoHS compliance.



• This series has specification of vent operation in overvoltage situation. Please consult us for any further details.

**◆ SPECIFICATIONS**

| Items                              | Characteristics  |                    |                                   |                    |  |                 |                                    |
|------------------------------------|--|--------------------|-----------------------------------|--------------------|--|-----------------|------------------------------------|
| Category Temperature Range         | -25~+105°C   |                    |                                   |                    |  |                 |                                    |
| Rated Voltage Range                | 200V.DC, 400V.DC   |                    |                                   |                    |  |                 |                                    |
| Capacitance Tolerance              | ±20% (20°C, 120Hz)   |                    |                                   |                    |  |                 |                                    |
| Leakage Current(MAX)               | $I=3\sqrt{CV}$ (After 5 minutes application of rated voltage)<br>$I$ =Leakage Current(μA) $V$ =Rated Voltage(V) $C$ =Rated Capacitance(μF)   |                    |                                   |                    |  |                 |                                    |
| Dissipation Factor(MAX)<br>(tan δ) | 0.15 (20°C, 120Hz)   |                    |                                   |                    |  |                 |                                    |
| Impedance Ratio(MAX)               | <table border="1"> <thead> <tr> <th>Rated Voltage (V)</th> <th>200</th> <th>400</th> </tr> </thead> <tbody> <tr> <td><math>Z(-25°C)/Z(20°C)</math></td> <td>3</td> <td>8</td> </tr> </tbody> </table> (120Hz)  | Rated Voltage (V)  | 200                               | 400                | $Z(-25°C)/Z(20°C)$                         | 3               | 8                                  |
| Rated Voltage (V)                  | 200  | 400                |                                   |                    |  |                 |                                    |
| $Z(-25°C)/Z(20°C)$                 | 3  | 8                  |                                   |                    |  |                 |                                    |
| Endurance                          | After applying rated voltage with rated ripple current for 2000hrs at 105°C, the capacitors shall meet the following requirements. <table border="1"> <tbody> <tr> <td>Capacitance Change</td> <td>Within ±20% of the initial value.</td> </tr> <tr> <td>Dissipation Factor</td> <td>Not more than 200% of the specified value.</td> </tr> <tr> <td>Leakage Current</td> <td>Not more than the specified value.</td> </tr> </tbody> </table> | Capacitance Change | Within ±20% of the initial value. | Dissipation Factor | Not more than 200% of the specified value. | Leakage Current | Not more than the specified value. |
| Capacitance Change                 | Within ±20% of the initial value.  |                    |                                   |                    |  |                 |                                    |
| Dissipation Factor                 | Not more than 200% of the specified value.   |                    |                                   |                    |  |                 |                                    |
| Leakage Current                    | Not more than the specified value.   |                    |                                   |                    |  |                 |                                    |

**◆ MULTIPLIER FOR RIPPLE CURRENT**

Frequency coefficient

| Frequency (Hz) | 60(50) | 120  | 500  | 1k   | 10k≤ |      |
|----------------|--------|------|------|------|------|------|
| Coefficient    | 200WV  | 0.80 | 1.00 | 1.10 | 1.14 | 1.18 |
|                | 400WV  | 0.80 | 1.00 | 1.05 | 1.10 | 1.15 |

**◆ PART NUMBER**

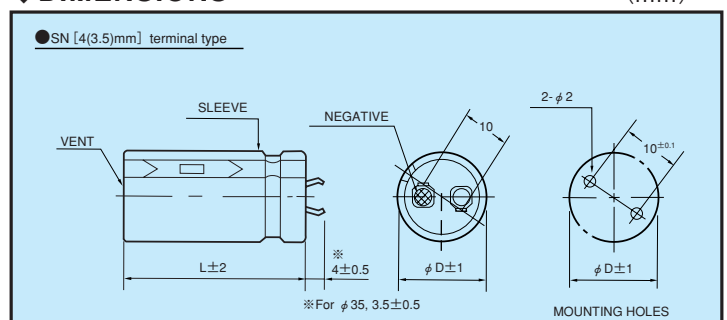
|               |        |                   |                       |        |               |           |
|---------------|--------|-------------------|-----------------------|--------|---------------|-----------|
| □□□           | SXC    | □□□□□             | □                     | OOE    | SN            | D×L       |
| Rated Voltage | Series | Rated Capacitance | Capacitance Tolerance | Option | Terminal Code | Case Size |

**◆ Option**

|               | Code  |
|---------------|-------|
| without plate | OOE   |
| with plate    | Blank |

**◆ DIMENSIONS**

(mm)



**◆STANDARD SIZE, RATED RIPPLE CURRENT**

| Cap(μF) | WV<br>φD | 200  |       |      |       |      |                                      |                                    |                                      |                                    |  |
|---------|----------|------|-------|------|-------|------|--------------------------------------|------------------------------------|--------------------------------------|------------------------------------|--|
|         |          | φ 20 |       | φ 22 |       | φ 25 |                                      | φ 30                               |                                      | φ 35                               |  |
| 82      | 20×20    | 0.42 |       |      |       |      |                                      |                                    |                                      |                                    |  |
| 100     | 20×20    | 0.47 | 22×20 | 0.51 |       |      |                                      |                                    |                                      |                                    |  |
| 120     | 20×20    | 0.52 | 22×20 | 0.56 |       |      |                                      |                                    |                                      |                                    |  |
| 150     | 20×25    | 0.69 | 22×25 | 0.69 | 25×20 | 0.63 |                                      |                                    |                                      |                                    |  |
| 180     | 20×25    | 0.75 | 22×25 | 0.75 | 25×20 | 0.70 |                                      |                                    |                                      |                                    |  |
| 220     | 20×30    | 0.87 | 22×25 | 0.88 | 25×25 | 0.88 | 30×20                                | 0.85                               |                                      |                                    |  |
| 270     | 20×35    | 1.00 | 22×25 | 0.99 | 25×25 | 0.99 | 30×20                                | 0.95                               |                                      |                                    |  |
| 330     | 20×40    | 1.20 | 22×30 | 1.20 | 25×25 | 1.20 | <del>30×20</del><br><del>30×25</del> | <del>1.05</del><br><del>1.20</del> | 35×20                                | 1.08                               |  |
| 390     |          |      | 22×35 | 1.30 | 25×30 | 1.34 | 30×25                                | 1.30                               | 35×20                                | 1.15                               |  |
| 470     |          |      | 22×40 | 1.44 | 25×30 | 1.44 | 30×25                                | 1.48                               | 35×25                                | 1.48                               |  |
| 560     |          |      | 22×45 | 1.60 | 25×35 | 1.60 | 30×30                                | 1.60                               | 35×25                                | 1.58                               |  |
| 680     |          |      |       |      | 25×40 | 1.76 | 30×30                                | 1.74                               | 35×25                                | 1.74                               |  |
| 820     |          |      |       |      |       |      | 30×35                                | 2.11                               | 35×30                                | 2.10                               |  |
| 1000    |          |      |       |      |       |      | 30×45                                | 2.40                               | <del>35×30</del><br><del>35×35</del> | <del>2.30</del><br><del>2.30</del> |  |
| 1200    |          |      |       |      |       |      |                                      |                                    | <del>35×35</del><br><del>35×40</del> | <del>2.65</del><br><del>2.65</del> |  |
| 1500    |          |      |       |      |       |      |                                      |                                    | 35×45                                | 3.08                               |  |

| Cap(μF) | WV<br>φD | 400  |       |      |                                      |                                    |                                      |                                    |       |      |  |
|---------|----------|------|-------|------|--------------------------------------|------------------------------------|--------------------------------------|------------------------------------|-------|------|--|
|         |          | φ 20 |       | φ 22 |                                      | φ 25                               |                                      | φ 30                               |       | φ 35 |  |
| 22      | 20×20    | 0.20 |       |      |                                      |                                    |                                      |                                    |       |      |  |
| 27      | 20×20    | 0.22 | 22×20 | 0.23 |                                      |                                    |                                      |                                    |       |      |  |
| 33      | 20×20    | 0.25 | 22×20 | 0.25 |                                      |                                    |                                      |                                    |       |      |  |
| 39      | 20×25    | 0.35 | 22×20 | 0.28 | 25×20                                | 0.30                               |                                      |                                    |       |      |  |
| 47      | 20×25    | 0.39 | 22×25 | 0.39 | 25×20                                | 0.34                               |                                      |                                    |       |      |  |
| 56      | 20×30    | 0.44 | 22×25 | 0.45 | <del>25×20</del><br><del>25×25</del> | <del>0.39</del><br><del>0.45</del> | 30×20                                | 0.41                               |       |      |  |
| 68      | 20×35    | 0.51 | 22×25 | 0.49 | 25×25                                | 0.49                               | 30×20                                | 0.45                               |       |      |  |
| 82      | 20×40    | 0.57 | 22×30 | 0.56 | 25×25                                | 0.56                               | <del>30×20</del><br><del>30×25</del> | <del>0.50</del><br><del>0.56</del> | 35×20 | 0.51 |  |
| 100     |          |      | 22×35 | 0.62 | 25×30                                | 0.61                               | 30×25                                | 0.59                               | 35×20 | 0.54 |  |
| 120     |          |      | 22×40 | 0.73 | 25×30                                | 0.73                               | 30×25                                | 0.73                               | 35×20 | 0.61 |  |
| 150     |          |      | 22×45 | 0.85 | 25×35                                | 0.85                               | 30×30                                | 0.79                               | 35×25 | 0.78 |  |
| 180     |          |      |       |      | 25×40                                | 0.94                               | 30×30                                | 0.95                               | 35×25 | 0.95 |  |
| 220     |          |      |       |      | 25×45                                | 1.07                               | 30×35                                | 1.24                               | 35×30 | 1.24 |  |
| 270     |          |      |       |      |                                      |                                    | <del>30×35</del><br><del>30×40</del> | <del>1.35</del><br><del>1.30</del> | 35×35 | 1.28 |  |
| 330     |          |      |       |      |                                      |                                    | 30×45                                | 1.47                               | 35×35 | 1.41 |  |
| 390     |          |      |       |      |                                      |                                    |                                      |                                    | 35×40 | 1.59 |  |
| 470     |          |      |       |      |                                      |                                    |                                      |                                    | 35×45 | 1.87 |  |

↑ Ripple Current (A r.m.s./120Hz, 105°C)  
↑ Case Size φ D×L(mm)