

Features

- Single pole/double throw
 - Compatible with most surface mount manufacturing processes
 - 50 or 2000 cycle rotational life
 - Tape and reel packaged
- RoHS compliant* - see [processing information](#) on lead free surface mount components
 - For switch applications/processing guidelines, [click here](#)

7813 SMD 3 mm Square Sealed Rotary Switch

Electrical Characteristics

Contact Rating
 Maximum Current 100 mA max.
 Maximum Voltage 16 V
 Contact Timing Non-shorting
 Contact Resistance 2 ohms max.
 Insulation Resistance
 100 megohms min.
 Dielectric Strength 250 VAC

General Characteristics

Switch Type SPDT
 Operating Temperature Range
 -55 °C to +125 °C
 Storage Temperature Range
 -55 °C to +125 °C
 Seal Test 85 °C Fluorinert†

Mechanical Characteristics

Positions 2
 Adjustment Torque5 N-cm max.
 Stop Strength 1.8 N-cm min.

Environmental Characteristics

Shock 20 G
 0.1 ms max. discontinuity
 Vibration 100 G
 0.1 ms max. discontinuity
 Thermal Shock (5 cycles)
 -55 °C to +125 °C

Humidity
 Insulation Resistance
 10 megohms min.

Rotational Life
 -051 50 Cycles
 -023 2000 Cycles

Standard Packaging
 J 1,000 pcs./reel
 S 200 pcs./reel

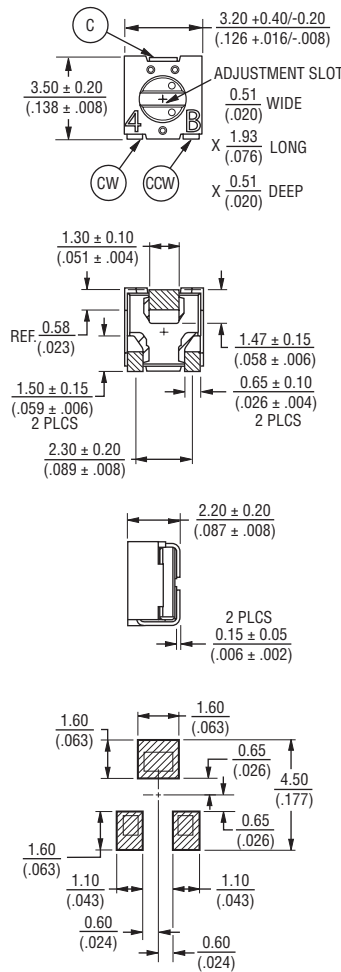
How to Order

7813 J - 1 - 051 E

Model _____
 Terminal _____
 Switch Type _____
 1 = SPDT
 Rotational Life _____
 -051 = 50 Cycles
 -023 = 2000 Cycles
 Embossed Tape _____
 E = 1000 Pcs./180 mm Reel (J Style)
 S = 200 Pcs./180 mm Reel (S Style)

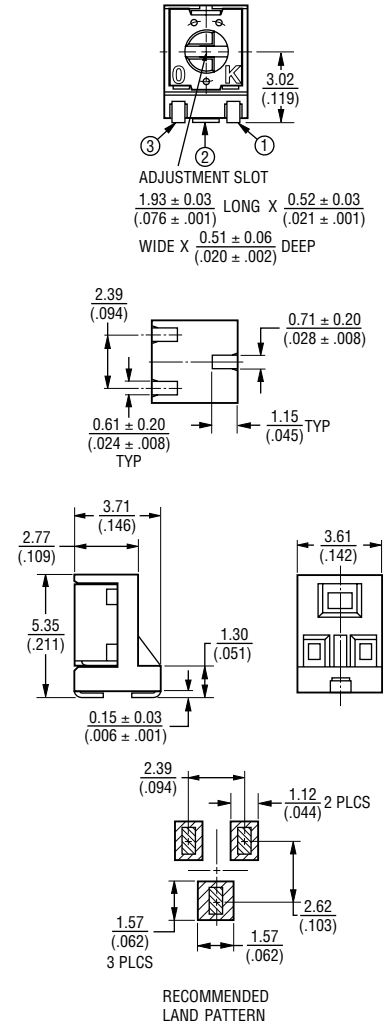
Product Dimensions

7813J



RECOMMENDED LAND PATTERN

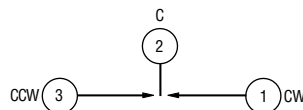
7813S



RECOMMENDED LAND PATTERN

DIMENSIONS: $\frac{\text{MM}}{\text{(INCHES)}}$

TOLERANCES: ±2 EXCEPT WHERE NOTED.



*RoHS Directive 2002/95/EC Jan 27 2003 including Annex.

†"Fluorinert" is a registered trademark of 3M Co.

Specifications are subject to change without notice.

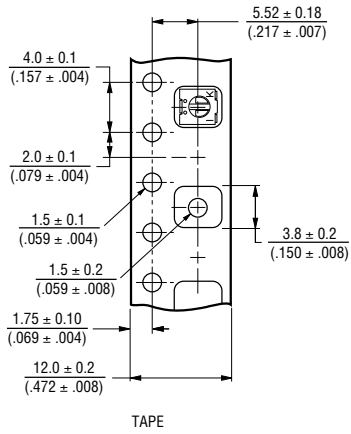
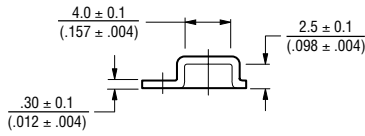
Customers should verify actual device performance in their specific applications.

7813 SMD 3 mm Square Sealed Rotary Switch

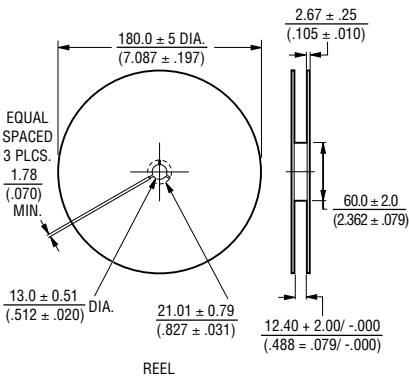
BOURNS®

Packaging Specifications

7813J



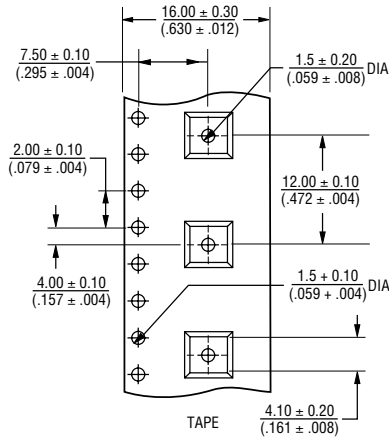
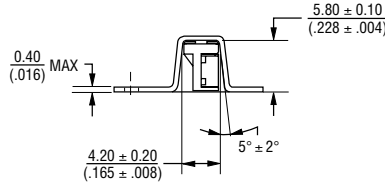
TAPE



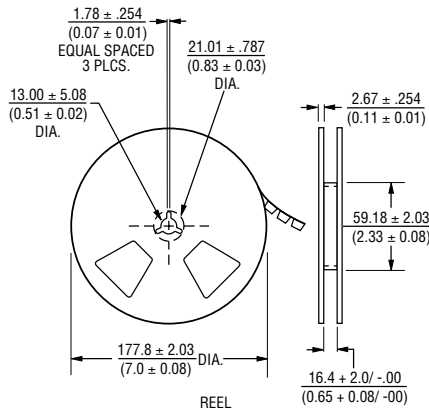
REEL

Meets EIA 481

7813S



TAPE



REEL

Meets EIA 481

DIMENSIONS: $\frac{\text{MM}}{\text{(INCHES)}}$

REV. 08/10

Specifications are subject to change without notice. Customers should verify actual device performance in their specific applications.