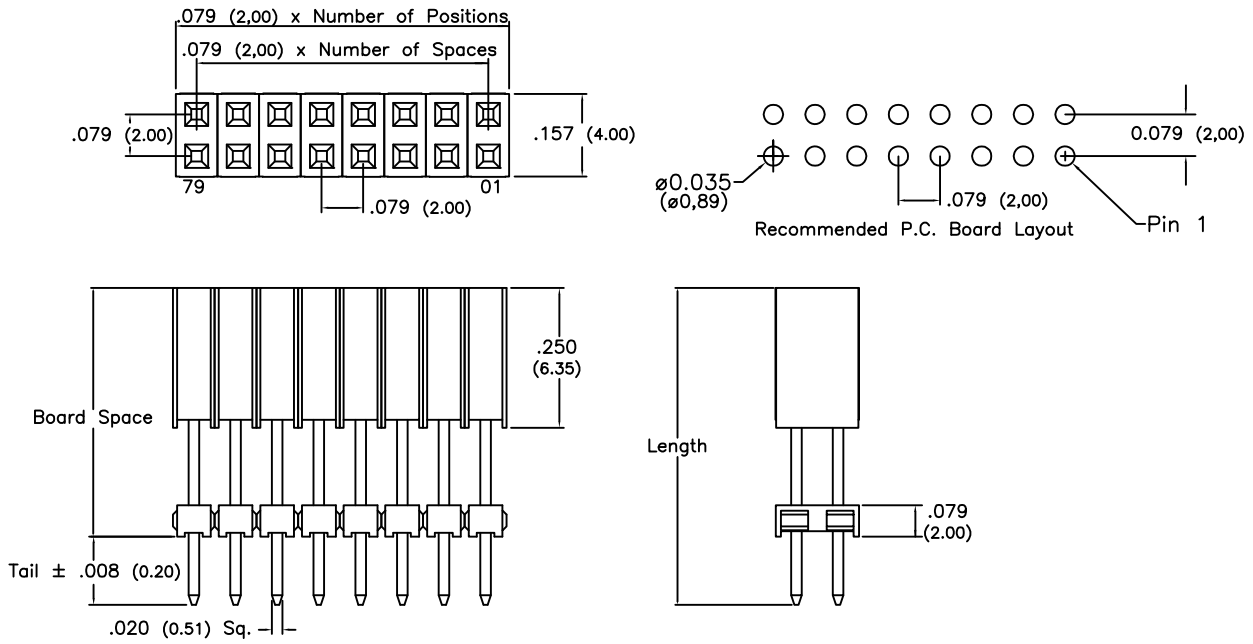


Major League Electronics .079 cl Board Stacker Socket Strips - Custom - using .020"sq. pins



Tails may be clipped to achieve desired pin length

Ordering Information

BSSQC-2 [] - D - [] - [] - [] - [] - [] - LF

Pins Per Row

01 - 40

Row Specification

D = Double Row

Lead Free

Polarized Position

Leave blank if not needed

If required, specify empty pin position, e.g. 012 for Pin 12

Lock Tight "LT" Option

Leave blank if not needed

LT = With

Desired Board Space

Please specify

e.g. .100 (2.54) = 100

Pin Options						
Overall Length	Max. Tail length	Max. Board Space				
.414	10.52mm	.104	2.64mm	.364	9.25mm	04
.458	11.63mm	.148	3.76mm	.408	10.36mm	05
.534	13.56mm	.224	5.69mm	.484	12.29mm	06
.692	17.58mm	.382	9.70mm	.642	16.31mm	07
.850	21.59mm	.540	13.72mm	.800	20.32mm	08

Plating Options	
G	10µ Gold on Contact Area / Flash on Tail
T	Matte Tin All Over
G1	10µ Gold on Contact Area / Matte Tin on Tail
H	30µ Gold on Contact Area / Matte Tin on Tail
F	Gold Flash over Entire Pin

Specifications

Insertion Force - Single Contact only - H Plating:

4oz. (1,11N) avg with .079 (2,00mm) sq. pin

Withdrawal Force - Single Contact only - H Plating:

3oz. (0,83N) avg with .079 (2,00mm) sq. pin

Current Rating: 2.0 Ampere

Insulation Resistance: 1000MΩ Min.

Dielectric Withstanding: 500V AC

Contact Resistance: 10 mΩ Max.

Operating Temperature: -40°C to + 105°C

Max. Process Temperature:

Peak: 260°C up to 10 secs.

Process: 230°C up to 60 secs.

Wave: 260°C up to 6 secs.

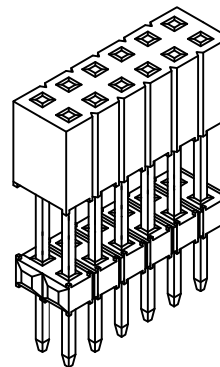
Manual Solder: 350°C up to 5 secs.

Materials

Contact Material: Phosphor Bronze

Insulator Material: Nylon 6T

Plating: Au or Sn over 50µ" (1,27) Ni



Mates with:
SSH,
SSHR,
SH,
BSSH,
BSSQ,
SSHSM,
SSHQ,
SSHQR

Products cut to specific sizes are uncancellable/nonreturnable

Parts are subject to change without notice

BSSQC-2-D SERIES

.079cl Board Stacker Socket Strips

19 FEB 07

Scale
NTS

UNLESS OTHERWISE SPECIFIED
DIMENSIONS IN INCHES (MM)
TOLERANCES ARE:

ONE PLACE DECIMALS ±.100
TWO PLACE DECIMALS ±.010
THREE PLACE DECIMALS ±.005
FOUR PLACE DECIMALS ±.0020

ANGLES
±5°



4235 Earnings Way, New Albany, Indiana, 47150, USA

1-800-782-3486 (USA/Canada/Mexico)

Tel: 812-944-7244

Fax: 812-944-7268

E-mail: mle@mlelectronics.com

Web: www.mlelectronics.com

Edition
1

Sheet
1/1