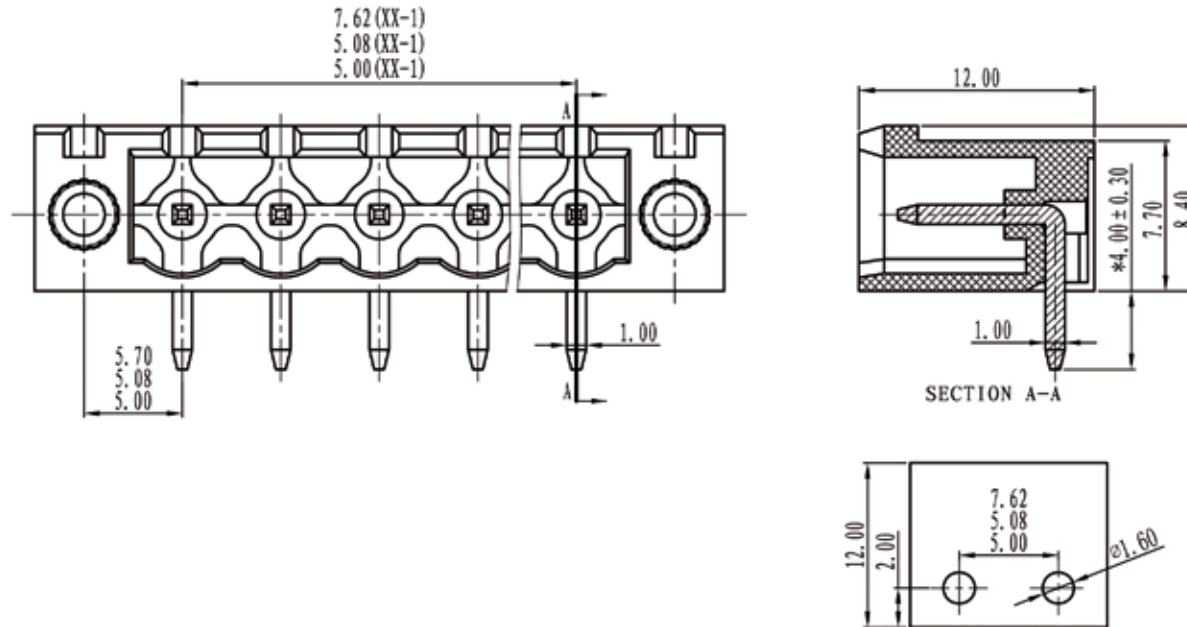


euro-block

product specification



Electrical

Standard: UL-IEC
 Rated voltage: 250V-320V
 Rated current: 10A-20A
 Contact resistance: 20m Ω
 Withstanding voltage: AC2000V/1Min
 Insulation resistance: 5000M Ω/DC1000V

Mechanical

Temp.Range: -40°C~+105°C
 MAX soldering: +250°C, for 5 sec

Dimensions

Pitch: 5.00mm, 5.08mm, 7.62mm
 Poles: 2p-24p

Material

Housing: PA66, UL94V-0
 Pin header: Brass, Tin plated
 Nut: M2.5 Brass

TOLERANCES EXCEPT AS NOTED

variable range	linear dimension				fillet	chamfer	short angle sid			≡	-	□	//	⊥			
	to 6	over 6 to 30	over 30 to 120	over 120 to 480	all	over 6 to 6	over 10 to 10	over 50 to 50	over 120 to 10'								
tolerance	±0.1	±0.2	±0.3	±0.5	±0.9	±0.2	±0.5	±1	1°	30'	20'	10'	0.5	0.025	0.06	0.12	0.4

UNITS	mm	SIZE	A4	SCALE	FIRST ANGLE PROJECTION	
euro-block						
					NAME	CCM-5/5.08/7.62-HF