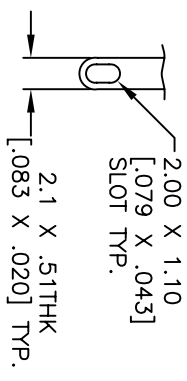
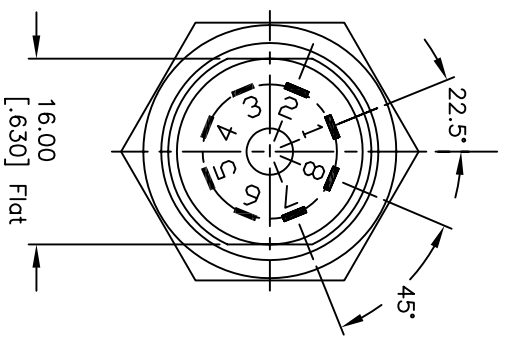
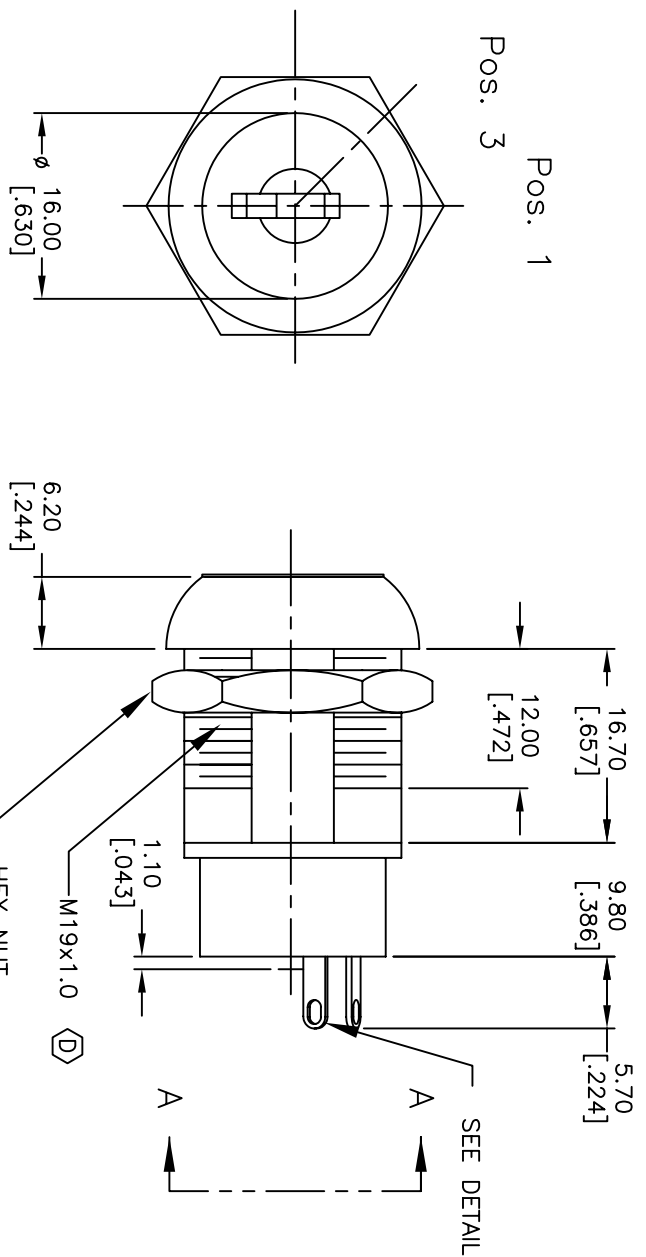


RECOMMENDED PANEL LAYOUT



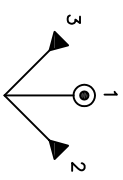
TERMINAL DETAIL
SCALE 2X

- NOTES:
1. ALL DIMENSIONS IN MM [INCH]
 2. GENERAL TOLERANCE: X.X=±0.4
X.XX=±0.25
 3. TERM. NOS. FOR REF. ONLY
 4. CONTACT RATING: 4A @125VAC/28VDC, 2A @250VAC
 5. DIELECTRIC STRENGTH: 1500VAC-1 min.
 6. ELECTRICAL LIFE: 10,000 make-and-break cycles at full load.
 7. MATERIALS:
CONTACTS: Silver Plated CU (Q Contact material)
TERMINALS: Silver Plated Cu (Q Contact material)
MOUNTING NUT: Nickel Plated zinc alloy
CONTACT SPRING: Piano Wire
KEYS: (QTY. 2) Brass with code no. A126
LOCK: Bright Ni plated zinc alloy with Ni facing
TUMBLER Mechanism: 4-disc tumbler cylinder.
 8. 2002/95/EC (ROHS) COMPLIANT



CIRCUIT: DP (45° INDEXING)
CONTACT CONFIGURATION

| SWITCH FUNCTION | | | |
|----------------------|---------|---------|---------|
| CONNECTED TERMINAL # | POS. 1 | POS. 2 | POS. 3 |
| | 8-1,4-5 | 1-2,5-6 | 8-7,3-4 |



- LEGEND
- =Detent Positions (45°)
 - ⊙ =Key pull possible in these positions
 - ▲ =MOMENTARY POS.

| REV. | ECN No. | DESCRIPTION | DATE | CHKD |
|------|---------|----------------------------|----------|------|
| D | 19509 | CHANGED THREAD DESCRIPTION | 12/08/10 | BGL |
| C | 16963 | FIXED SWITCH FUNCTION | 2/5/07 | TN |
| B | 15031 | UPDATED DRAWING | 6/24/05 | JB |
| A | 11566 | RELEASED FOR PRODUCTION | 7/12/01 | CJB |

| TITLE | | SCALE | DATE | DR | DWG | REV |
|-------------|--|-------|----------|----|---------|-----|
| K0129D-A126 | | 1:1 | 2/5/2007 | TN | K200308 | D |



THE INFORMATION CONTAINED IN THIS DOCUMENT IS PROPRIETARY TO E-SWITCH AND IS NOT TO BE COPIED OR TRANSFERRED