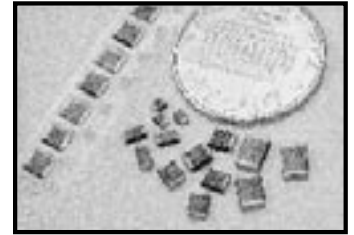


FEATURES

- RUGGED CONSTRUCTION IN STANDARD EIA SIZES
- EFFECTIVE EM/RFI SUPPRESSION UP TO 1 Ghz
- CURRENT RATINGS UP TO 5 AMPS (STYLE 2)
- HIGH IMPEDANCE OVER A WIDE FREQUENCY RANGE
- COMPATIBLE WITH AUTOMATIC PICK AND PLACE EQUIPMENT
- BOTH FLOW AND REFLOW SOLDERING APPLICABLE
- OPERATING TEMPERATURE RANGE: -40°C TO +125°C

**RoHS
Compliant**

*See Part Number System for Details



STANDARD VALUES AND CASE SIZES (mm)

EIA Size	NIC Part Number	Impedance at 100MHz Ω ($\pm 25\%$ Tol.)	DC Resistance Max. (Ω)	DC Current Max. (mA)	Style Code	A (mm)	B (mm)	C (mm)	D (mm)
0402	NMC0402P060TR	6	0.05	500	1	1.0 \pm 0.5	0.50 \pm 0.15	0.5 \pm 0.15	0.25 \pm 0.15
	NMC0402P100TR	10	0.05	500					
	NMC0402P400TR	40	0.3	300					
	NMC0402P600TR	60	0.25	300					
	NMC0402P800TR	80	0.4	200					
	NMC0402P121TR	120	0.5	200					
	NMC0402P151TR	151	0.5	200					
	NMC0402P221TR	220	0.4	100					
	NMC0402P241TR	240	0.5	200					
	NMC0402P301TR	300	0.5	100					
	NMC0402P481TR	480	0.8	100					
NMC0402P601TR	600	1.0	100						
0603	NMC0603R300TR	30	0.2	200	1	1.6 \pm 0.2	0.8 \pm 0.15	0.8 \pm 0.15	0.4 \pm 0.2
	NMC0603R600TR	60	0.25	400					
	NMC0603R800TR	80	0.3	200					
	NMC0603R121TR	120	0.3	200					
	NMC0603R141TR	140	0.3	200					
	NMC0603R221TR	220	0.5	100					
	NMC0603R301TR	300	0.6	100					
	NMC0603R451TR	450	0.7	100					
	NMC0603R471TR	470	0.5	200					
	NMC0603R601TR	600	0.8	100					
	NMC0603R751TR	750	0.7	200					
NMC0603R152TR	1500	0.85	100						
0805	NMC0805A110TR	11	0.1	600	1	2.0 \pm 0.2	1.25 \pm 0.2	0.9 \pm 0.2	0.5 \pm 0.3
	NMC0805A170TR	17	0.1	500					
	NMC0805A320TR	32	0.3	500					
	NMC0805A600TR	60	0.15	500					
	NMC0805A800TR	80	0.4	400					
	NMC0805A900TR	90	0.1	600					
	NMC0805A121TR	120	0.4	200					
	NMC0805A151TR	150	0.5	200					
	NMC0805A221TR	220	0.6	200					
	NMC0805A301TR	300	0.9	200					
	NMC0805A401TR	400	0.9	200					
	NMC0805A601TR	600	1	200					
	NMC0805A102TR	1000	1	100					
NMC0805A222TR	2200	0.75	100						

For Impedance (Z) over Frequency curves
see www.RFpassives.com

STANDARD VALUES AND CASE SIZES (mm)

EIA Size	NIC P/N	Impedance at 100MHz Ω ($\pm 25\%$ Tol.)	DC Resistance Max. (Ω)	DC Current Max. (mA)	Style Code	A (mm)	B (mm)	C (mm)	D (mm)
1206	NCB1206B190TR	19	0.15	500	1	3.2 ± 0.2	1.6 ± 0.2	1.1 ± 0.2	0.5 ± 0.3
	NCB1206B260TR	26	0.15	500					
	NCB1206B320TR	32	0.15	500					
	NCB1206B500TR	50	0.2	400					
	NCB1206B600TR	60	0.2	400					
	NCB1206B700TR	70	0.3	400					
	NCB1206B900TR	90	0.3	400					
	NCB1206B121TR	120	0.4	400					
	NCB1206B151TR	150	0.5	200					
	NCB1206B201TR	200	0.5	200					
	NCB1206B401TR	400	0.5	200					
	NCB1206B501TR	500	0.5	200					
	NCB1206B601TR	600	0.5	200					
	NCB1206B122TR	1200	1	100					
	NCB1206B202TR	2000	1.5	100					
NCB1206E600TR	60	0.5	200	1.6 ± 0.2					
NCB1206E700TR	70	0.5	200						
1210	NCB1210C320TR	32	0.3	400	1	3.2 ± 0.2	2.5 ± 0.2	1.3 ± 0.2	0.5 ± 0.3
	NCB1210C600TR	60	0.3	400					
	NCB1210C800TR	80	0.3	400					
	NCB1210C900TR	90	0.3	400					
	NCB1210C202TR	2000	1.5	100					
1806	NCB1806E600TR	60	0.3	400	1	4.5 ± 0.25	1.6 ± 0.2	1.6 ± 0.2	0.5 ± 0.3
	NCB1806E800TR	80	0.3	400					
	NCB1806E101TR	100	0.4	300					
	NCB1806E151TR	150	0.5	200					
1812	NCB1812D700TR	70	0.4	300	1	4.5 ± 0.25	3.2 ± 0.2	1.5 ± 0.2	0.5 ± 0.3
	NCB1812D800TR	80	0.4	300					
	NCB1812D121TR	120	0.3	500					

For Impedance (**Z**) over Frequency curves see www.RFpassives.com

FEATURES

- STANDARD EIA 0603 ~ 1812 CASE SIZES
- EFFECTIVE EM/RFI SUPPRESSION UP TO 1 GHz
- CURRENT RATINGS UP TO 6 AMPS
- HIGH IMPEDANCE OVER A WIDE FREQUENCY RANGE *See Part Number System for Details
- COMPATIBLE WITH AUTOMATIC PICK AND PLACE EQUIPMENT
- BOTH FLOW AND REFLOW SOLDERING APPLICABLE

**RoHS
Compliant**



OPERATING TEMPERATURE RANGE: -40°C TO +125°C*

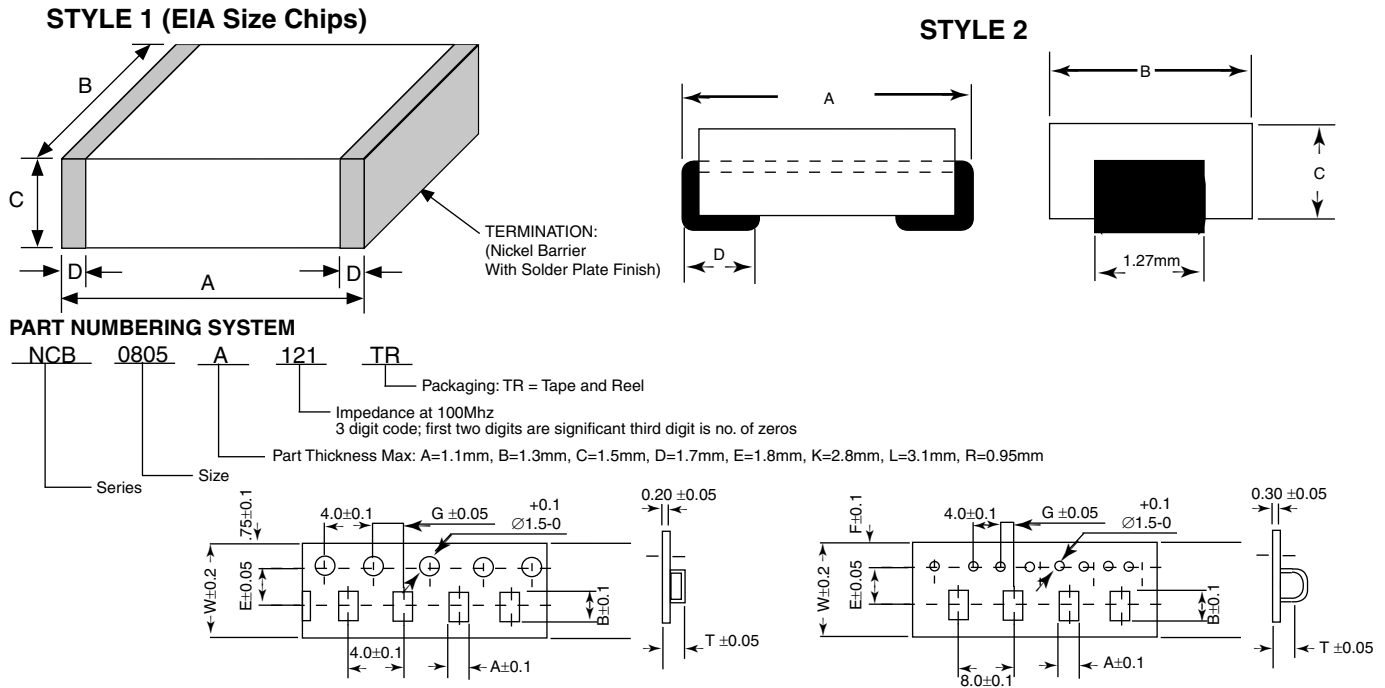
EIA Size	NIC P/N	Impedance at 100MHz Ω ($\pm 25\%$ Tol.)	DC Resistance Max. (Ω)	DC Current Max. (mA)	Style Code	A (mm)	B (mm)	C (mm)	D (mm)
0603	NCB-H0603R100TR	10	0.020	4000	1	1.6 \pm 0.2	0.8 \pm 0.15	0.8 \pm 0.15	0.4 \pm 0.2
	NCB-H0603R270TR	27	0.030	4000					
	NCB-H0603R300TR	30	0.035	3000					
	NCB-H0603R500TR	50	0.040	2500					
	NCB-H0603R680TR	68	0.100	1000					
	NCB-H0603R101TR	100	0.100	2000					
	NCB-H0603R121TR	120	0.100	2000					
	NCB-H0603R151TR	150	0.100	2000					
	NCB-H0603R221TR	220	0.100	2000					
	NCB-H0603R301TR	300	0.200	1000					
	NCB-H0603R471TR	470	0.200	1000					
NCB-H0603R601TR	600	0.200	1000						
0805	NCB-H0805A300TR	30	0.020	4000	1	2.0 \pm 0.2	1/25 \pm 0.2	0.9 \pm 0.2	0.5 \pm 0.3
	NCB-H0805A600TR	60	0.025	3000					
	NCB-H0805A800TR	80	0.040	3000					
	NCB-H0805A121TR	120	0.100	2000					
	NCB-H0805A151TR	150	0.100	2000					
	NCB-H0805A221TR	220	0.100	2000					
	NCB-H0805A301TR	300	0.200	1000					
	NCB-H0805A471TR	470	0.200	1000					
NCB-H0805A601TR	600	0.200	1000						
1206	NCB-H1206B320TR	32	0.020	5000	1	3.2 \pm 0.2	1.6 \pm 0.2	1.1 \pm 0.2	0.5 \pm 0.3
	NCB-H1206B500TR	50	0.020	4000					
	NCB-H1206B680TR	68	0.012	3000					
	NCB-H1206B800TR	80	0.040	3000					
	NCB-H1206B121TR	120	0.100	2000					
	NCB-H1206B151TR	150	0.100	2000					
	NCB-H1206B301TR	300	0.200	1000					
	NCB-H1206B471TR	470	0.200	1000					
	NCB-H1206B501TR	500	0.040	3000					
	NCB-H1206B601TR	600	0.100	2000					
1806	NCB-H1805E600TR	60	0.010	6000	1	4.5 \pm 0.25	1.6 \pm 0.2	1.6 \pm 0.2	0.5 \pm 0.3
	NCB-H1805E800TR	80	0.040	3000					
1812	NCB-H1812D800TR	80	0.010	6000	1	4.5 \pm 0.25	3.2 \pm 0.2	1.5 \pm 0.2	0.5 \pm 0.3
	NCB-H1812D125TR	125	0.050	1500					
	NCB-H1812D151TR	150	0.020	5000					
	NCB-H1812D681TR	680	0.030	4000					
	NCB-H1812D132TR	1300	0.060	3000					
1612	NCB1612K480TR	48	0.001	5000	2*	4.2 \pm 0.4	3.1 \pm 0.2	2.6 \pm 0.2	1.3 \pm 0.3
3312	NCB3312K900TR	90	0.001	5000		8.6 \pm 0.4	3.2 \pm 0.3	2.6 \pm 0.2	1.3 \pm 0.3
3119	NCB3119L950TR	95	0.001	5000		7.8 \pm 0.4	4.7 \pm 0.3	2.9 \pm 0.2	1.3 \pm 0.3

Note: Other values and case sizes available.

*STYLE 2 TYPES, TEMPERATURE RANGE -25°C ~ +85°C

For Impedance (Z) over Frequency curves see www.RFpassives.com





TAPE DIMENSIONS (mm)

Dimensions	NCB0603R	NCB0805A	NCB1206B	NCB1206E	NCB1210C	NCB1806E	NCB1812D	NCB1612K	NCB3312K	NCB3119L
A	1.14	1.54	1.94	1.94	2.80	1.94	3.64	3.65	3.45	5.25
B	1.75	2.32	3.54	3.64	3.42	4.94	4.94	5.40	9.30	8.75
T	1.15	1.15	1.29	1.90	1.64	1.90	1.80	3.05	3.05	3.70
W	8.0	8.0	8.0	8.0	8.0	12.0	12.0	12.0	16.0	16.0
E	3.5	3.5	3.5	3.5	3.5	5.5	5.5	5.5	7.5	8.0
F	1.75	1.75	1.75	1.75	1.75	1.75	1.75	1.75	2.0	2.0
G	2.0	2.0	2.0	2.0	2.0	2.0	2.0	2.0	4.0	4.0
Chips/Reel	4000	4000	3000	2000	2500	2000	1000	500	500	500
Fig.	1	1	1	1	1	1	2	2	2	2

DIMENSIONS (mm)

Size	A	B	C
0603	1.0	0.6	0.8
0805	1.0	1.2	1.2
1206	1.00	1.80	2.00
1210	1.00	2.70	2.00
1806	1.05	1.80	3.30
1812	1.05	3.50	3.30
1612	1.70	2.00	2.20
3312	1.70	2.00	6.60
3119	1.70	2.00	5.80

REEL DIMENSIONS

Dim	Size: 0603, 0805, 1206, 1210	Size: 1806, 1812, 1612	Size: 3312, 3319
A	178 ± 2	178 ± 2	178 ± 2
B	60 ± 1	60 ± 1	60 ± 1
C	13.0 ± 0.5	13.0 ± 0.5	13.0 ± 0.5
D	21.0 ± 0.8	21.0 ± 0.8	21.0 ± 0.8
E	2.0 ± 0.5	2.0 ± 0.5	2.0 ± 0.5
W	10.0 ± 1.0	14.0 ± 1.0	18.0 ± 1.0
t	2.0 ± 0.5	2.0 ± 0.5	2.0 ± 0.5
R	1.0	1.0	1.0

RECOMMENDED LAND PATTERN (mm)

