

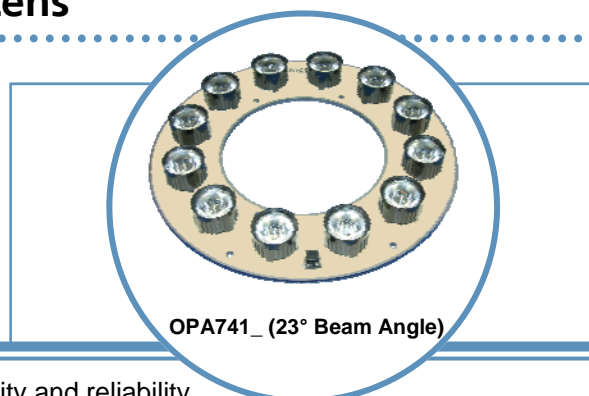
# OPA741 Series

## 12 Watt Light Ring on Another Linear Heat Spreader with Lens



### OPA741 Series

- 12, 1 watt LEDs per cylindrical substrate
- Mono-color per strip (Blue, Green, Red, Yellow, White)
- Component beam angle 23°
- Universal connector (Tyco 2-292173-2 mates with 173977-2)
- RoHS Compliant

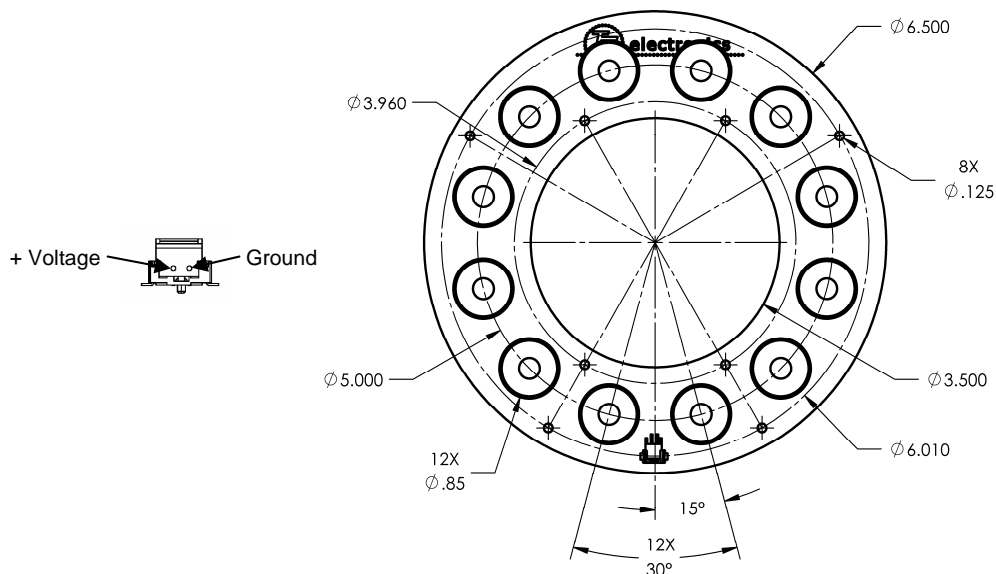


The **OPA741** Series are designed for areas where lighting intensity and reliability are essential. The light beam angle of 23° is ideal for illuminating areas close or a long distances from the device while requiring minimal space. A patented substrate is used to ensure the best heat dissipation of any light assembly in the industry.

For custom colors and design contact your OPTEK representative.

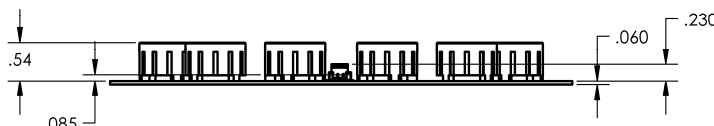
### Electrical / Optical Characteristics: $T_A=25^\circ\text{C}$ , $I_F=700\text{mA}$

Part Number	Typical Forward Voltage (V)	Luminous Flux (lm)	Beam Angle	Color	Dominant Wavelength
OPA741Y23	15.0	357	23°	Yellow	587 nm
OPA741B23	21.6	92		Blue	470 nm
OPA741G23	21.6	490		Green	530 nm
OPA741R23	15.0	265		Red	625 nm
OPA741W23	21.6	490		White	6,500°K



### OPA741\_

See OVSP\_BCR4 for component specifications



**DO NOT LOOK DIRECTLY AT LED WITH UNSHIELDED EYES OR DAMAGE TO RETINA MAY OCCUR.**

OPTEK reserves the right to make changes at any time in order to improve design and to supply the best product possible.