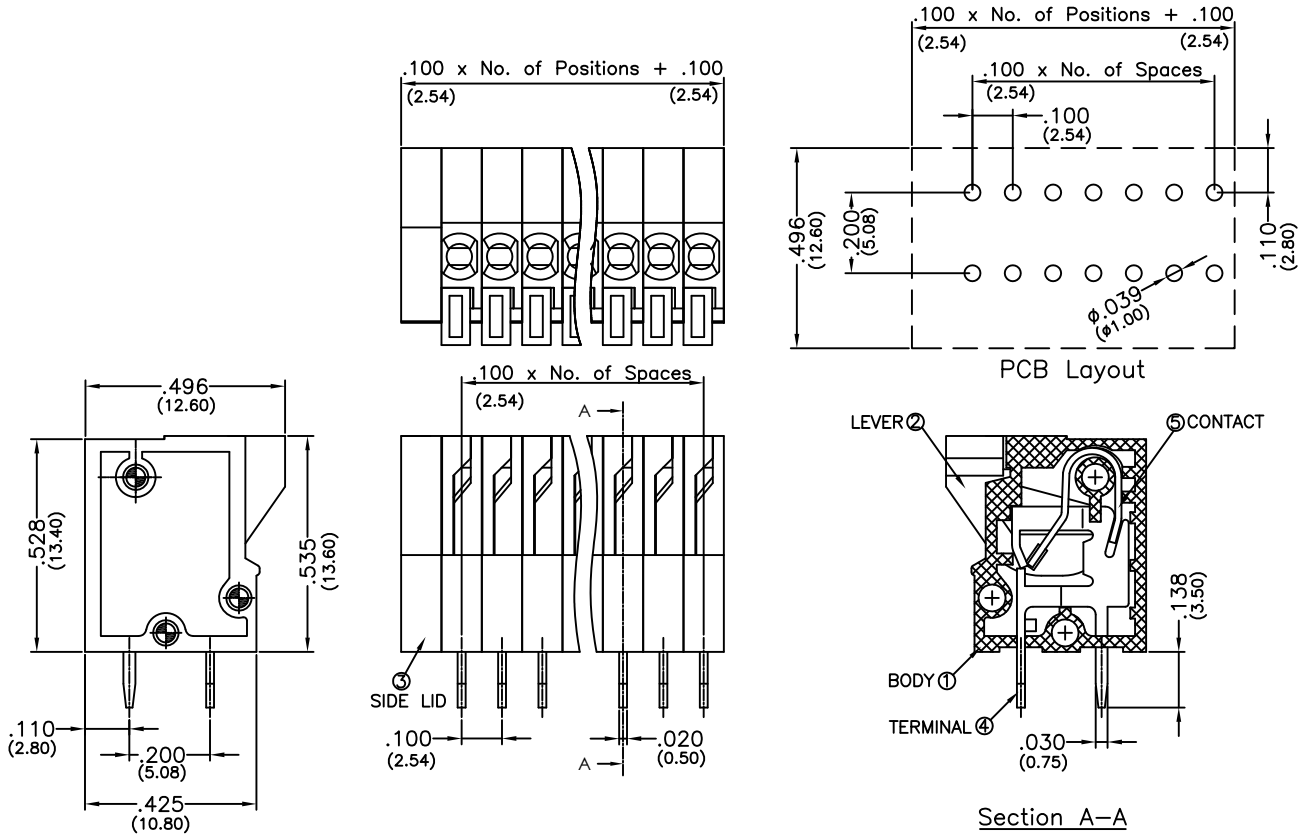


# Major League Electronics .100 cl Screwless Terminal Blocks



## Ordering Information

TBS-01-100-XX-XX-LF Lead Free

Pitch  
100 = .100 (2.54) cl

No. of Positions  
02 - 12

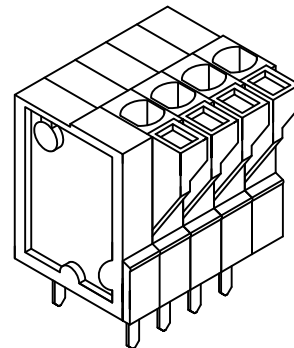
- Color
- GR = Green (Standard)
  - BK = Black
  - BL = Blue
  - WH = White
  - GY = Grey
  - OR = Orange
  - YW = Yellow
  - RD = Red
  - BR = Brown

### Specifications

- Current Rating: 2 Ampere
- Voltage Rating: AC 150V
- Wire Range: 20-26 AWG
- Dielectric Withstanding Voltage: AC 2000V/1 minute
- Insulation Resistance: DC 500V 500MΩ
- Operating Temperature: -33°C to + 105°C
- Strip Length: .354-.394 (9-10mm)

### Materials

1. Body: PA66 (Nylon), UL94 V-0
2. Lever: PA66 (Nylon), UL94 V-0
3. Side Lid: PA66 (Nylon), UL94 V-0
4. Terminal: H65 Brass, Tin Plated
5. Contact: SUS301 Stainless Steel



Parts are subject to change without notice

TBS-01-100-XX-XX-LF

.100cl Screwless Terminal Block  
Interlock

20 NOV 08

Scale  
NTS

UNLESS OTHERWISE SPECIFIED  
DIMENSIONS IN INCHES (MM)  
TOLERANCES IN INCHES:

ONE DECIMAL PLACE ±0.30  
TWO DECIMAL PLACE ±0.20  
THREE DECIMAL PLACE ±0.15  
FOUR DECIMAL PLACE ±0.10



4235 Earnings Way, New Albany, Indiana, 47150, USA  
1-800-782-3486 (USA/Canada/Mexico)  
Tel: 812-944-7244  
Fax: 812-944-7268  
E-mail: mle@mlelectronics.com  
Web: www.mlelectronics.com

Revision  
C

Sheet  
1/2


## Revisions

Revision B - (27th Mar 2009)

Amendment to PCB hole diameter from .047 (1.20) to .039 (1.00)

Revision C - (23rd Mar 2010)

Top view added

	TBS-01-100-XX-XX-LF	.100cl Screwless Terminal Block Interlock	20 NOV 08	Scale NTS
<small>UNLESS OTHERWISE SPECIFIED DIMENSIONS IN INCHES (MM) TOLERANCES IN INCHES:</small>  <small>ONE DECIMAL PLACE ±0.30 TWO DECIMAL PLACE ±0.20 THREE DECIMAL PLACE ±0.15 FOUR DECIMAL PLACE ±0.10</small>		4235 Earnings Way, New Albany, Indiana, 47150, USA 1-800-782-3486 (USA/Canada/Mexico) Tel: 812-944-7244 Fax: 812-944-7268 E-mail: mle@mlelectronics.com Web: www.mlelectronics.com	Revision C	
			Sheet 2/2	