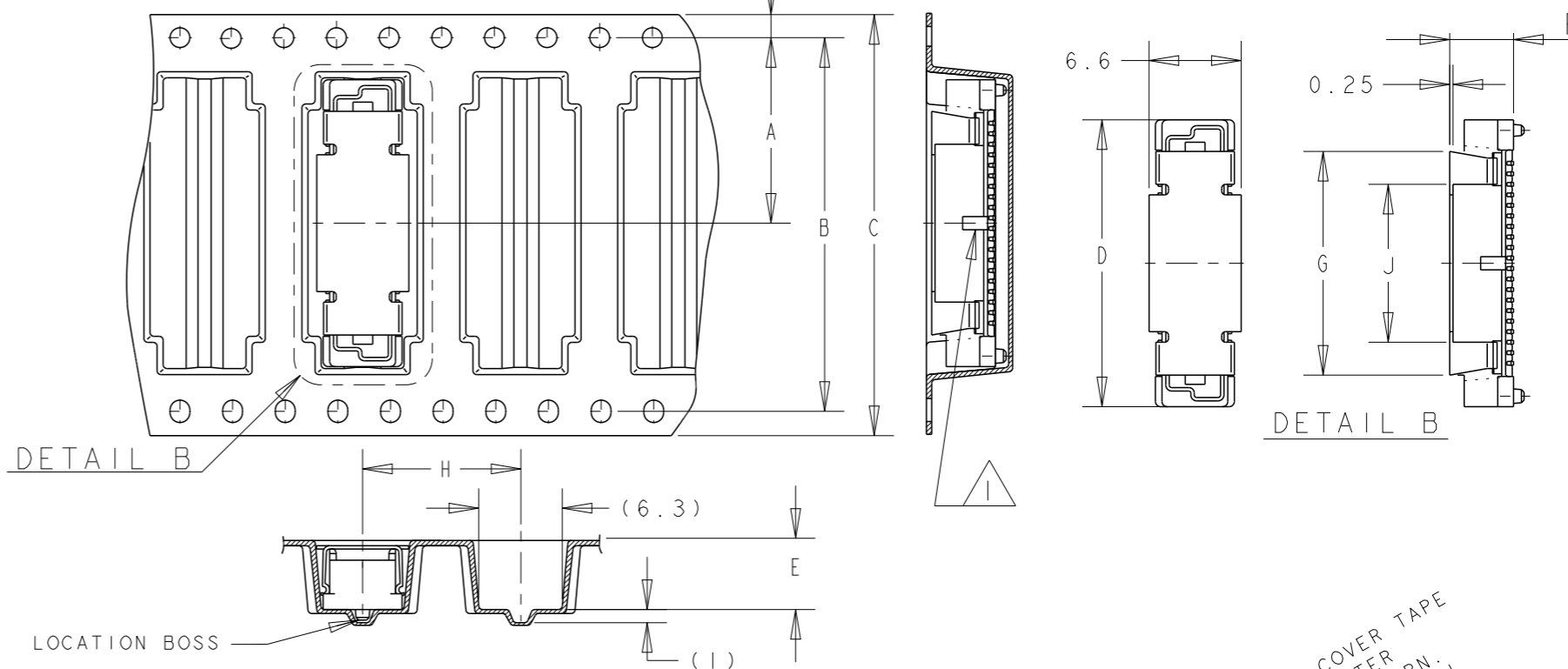


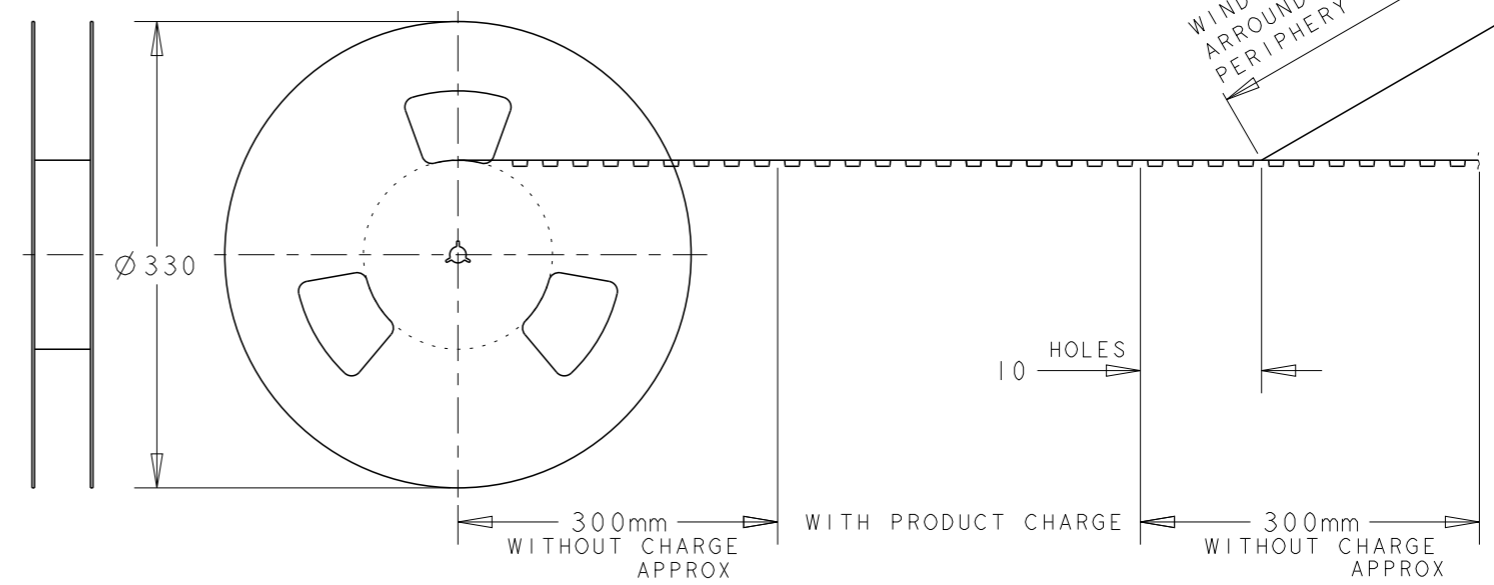
Notes:

- 1 CUTOUT FEATURE AVAILABLE ONLY ON 5H ASSY P/N -1 (40P) AND -2 (60P).
- 2 0.00038 MIN GOLD PLATING (15u INCHES GOLD PLATING)

DIRECTION OFF TOP OF REEL



QTY	HEIGHT TYPE	J	H	G	F	E	D	C	B	A	POS	CONN	P/N	PART NO.		
0.00076 MIN GOLD PLATING (30u INCHES GOLD PLATING)	450	16	7H	12	6.85	7.25	61.8	88	84.4	42.2	140	1-	-6	7-	-6	
							53.8				120	1-	-5	7-	-5	
							45.8	72	68.4	34.2	100	1-	-4	7-	-4	
	700	12	7H	12	6.85	7.25	29.8	44	40.4	20.2	60	1-	-2	7-	-2	
							21.8	32	28.4	14.2	40	1-	-2	7-	-2	
							69.8				160		-8	6-	-8	
	550	16	12	7H	6.85	7.25	61.8	88	84.4	42.2	140		-6	6-	-6	
							53.8				120		-5	6-	-5	
							45.8	72	68.4	34.2	100		-4	6-	-4	
	800	12	6H	12	5.85	6.25	37.8	56	52.4	26.2	80		-3	6-	-3	
							29.8	44	40.4	20.2	60		-2	6-	-2	
							85.8	104	100.4	50.2	200	1-	-0	5-	-0	
0.00076 MIN GOLD PLATING (30u INCHES GOLD PLATING)	650	16	7H	12	6.85	7.25	61.8	88	84.4	42.2	140		-6	5-	-6	
							53.8				120		-5	5-	-5	
							45.8	72	68.4	34.2	100		-4	5-	-4	
	900	12	5H	12	17	4.85	5.25	29.8	44	40.4	20.2	60		-2	5-	-2
								21.8	32	28.4	14.2	40	5084614-1	5-5177986-1		
								85.8				200		-0	4-	-0
	0.0002 MIN GOLD PLATING (7.8u INCHES GOLD PLATING)	450	16	7H	12	6.85	7.25	77.8	104	100.4	50.2	180	1-	-0	4-	-0
								69.8				160		-8	3-	-8
								61.8	88	84.4	42.2	140		-6	3-	-6
		400	16	12	7H	6.85	7.25	53.8				120		-5	3-	-5
								45.8	72	68.4	34.2	100		-4	3-	-4
								37.8	56	52.4	26.2	80		-3	3-	-3
600		12	8H	12	7.85	8.25	29.8	44	40.4	20.2	60		-2	3-	-2	
							21.8	32	28.4	14.2	40	5179031-1	3-5177986-1			
							85.8				200	1-	-0	3-	-0	
0.0002 MIN GOLD PLATING (7.8u INCHES GOLD PLATING)		450	16	7H	12	6.85	7.25	77.8	104	100.4	50.2	180		-9	2-	-9
								69.8				160		-8	2-	-8
								61.8	88	84.4	42.2	140		-6	2-	-6
	700	12	7H	12	6.85	7.25	53.8				120		-5	2-	-5	
							45.8	72	68.4	34.2	100		-4	2-	-4	
							37.8	56	52.4	26.2	80		-3	2-	-3	
	550	16	12	7H	6.85	7.25	29.8	44	40.4	20.2	60		-2	2-	-2	
							21.8	32	28.4	14.2	40	5179030-1	2-5177986-1			
							61.8	88	84.4	42.2	140		-6	1-	-6	
	0.0002 MIN GOLD PLATING (7.8u INCHES GOLD PLATING)	650	16	12	7H	6.85	7.25	53.8				120		-5	1-	-5
								45.8	72	68.4	34.2	100		-4	1-	-4
								37.8	56	52.4	26.2	80		-3	1-	-3
900		12	5H	12	17	4.85	5.25	29.8	44	40.4	20.2	60		-2	1-	-2
								21.8	32	28.4	14.2	40	5179029-1	1-5177986-1		
								69.8				160		-8		-8



THIS DRAWING IS A CONTROLLED DOCUMENT.

DWN: FLORENCE TAN 30AUG04
 CHK: ERIC TNG 30MAY2012
 APVD: SF LEONG 30MAY2012

TE Connectivity

NAME: PLUG ASSEMBLY (0.5 BOSS LENGTH) FOR FH 0.8 B-T-B CONN. ON TAPING

PRODUCT SPEC: 108-5390
 APPLICATION SPEC: 114-5254

SIZE: A3 CAGE CODE: 00779 DRAWING NO: C-5177986 RESTRICTED TO: -

MATERIAL: - FINISH: - WEIGHT: -

CUSTOMER DRAWING SCALE: 2:1 SHEET 1 OF 1 REV: E2