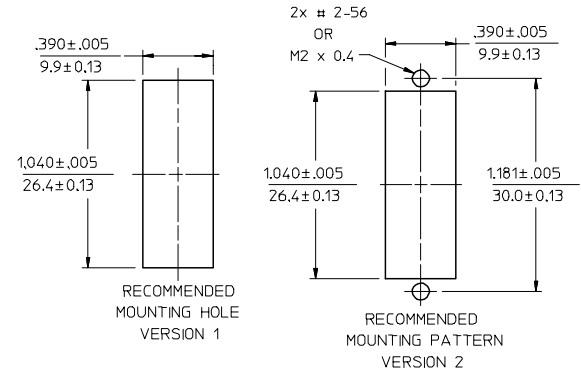
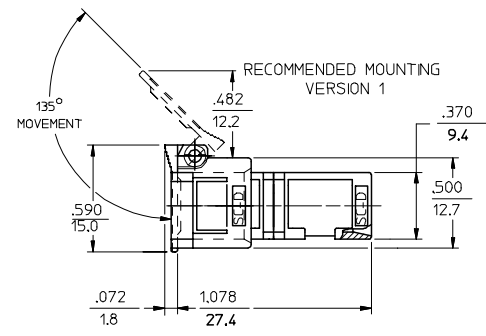
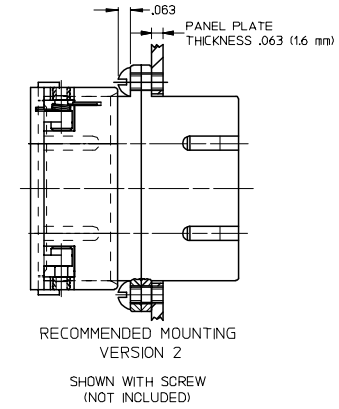
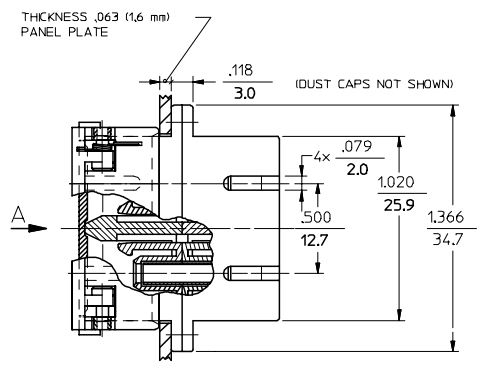
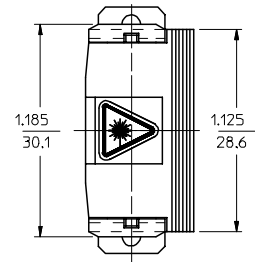


| P/N OF ADAPTER | MATERIAL OF SLEEVE | TYPE        | COLOR |
|----------------|--------------------|-------------|-------|
| 106166-0500    | ZR                 | SINGLE MODE | BLUE  |
| 106167-0500    | PHOSPHOR BRONZE    |             |       |
| 106166-0510    | ZR                 | MULTIMODE   | BEIGE |
| 106167-0510    | PHOSPHOR BRONZE    |             |       |
| 106167-0710    | PHOSPHOR BRONZE    |             |       |
| 106166-0530    | ZR                 |             | BLACK |
| 106167-0530    | PHOSPHOR BRONZE    |             |       |
| 106166-0540    | ZR                 | SINGLE MODE | RED   |
| 106167-0540    | PHOSPHOR BRONZE    | APC         | GREEN |
| 106166-0550    | ZR                 |             |       |
| 106167-0550    | PHOSPHOR BRONZE    |             |       |



NOTES:  
1. LABEL MUST BE INSTALLED AND ORIENTED BY CUSTOMER. (SEE VIEW A)  
2. DUST CAPS ARE NOT SHOWN BUT INCLUDED.

|  |                               |   |            |                           |                                |   |                      |                        |  |
|--|-------------------------------|---|------------|---------------------------|--------------------------------|---|----------------------|------------------------|--|
| ENTER DESCRIPTION<br>FC NO: MF2006-0237<br>DRAWN: PGBLIN 2005/11/29<br>CHKD: 2005/11/29<br>APPR: JGUMIN 2005/11/29<br>REVISIONS<br>A | QUALITY SYMBOLS<br>▽=0<br>▽=0 | GENERAL TOLERANCES (UNLESS SPECIFIED)   |            | DIMENSION STYLE<br>IN/MM  |                                | SCALE<br>4:1                                  | DESIGN UNITS<br>INCH | THIRD ANGLE PROJECTION |  |
|  |                               | 4 PLACES ± --- ± ---<br>3 PLACES ± --- ± ---<br>2 PLACES ± --- ± ---<br>1 PLACE ± --- ± --- | mm<br>INCH | DRAWN BY<br>RPACIFICI     | DATE<br>2005/10/11             | TITLE<br>SC DUPLEX ADAPTER WITH SHIELD (SC-D) |                      |                        |  |
|  |                               | ANGULAR ±1/2°   |            | CHECKED BY                | DATE                           | APPROVED BY                                   |                      |                        |  |
|  |                               | DRAFT WHERE APPLICABLE MUST REMAIN WITHIN DIMENSIONS  |            | MATERIAL NO.<br>SEE TABLE | DOCUMENT NO.<br>SD-10616X-05X0 | MOLEX INCORPORATED                            |                      | SHEET NO.<br>1 OF 1    |  |

THIS DRAWING CONTAINS INFORMATION THAT IS PROPRIETARY TO MOLEX INCORPORATED AND SHOULD NOT BE USED WITHOUT WRITTEN PERMISSION