

# TK 77 – Polystyrene and Polycarbonate – 65x65mm (2.56x2.56in.)

## Standard Features

- **Protection Level:** IP66 (NEMA Type: 4X with gray cover, 12K with transparent cover)
- **Technical:** Smooth or Knockout Sidewalls  
Gray or Tinted Transparent Cover  
Multiple Enclosure Mounting Options
- **Enclosure Material:** Polystyrene or Polycarbonate
- **Gasket Material:** Polyurethane
- **Color:** Light Gray
- **Temperature Range:** Polystyrene  
-40°C to 70°C (-40°F to 158°F)  
Polycarbonate  
-35°C to 120°C (-31°F to 248°F)
- **Accessories:** See section below



## Smooth Sidewalls

Ordering Information		Height mm (in)	Polystyrene				Polycarbonate <sup>1</sup>			
			Cat. No.	Type	Cover Color	Std. Pk.	Cat. No.	Type	Cover Color	Std. Pk.
<input type="checkbox"/>	Enclosure - low cover	57 mm (2.24 in)	110-401	PS 77-6-o	gray	5	120-401	PC 77-6-o	gray	5
<input type="checkbox"/>	Enclosure - high cover	81 mm (3.19 in)	110-901	PS 77-8-o	gray	5	120-901	PC 77-8-o	gray	5
<input type="checkbox"/>	Enclosure - low cover	57 mm (2.24 in)	111-001	PS 77-6-to	trans.	5	130-001	PC 77-6-to	trans.	5
<input type="checkbox"/>	Enclosure - high cover	81 mm (3.19 in)	111-501	PS 77-8-to	trans.	5	130-501	PC 77-8-to	trans.	5

## Sidewalls with Metric Knockouts

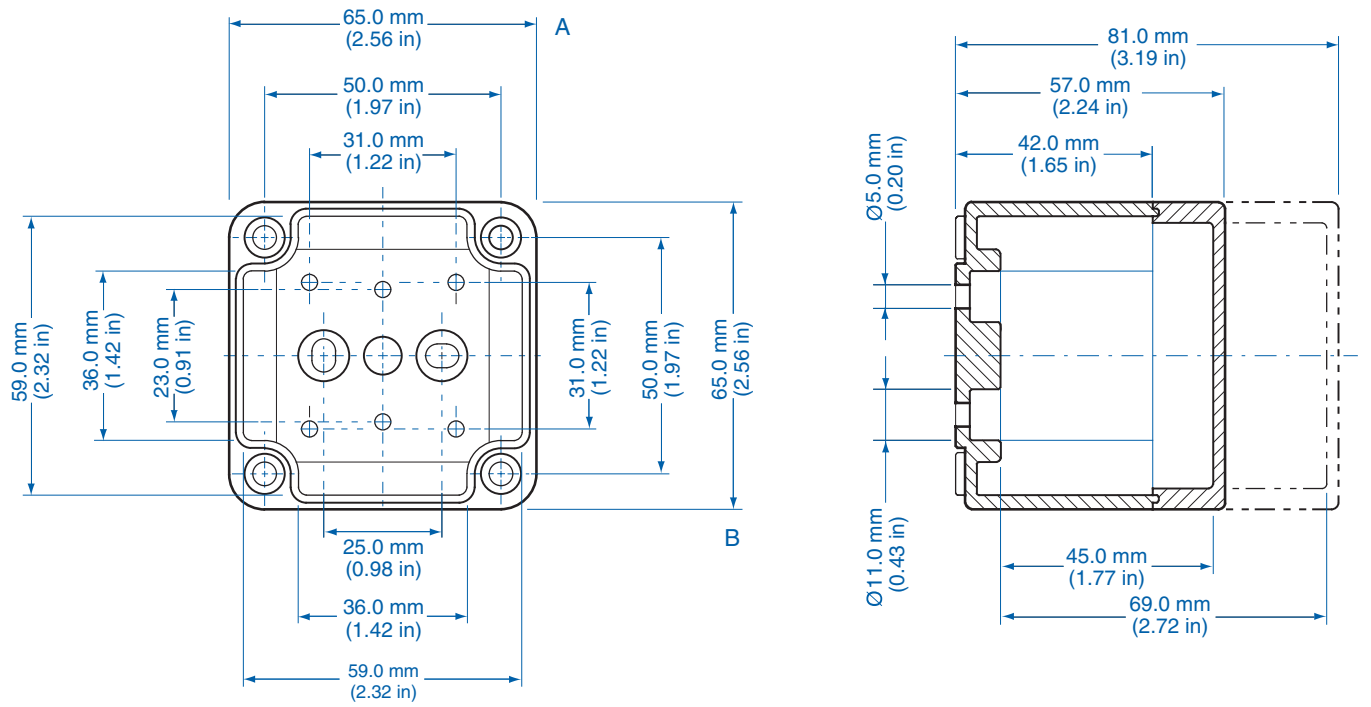
Ordering Information		Height mm (in)	Polystyrene				Polycarbonate <sup>1</sup>			
			Cat. No.	Type	Cover Color	Std. Pk.	Cat. No.	Type	Cover Color	Std. Pk.
<input type="checkbox"/>	Enclosure - low cover	57 mm (2.24 in)	105-401	PS 77-6-m	gray	5	127-401	PC 77-6-m	gray	5
<input type="checkbox"/>	Enclosure - high cover	81 mm (3.19 in)	105-901	PS 77-8-m	gray	5	127-901	PC 77-8-m	gray	5
<input type="checkbox"/>	Enclosure - low cover	57 mm (2.24 in)	106-001	PS 77-6-tm	trans.	5	137-001	PC 77-6-tm	trans.	5
<input type="checkbox"/>	Enclosure - high cover	81 mm (3.19 in)	106-501	PS 77-8-tm	trans.	5	137-501	PC 77-8-tm	trans.	5

## Accessories

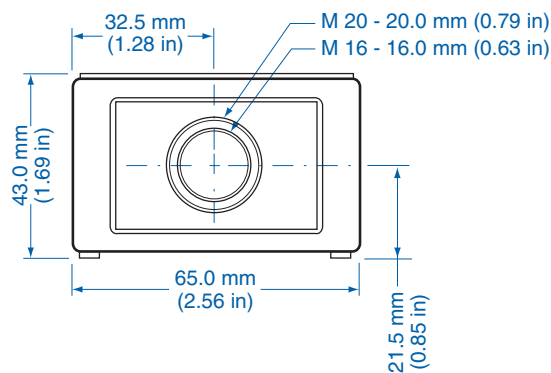
Ordering Information	Cat. No.	Type	Std. Pk.
Mounting Plate	195-001	MP77	1
DIN Rail TS15-49.5mm	197-049	TS 15/49.5	1
Hinge Kit Set	190-002	HK1	1
Mounting Tab Kit	194-001	MT1	1

Please refer to pages 116-120 for additional accessories and detailed information.

**Dimensions**



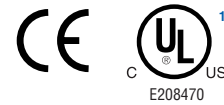
**Knockout Positions**  
(all 4 sides)



# TK 97 – Polystyrene and Polycarbonate – 94x65mm (3.70x2.56in.)

## Standard Features

- **Protection Level:** IP66 (NEMA Type: 4X with gray cover, 12K with transparent cover)
- **Technical:** Smooth or Knockout Sidewalls  
Gray or Tinted Transparent Cover  
Multiple Enclosure Mounting Options
- **Enclosure Material:** Polystyrene or Polycarbonate
- **Gasket Material:** Polyurethane
- **Color:** Light Gray
- **Temperature Range:** Polystyrene  
-40°C to 70°C (-40°F to 158°F)  
Polycarbonate  
-35°C to 120°C (-31°F to 248°F)
- **Accessories:** See section below



### Smooth Sidewalls

Ordering Information	Height mm (in)	Polystyrene				Polycarbonate <sup>1</sup>			
		Cat. No.	Type	Cover Color	Std. Pk.	Cat. No.	Type	Cover Color	Std. Pk.
Enclosure - low cover	57 mm (2.24 in)	110-402	PS 97-6-o	gray	5	120-402	PC 97-6-o	gray	5
Enclosure - high cover	81 mm (3.19 in)	110-902	PS 97-8-o	gray	5	120-902	PC 97-8-o	gray	5
Enclosure - low cover	57 mm (2.24 in)	111-002	PS 97-6-to	trans.	5	130-002	PC 97-6-to	trans.	5
Enclosure - high cover	81 mm (3.19 in)	111-502	PS 97-8-to	trans.	5	130-502	PC 97-8-to	trans.	5

### Sidewalls with Metric Knockouts

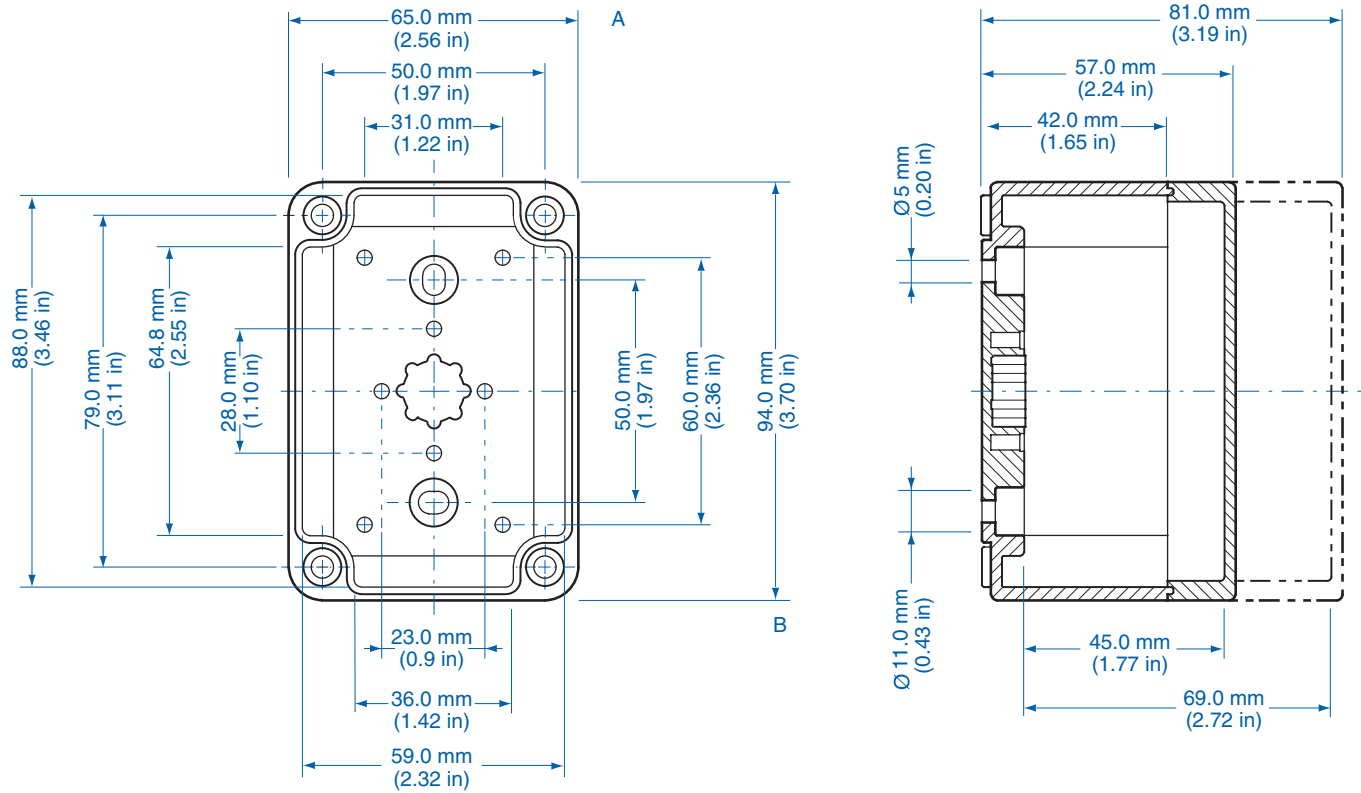
Ordering Information	Height mm (in)	Polystyrene				Polycarbonate <sup>1</sup>			
		Cat. No.	Type	Cover Color	Std. Pk.	Cat. No.	Type	Cover Color	Std. Pk.
Enclosure - low cover	57 mm (2.24 in)	105-402	PS 97-6-m	gray	5	127-402	PC 97-6-m	gray	5
Enclosure - high cover	81 mm (3.19 in)	105-902	PS 97-8-m	gray	5	127-902	PC 97-8-m	gray	5
Enclosure - low cover	57 mm (2.24 in)	106-002	PS 97-6-tm	trans.	5	137-002	PC 97-6-tm	trans.	5
Enclosure - high cover	81 mm (3.19 in)	106-502	PS 97-8-tm	trans.	5	137-502	PC 97-8-tm	trans.	5

### Accessories

Ordering Information	Cat. No.	Type	Std. Pk.
Mounting Plate	195-002	MP97	1
DIN Rail TS15-80mm	197-080	TS 15/80	1
Hinge Kit Set	190-002	HK1	1
Mounting Tab Kit	194-001	MT1	1

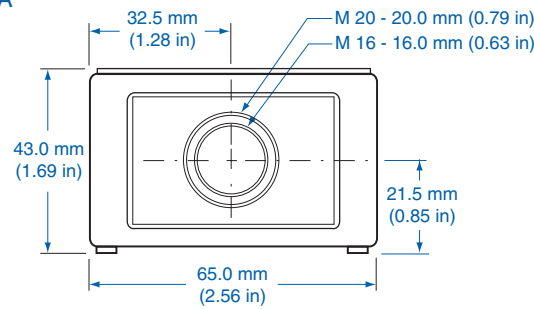
Please refer to pages 116-120 for additional accessories and detailed information.

Dimensions

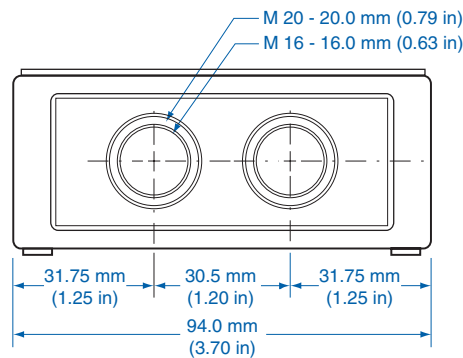


Knockout Positions

Side A



Side B



# TK 99 – Polystyrene and Polycarbonate – 94x94mm (3.70x3.70in.)

## Standard Features

- **Protection Level:** IP66 (NEMA Type: 4X with gray cover, 12K with transparent cover)
- **Technical:** Smooth or Knockout Sidewalls  
Gray or Tinted Transparent Cover  
Multiple Enclosure Mounting Options
- **Enclosure Material:** Polystyrene or Polycarbonate
- **Gasket Material:** Polyurethane
- **Color:** Light Gray
- **Temperature Range:** Polystyrene  
-40°C to 70°C (-40°F to 158°F)  
Polycarbonate  
-35°C to 120°C (-31°F to 248°F)
- **Accessories:** See section below



## Smooth Sidewalls

		Polystyrene					Polycarbonate <sup>1</sup>				
Ordering Information	Height mm (in)	Cat. No.	Type	Cover Color	Std. Pk.	Cat. No.	Type	Cover Color	Std. Pk.		
☐ Enclosure - low cover	57 mm (2.24 in)	110-403	PS 99-6-o	gray	4	120-403	PC 99-6-o	gray	4		
☐ Enclosure - high cover	81 mm (3.19 in)	110-903	PS 99-8-o	gray	3	120-903	PC 99-8-o	gray	3		
☐ Enclosure - low cover	57 mm (2.24 in)	111-003	PS 99-6-to	trans.	4	130-003	PC 99-6-to	trans.	4		
☐ Enclosure - high cover	81 mm (3.19 in)	111-503	PS 99-8-to	trans.	3	130-503	PC 99-8-to	trans.	3		

## Sidewalls with Metric Knockouts

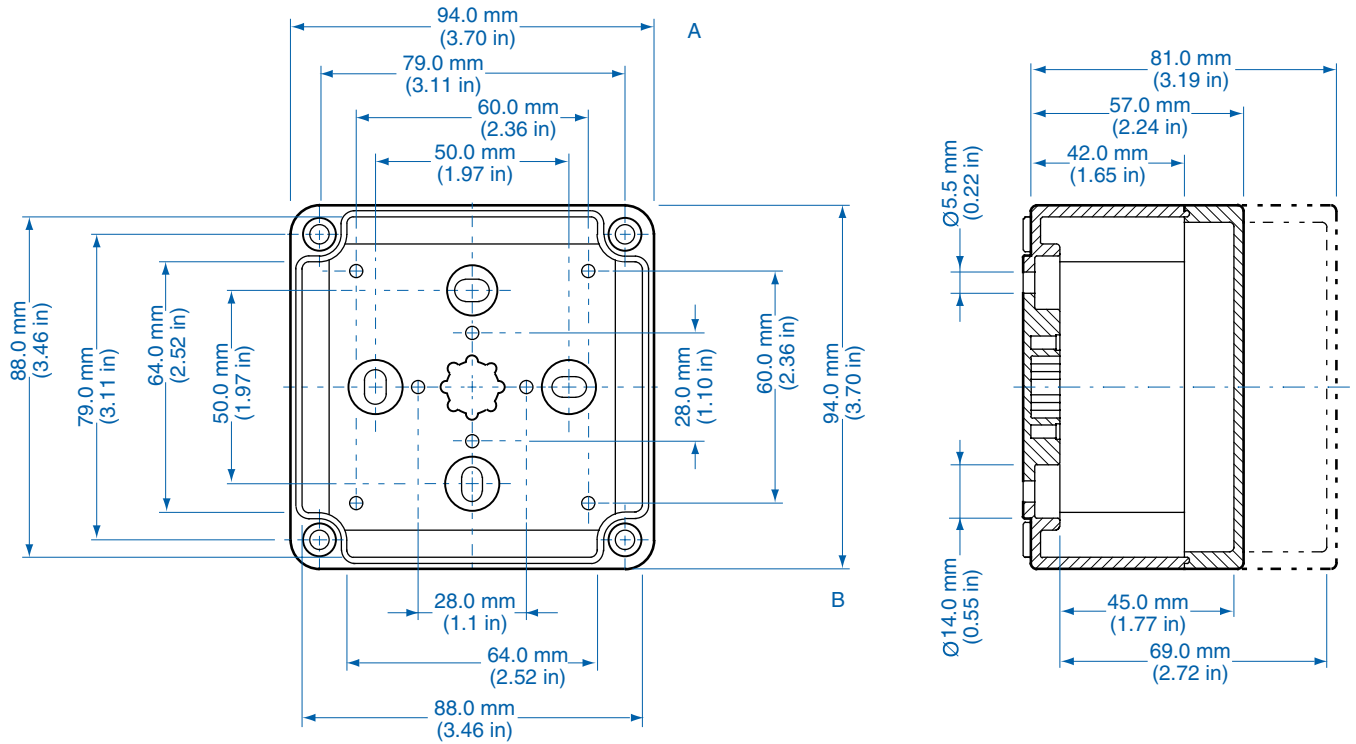
		Polystyrene					Polycarbonate <sup>1</sup>				
Ordering Information	Height mm (in)	Cat. No.	Type	Cover Color	Std. Pk.	Cat. No.	Type	Cover Color	Std. Pk.		
☐ Enclosure - low cover	57 mm (2.24 in)	105-403	PS 99-6-m	gray	4	127-403	PC 99-6-m	gray	4		
☐ Enclosure - high cover	81 mm (3.19 in)	105-903	PS 99-8-m	gray	3	127-903	PC 99-8-m	gray	3		
☐ Enclosure - low cover	57 mm (2.24 in)	106-003	PS 99-6-tm	trans.	4	137-003	PC 99-6-tm	trans.	4		
☐ Enclosure - high cover	81 mm (3.19 in)	106-503	PS 99-8-tm	trans.	3	137-503	PC 99-8-tm	trans.	3		

## Accessories

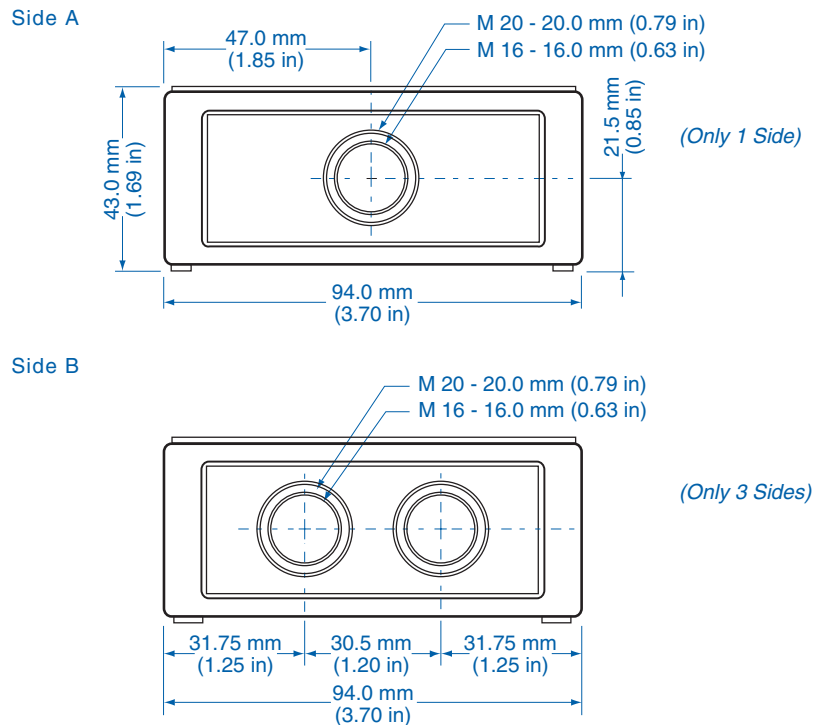
Ordering Information	Cat. No.	Type	Std. Pk.
Mounting Plate	195-003	MP99	1
DIN Rail TS15 - 80 mm	197-080	TS 15/80	1
Hinge Kit Set	190-002	HK1	1
Mounting Tab Kit	194-001	MT1	1

Please refer to pages 116-120 for additional accessories and detailed information.

**Dimensions**



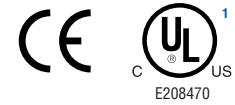
**Knockout Positions**



# TK 1111 – Polystyrene and Polycarbonate – 110x110mm (4.33x4.33in.)

## Standard Features

- **Protection Level:** IP66 (NEMA Type: 4X with gray cover, 12K with transparent cover)
- **Technical:** Smooth or Knockout Sidewalls  
Gray or Tinted Transparent Cover  
Multiple Enclosure Mounting Options
- **Enclosure Material:** Polystyrene or Polycarbonate
- **Gasket Material:** Polyurethane
- **Color:** Light Gray
- **Temperature Range:** Polystyrene  
-40°C to 70°C (-40°F to 158°F)  
Polycarbonate  
-35°C to 120°C (-31°F to 248°F)
- **Accessories:** See section below



### Smooth Sidewalls

Ordering Information	Height mm (in)	Polystyrene					Polycarbonate <sup>1</sup>			
		Cat. No.	Type	Cover Color	Std. Pk.	Cat. No.	Type	Cover Color	Std. Pk.	
Enclosure - low cover	66 mm (2.60 in)	110-404	PS 1111-7-o	gray	3	120-404	PC 1111-7-o	gray	3	
Enclosure - high cover	90 mm (3.54 in)	110-904	PS 1111-9-o	gray	3	120-904	PC 1111-9-o	gray	3	
Enclosure - low cover	66 mm (2.60 in)	111-004	PS 1111-7-to	trans.	3	130-004	PC 1111-7-to	trans.	3	
Enclosure - high cover	90 mm (3.54 in)	111-504	PS 1111-9-to	trans.	3	130-504	PC 1111-9-to	trans.	3	

### Sidewalls with Metric Knockouts

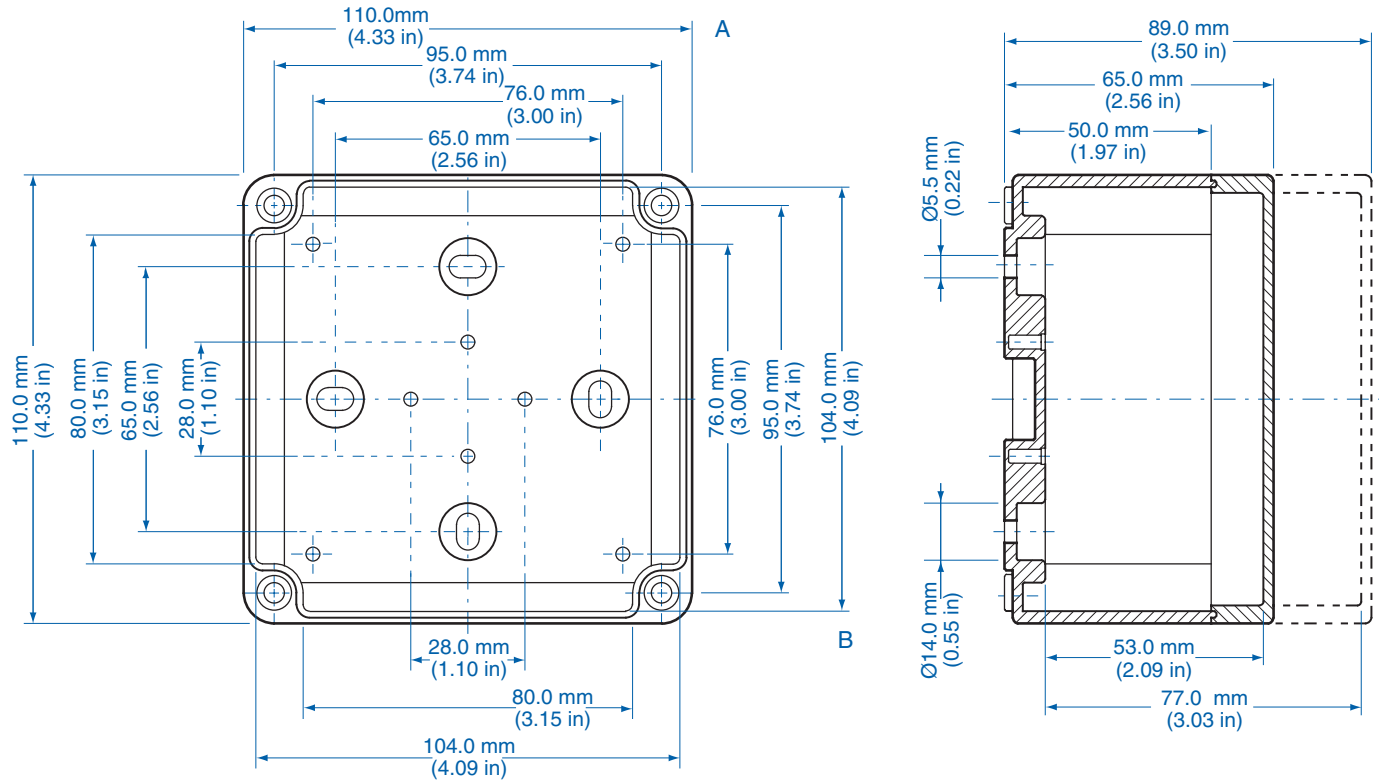
Ordering Information	Height mm (in)	Polystyrene					Polycarbonate <sup>1</sup>			
		Cat. No.	Type	Cover Color	Std. Pk.	Cat. No.	Type	Cover Color	Std. Pk.	
Enclosure - low cover	66 mm (2.60 in)	105-404	PS 1111-7-m	gray	3	127-404	PC 1111-7-m	gray	3	
Enclosure - high cover	90 mm (3.54 in)	105-904	PS 1111-9-m	gray	3	127-904	PC 1111-9-m	gray	3	
Enclosure - low cover	66 mm (2.60 in)	106-004	PS 1111-7-tm	trans.	3	137-004	PC 1111-7-tm	trans.	3	
Enclosure - high cover	90 mm (3.54 in)	106-504	PS 1111-9-tm	trans.	3	137-504	PC 1111-9-tm	trans.	3	

### Accessories

Ordering Information	Cat. No.	Type	Std. Pk.
Mounting Plate	195-004	MP1111	1
DIN Rail TS35-81mm	198-081	TS 35/81	1
DIN Rail TS15-92mm	197-092	TS 15/92	1
Hinge Kit Set	190-002	HK1	1
Mounting Tab Kit	194-001	MT1	1

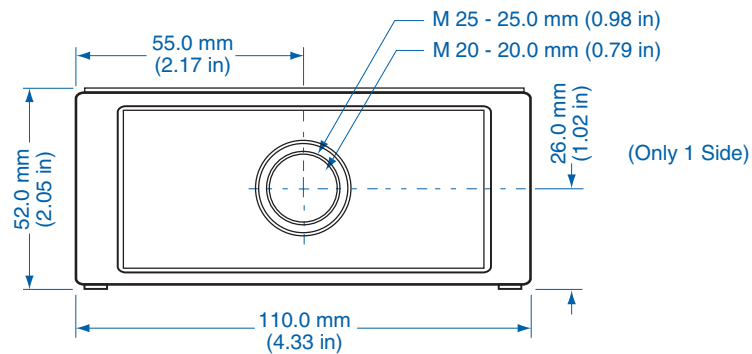
Please refer to pages 116-120 for additional accessories and detailed information.

**Dimensions**

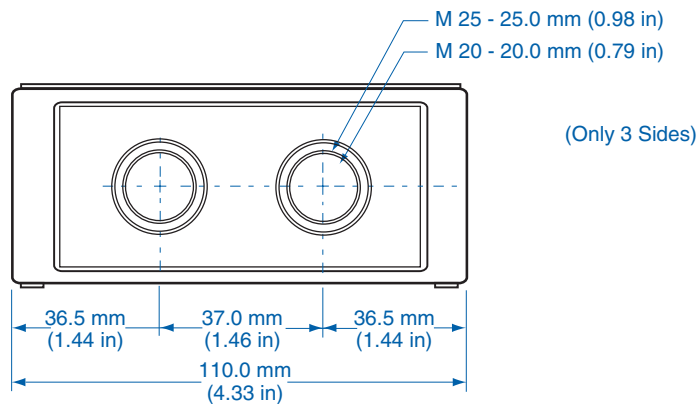


**Knockout Positions**

Side A



Side B





# TK 1309 – Polystyrene and Polycarbonate – 130x94mm (5.12x3.70in.)

## Standard Features

- **Protection Level:** IP66 (NEMA Type: 4X with gray cover, 12K with transparent cover)
- **Technical:** Smooth or Knockout Sidewalls  
Gray or Tinted Transparent Cover  
Multiple Enclosure Mounting Options
- **Enclosure Material:** Polystyrene or Polycarbonate
- **Gasket Material:** Polyurethane
- **Color:** Light Gray
- **Temperature Range:** Polystyrene  
-40°C to 70°C (-40°F to 158°F)  
Polycarbonate  
-35°C to 120°C (-31°F to 248°F)
- **Accessories:** See section below



## Smooth Sidewalls

Ordering Information		Height mm (in)	Polystyrene				Polycarbonate <sup>1</sup>			
			Cat. No.	Type	Cover Color	Std. Pk.	Cat. No.	Type	Cover Color	Std. Pk.
<input type="checkbox"/>	Enclosure - low cover	57 mm (2.24 in)	110-409	PS 1309-6-o	gray	3	120-409	PC 1309-6-o	gray	3
<input type="checkbox"/>	Enclosure - high cover	81 mm (3.19 in)	110-909	PS 1309-8-o	gray	3	120-909	PC 1309-8-o	gray	3
<input type="checkbox"/>	Enclosure - low cover	57 mm (2.24 in)	111-009	PS 1309-6-to	trans.	3	130-009	PC 1309-6-to	trans.	3
<input type="checkbox"/>	Enclosure - high cover	81 mm (3.19 in)	111-509	PS 1309-8-to	trans.	3	130-509	PC 1309-8-to	trans.	3

## Sidewalls with Metric Knockouts

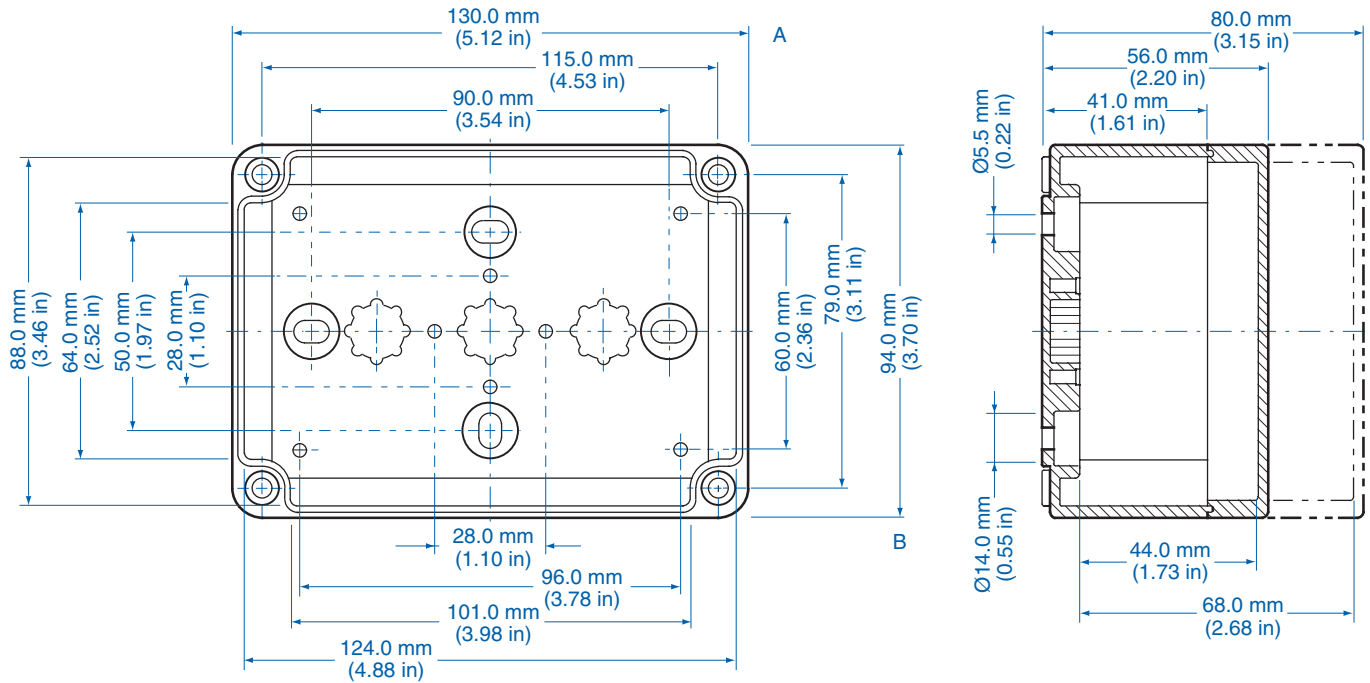
Ordering Information		Height mm (in)	Polystyrene				Polycarbonate <sup>1</sup>			
			Cat. No.	Type	Cover Color	Std. Pk.	Cat. No.	Type	Cover Color	Std. Pk.
<input type="checkbox"/>	Enclosure - low cover	57 mm (2.24 in)	105-409	PS 1309-6-m	gray	3	127-409	PC 1309-6-m	gray	3
<input type="checkbox"/>	Enclosure - high cover	81 mm (3.19 in)	105-909	PS 1309-8-m	gray	3	127-909	PC 1309-8-m	gray	3
<input type="checkbox"/>	Enclosure - low cover	57 mm (2.24 in)	106-009	PS 1309-6-tm	trans.	3	137-009	PC 1309-6-tm	trans.	3
<input type="checkbox"/>	Enclosure - high cover	81 mm (3.19 in)	106-509	PS 1309-8-tm	trans.	3	137-509	PC 1309-8-tm	trans.	3

## Accessories

Ordering Information	Cat. No.	Type	Std. Pk.
Mounting Plate	195-009	MP1309	1
DIN Rail TS35-106mm	198-106	TS 35/106	1
DIN Rail TS15-111mm	197-111	TS 15/111	1
Hinge Kit Set	190-002	HK1	1
Mounting Tab Kit	194-001	MT1	1

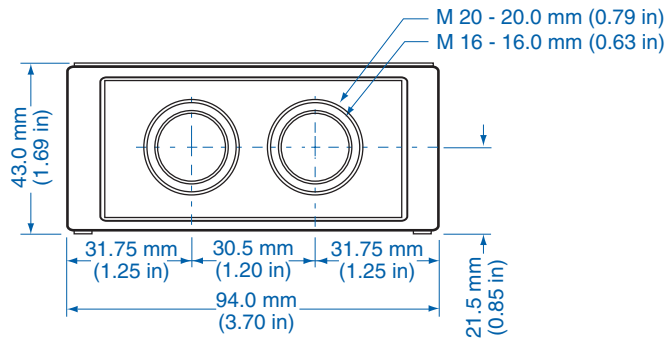
Please refer to pages 116-120 for additional accessories and detailed information.

Dimensions

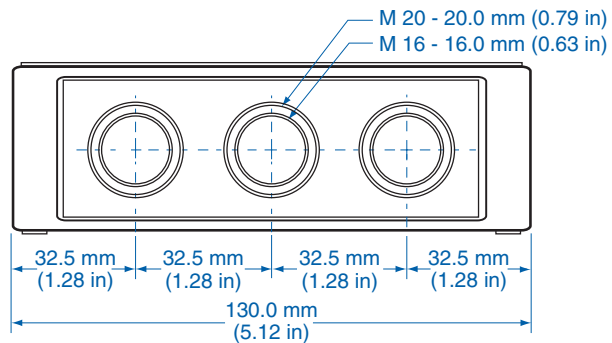


Knockout Positions

Side A



Side B



# TK 1313 – Polystyrene and Polycarbonate – 130x130mm (5.12x5.12in.)

## Standard Features

- **Protection Level:** IP66 (NEMA Type: 4X with gray cover, 12K with transparent cover)
- **Technical:** Smooth or Knockout Sidewalls  
Gray or Tinted Transparent Cover  
Multiple Enclosure Mounting Options
- **Enclosure Material:** Polystyrene or Polycarbonate
- **Gasket Material:** Polyurethane
- **Color:** Light Gray
- **Temperature Range:** Polystyrene  
-40°C to 70°C (-40°F to 158°F)  
Polycarbonate  
-35°C to 120°C (-31°F to 248°F)
- **Accessories:** See section below



## Smooth Sidewalls

Ordering Information	Height mm (in)	Polystyrene					Polycarbonate <sup>1</sup>				
		Cat. No.	Type	Cover Color	Std. Pk.	Cat. No.	Type	Cover Color	Std. Pk.		
☐ Enclosure - low cover	75 mm (2.95 in)	110-405	PS 1313-7-o	gray	2	120-405	PC 1313-7-o	gray	2		
☐ Enclosure - high cover	99 mm (3.90 in)	110-905	PS 1313-10-o	gray	2	120-905	PC 1313-10-o	gray	2		
☐ Enclosure - low cover	75 mm (2.95 in)	111-005	PS 1313-7-to	trans.	2	130-005	PC 1313-7-to	trans.	2		
☐ Enclosure - high cover	99 mm (3.90 in)	111-505	PS 1313-10-to	trans.	2	130-505	PC 1313-10-to	trans.	2		

## Sidewalls with Metric Knockouts

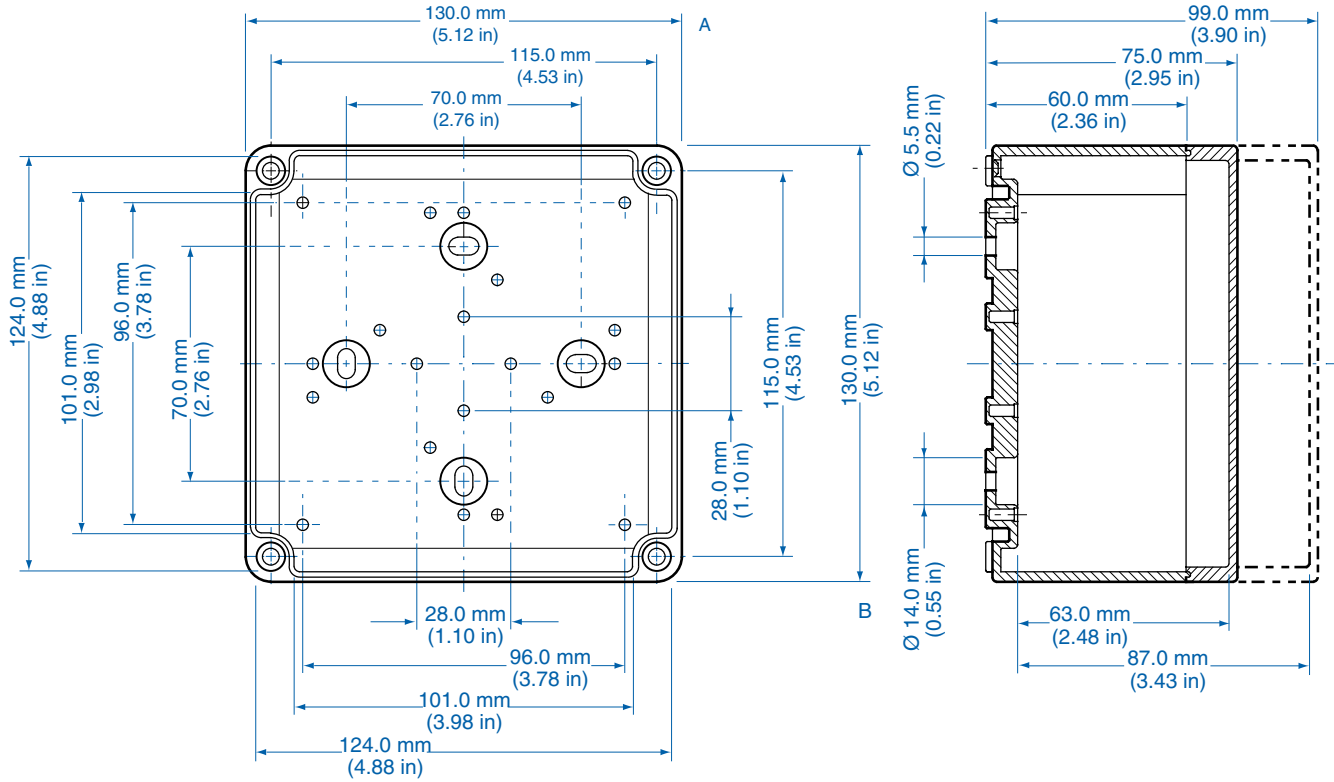
Ordering Information	Height mm (in)	Polystyrene					Polycarbonate <sup>1</sup>				
		Cat. No.	Type	Cover Color	Std. Pk.	Cat. No.	Type	Cover Color	Std. Pk.		
☐ Enclosure - low cover	75 mm (2.95 in)	105-405	PS 1313-7-m	gray	2	127-405	PC 1313-7-m	gray	2		
☐ Enclosure - high cover	99 mm (3.90 in)	105-905	PS 1313-10-m	gray	2	127-905	PC 1313-10-m	gray	2		
☐ Enclosure - low cover	75 mm (2.95 in)	106-005	PS 1313-7-tm	trans.	2	137-005	PC 1313-7-tm	trans.	2		
☐ Enclosure - high cover	99 mm (3.90 in)	106-505	PS 1313-10-tm	trans.	2	137-505	PC 1313-10-tm	trans.	2		

## Accessories

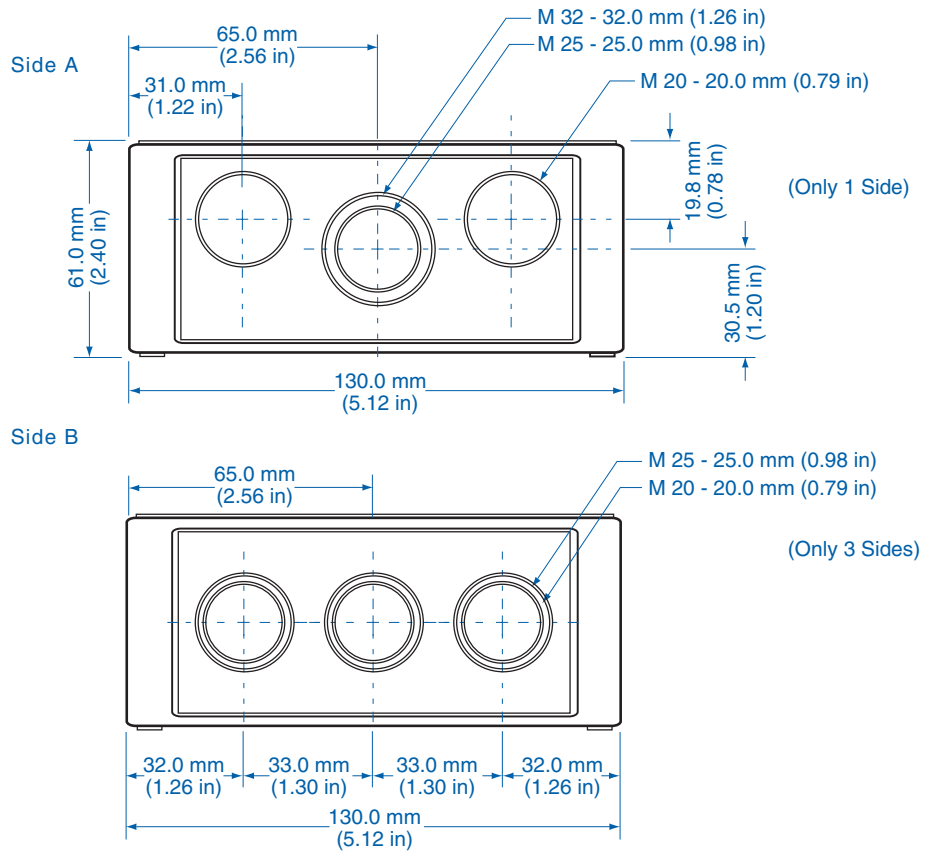
Ordering Information	Cat. No.	Type	Std. Pk.
Mounting Plate	195-005	MP1313	1
DIN Rail TS35-106mm	198-106	TS 35/106	1
DIN Rail TS15-111mm	197-111	TS 15/111	1
Hinge Kit Set	190-002	HK1	1
Mounting Tab Kit	194-001	MT1	1

Please refer to pages 116-120 for additional accessories and detailed information.

Dimensions



Knockout Positions



# TK 1809 – Polystyrene and Polycarbonate – 180x94mm (7.09x3.70in.)

## Standard Features

- **Protection Level:** IP66 (NEMA Type: 4X with gray cover, 12K with transparent cover)
- **Technical:** Smooth or Knockout Sidewalls  
Gray or Tinted Transparent Cover  
Multiple Enclosure Mounting Options
- **Enclosure Material:** Polystyrene or Polycarbonate
- **Gasket Material:** Polyurethane
- **Color:** Light Gray
- **Temperature Range:** Polystyrene  
-40°C to 70°C (-40°F to 158°F)  
Polycarbonate  
-35°C to 120°C (-31°F to 248°F)
- **Accessories:** See section below



## Smooth Sidewalls

Ordering Information		Height mm (in)	Polystyrene				Polycarbonate <sup>1</sup>			
			Cat. No.	Type	Cover Color	Std. Pk.	Cat. No.	Type	Cover Color	Std. Pk.
<input type="checkbox"/>	Enclosure - low cover	57 mm (2.24 in)	110-410	PS 1809-6-o	gray	2	120-410	PC 1809-6-o	gray	2
<input type="checkbox"/>	Enclosure - high cover	81 mm (3.19 in)	110-910	PS 1809-8-o	gray	2	120-910	PC 1809-8-o	gray	2
<input type="checkbox"/>	Enclosure - low cover	57 mm (2.24 in)	111-010	PS 1809-6-to	trans.	2	130-010	PC 1809-6-to	trans.	2
<input type="checkbox"/>	Enclosure - high cover	81 mm (3.19 in)	111-510	PS 1809-8-to	trans.	2	130-510	PC 1809-8-to	trans.	2

## Sidewalls with Metric Knockouts

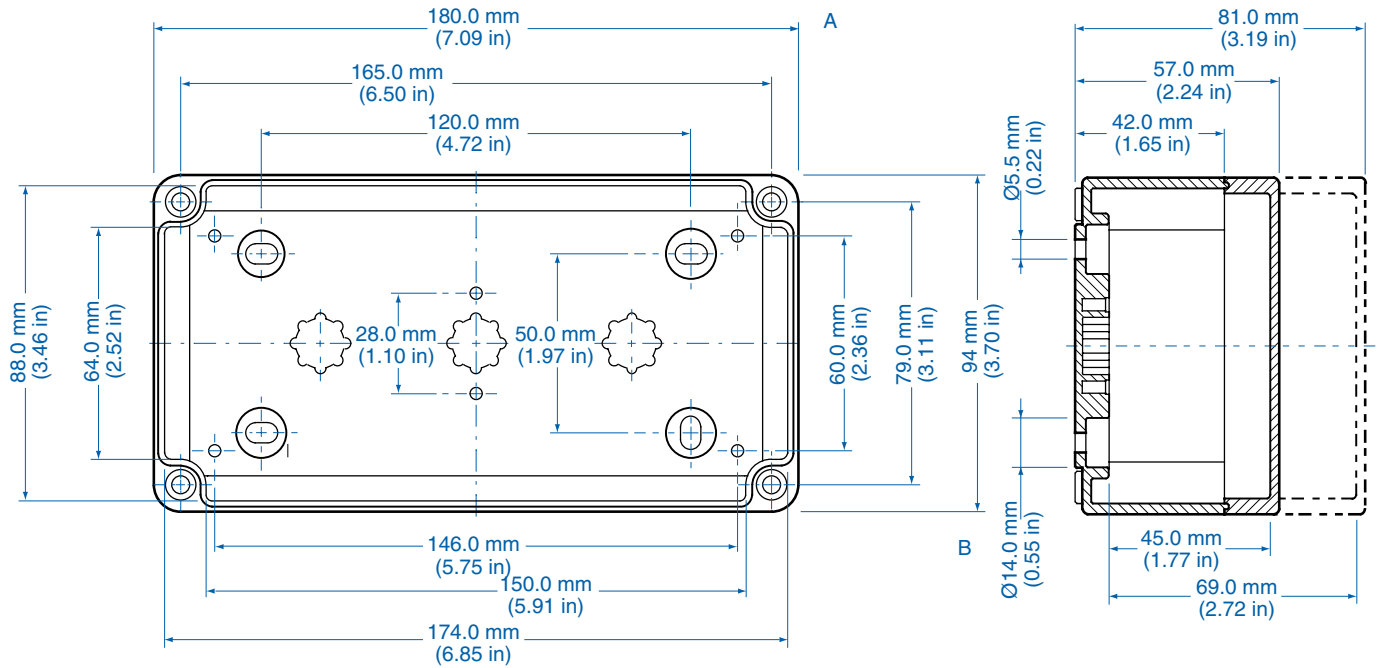
Ordering Information		Height mm (in)	Polystyrene				Polycarbonate <sup>1</sup>			
			Cat. No.	Type	Cover Color	Std. Pk.	Cat. No.	Type	Cover Color	Std. Pk.
<input type="checkbox"/>	Enclosure - low cover	57 mm (2.24 in)	105-410	PS 1809-6-m	gray	2	127-410	PC 1809-6-m	gray	2
<input type="checkbox"/>	Enclosure - high cover	81 mm (3.19 in)	105-910	PS 1809-8-m	gray	2	127-910	PC 1809-8-m	gray	2
<input type="checkbox"/>	Enclosure - low cover	57 mm (2.24 in)	106-010	PS 1809-6-tm	trans.	2	137-010	PC 1809-6-tm	trans.	2
<input type="checkbox"/>	Enclosure - high cover	81 mm (3.19 in)	106-510	PS 1809-8-tm	trans.	2	137-510	PC 1809-8-tm	trans.	2

## Accessories

Ordering Information	Cat. No.	Type	Std. Pk.
Mounting Plate	195-010	MP1809	1
DIN Rail TS35-144mm	198-144	TS 35/144	1
DIN Rail TS15-154mm	197-154	TS 15/154	1
Hinge Kit Set	190-002	HK1	1
Mounting Tab Kit	194-001	MT1	1

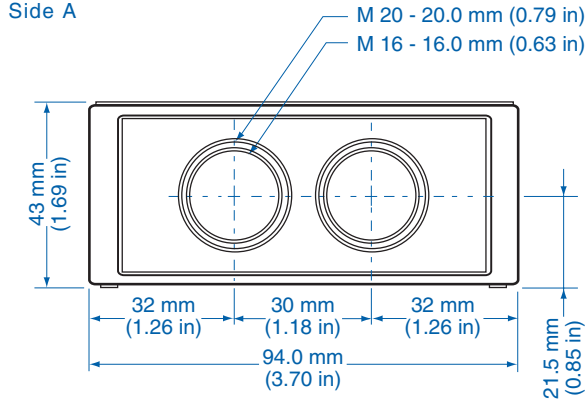
Please refer to pages 116-120 for additional accessories and detailed information.

Dimensions

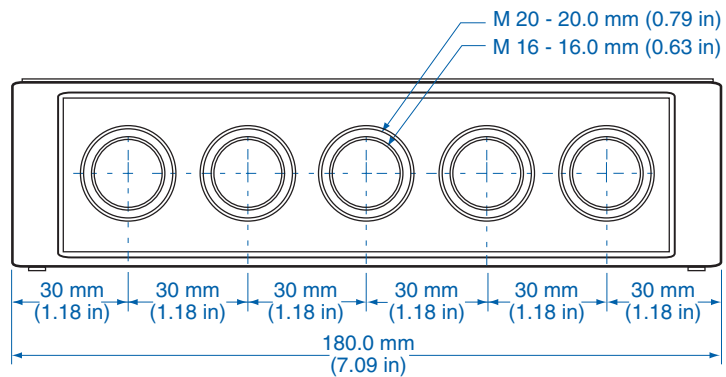


Knockout Positions

Side A



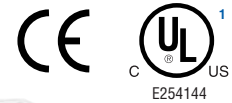
Side B



# TK 1811 – Polystyrene and Polycarbonate – 180x110mm (7.09x4.33in.)

## Standard Features

- **Protection Level:** IP66 (NEMA Type: 4X with gray cover, 12K with transparent cover)
- **Technical:** Smooth or Knockout Sidewalls  
Gray or Tinted Transparent Cover  
Multiple Enclosure Mounting Options
- **Enclosure Material:** Polystyrene or Polycarbonate
- **Gasket Material:** Polyurethane
- **Color:** Light Gray
- **Temperature Range:** Polystyrene  
-40°C to 70°C (-40°F to 158°F)  
Polycarbonate  
-35°C to 120°C (-31°F to 248°F)
- **Accessories:** See section below



### Smooth Sidewalls

Ordering Information	Height mm (in)	Polystyrene				Polycarbonate <sup>1</sup>			
		Cat. No.	Type	Cover Color	Std. Pk.	Cat. No.	Type	Cover Color	Std. Pk.
<input type="checkbox"/> Enclosure - low cover	90 mm (3.54 in)	110-406	PS 1811-9-o	gray	2	120-406	PC 1811-9-o	gray	2
<input type="checkbox"/> Enclosure - high cover	111 mm (4.37 in)	110-906	PS 1811-11-o	gray	2	120-906	PC 1811-11-o	gray	2
<input type="checkbox"/> Enclosure - top hat cover	165 mm (6.50 in)	109-406	PS 1811-16-o	gray	2	121-406	PC 1811-16-o	gray	2
<input type="checkbox"/> Enclosure - low cover	90 mm (3.54 in)	111-006	PS 1811-9-to	trans.	2	130-006	PC 1811-9-to	trans.	2
<input type="checkbox"/> Enclosure - high cover	111 mm (4.37 in)	111-506	PS 1811-11-to	trans.	2	130-506	PC 1811-11-to	trans.	2
<input type="checkbox"/> Enclosure - top hat cover	165 mm (6.50 in)	112-006	PS 1811-16-to	trans.	2	131-006	PC 1811-16-to	trans.	2

### Sidewalls with Metric Knockouts

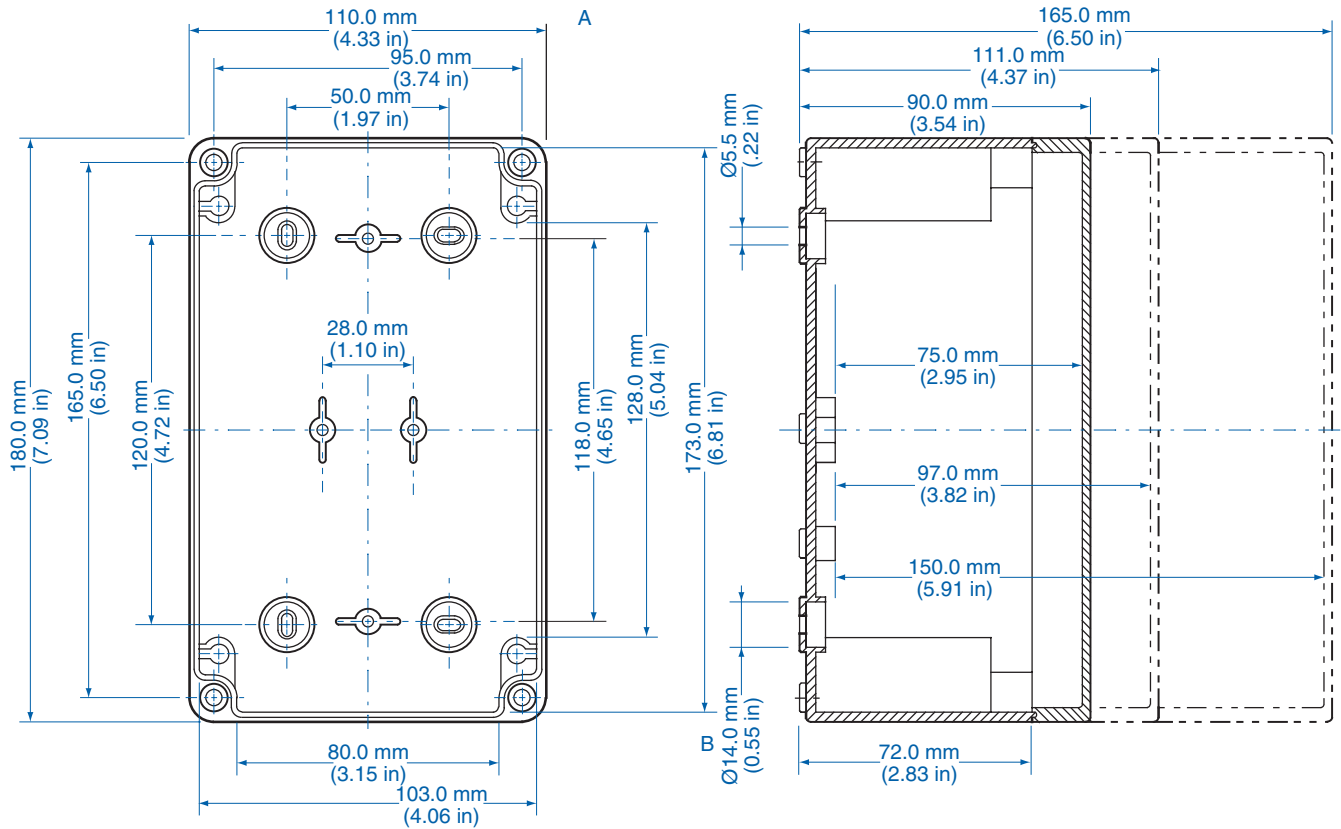
Ordering Information	Height mm (in)	Polystyrene				Polycarbonate <sup>1</sup>			
		Cat. No.	Type	Cover Color	Std. Pk.	Cat. No.	Type	Cover Color	Std. Pk.
<input type="checkbox"/> Enclosure - low cover	90 mm (3.54 in)	105-406	PS 1811-9-m	gray	2	127-406	PC 1811-9-m	gray	2
<input type="checkbox"/> Enclosure - high cover	111 mm (4.37 in)	105-906	PS 1811-11-m	gray	2	127-906	PC 1811-11-m	gray	2
<input type="checkbox"/> Enclosure - top hat cover	165 mm (6.50 in)	104-406	PS 1811-16-m	gray	2	128-406	PC 1811-16-m	gray	2
<input type="checkbox"/> Enclosure - low cover	90 mm (3.54 in)	106-006	PS 1811-9-tm	trans.	2	137-006	PC 1811-9-tm	trans.	2
<input type="checkbox"/> Enclosure - high cover	111 mm (4.37 in)	106-506	PS 1811-11-tm	trans.	2	137-506	PC 1811-11-tm	trans.	2
<input type="checkbox"/> Enclosure - top hat cover	165 mm (6.50 in)	107-006	PS 1811-16-tm	trans.	2	138-006	PC 1811-16-tm	trans.	2

### Accessories

Ordering Information	Cat. No.	Type	Std. Pk.
Mounting Plate	195-006	MP1811	1
DIN Rail TS35-144mm	198-144	TS 35/144	1
Hinge Kit Set	190-005	HK2	1
Mounting Tab Kit	194-001	MT1	1

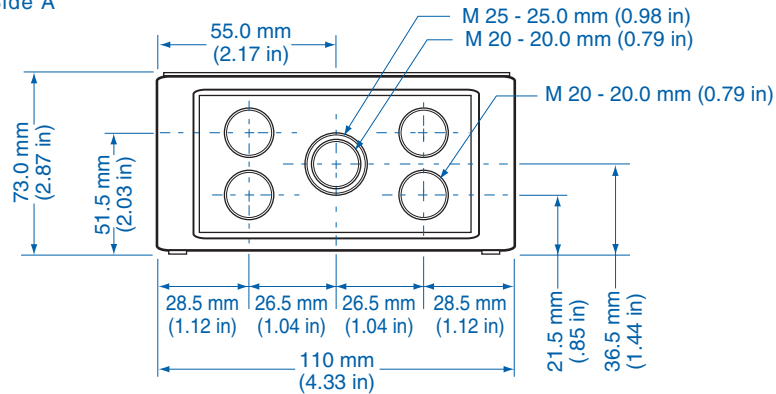
Please refer to pages 116-120 for additional accessories and detailed information.

Dimensions

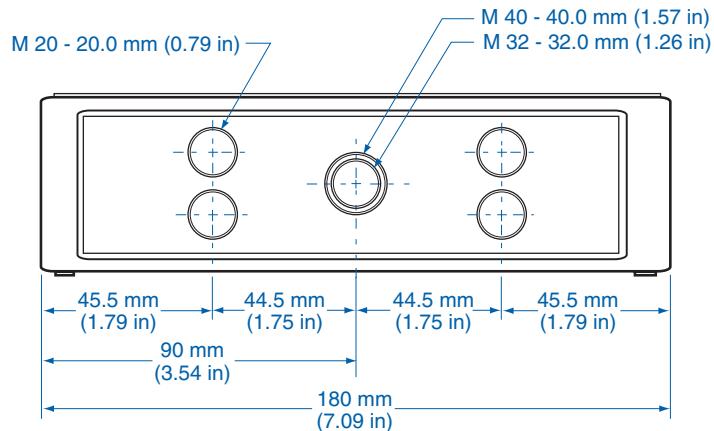


Knockout Positions

Side A



Side B





# TK 1818f – Polystyrene and Polycarbonate – 182x180mm (7.17x7.09in.)

## Standard Features

- **Protection Level:** IP66 (NEMA Type: 4X with gray cover, 12K with transparent cover)
- **Technical:** Smooth or Knockout Sidewalls  
Gray or Tinted Transparent Cover  
Multiple Enclosure Mounting Options
- **Enclosure Material:** Polystyrene or Polycarbonate
- **Gasket Material:** Polyurethane
- **Color:** Light Gray
- **Temperature Range:** Polystyrene  
-40°C to 70°C (-40°F to 158°F)  
Polycarbonate  
-35°C to 120°C (-31°F to 248°F)
- **Accessories:** See section below



## Smooth Sidewalls

Ordering Information	Height mm (in)	Polystyrene				Polycarbonate <sup>1</sup>			
		Cat. No.	Type	Cover Color	Std. Pk.	Cat. No.	Type	Cover Color	Std. Pk.
Enclosure - low cover	63 mm (2.48 in)	110-413	PS 1818-6f-o	gray	2	120-413	PC 1818-6f-o	gray	2
Enclosure - high cover	84 mm (3.31 in)	110-913	PS 1818-8f-o	gray	2	120-913	PC 1818-8f-o	gray	2
Enclosure - top hat cover	137 mm (5.39 in)	109-413	PS 1818-13f-o	gray	1	121-413	PC 1818-13f-o	gray	1
Enclosure - low cover	63 mm (2.48 in)	111-013	PS 1818-6f-to	trans.	2	130-013	PC 1818-6f-to	trans.	2
Enclosure - high cover	84 mm (3.31 in)	111-513	PS 1818-8f-to	trans.	2	130-513	PC 1818-8f-to	trans.	2
Enclosure - top hat cover	137 mm (5.39 in)	112-013	PS 1818-13f-to	trans.	1	131-013	PC 1818-13f-to	trans.	1

## Sidewalls with Metric Knockouts

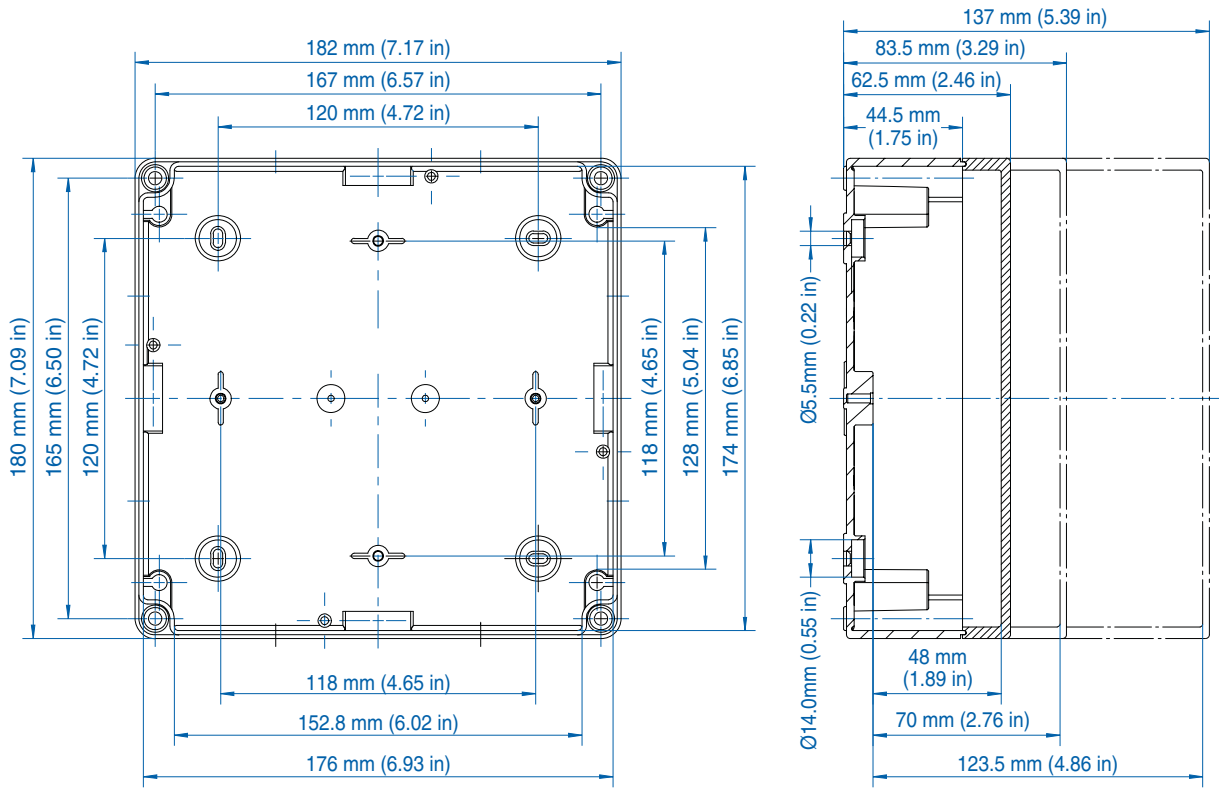
Ordering Information	Height mm (in)	Polystyrene				Polycarbonate <sup>1</sup>			
		Cat. No.	Type	Cover Color	Std. Pk.	Cat. No.	Type	Cover Color	Std. Pk.
Enclosure - low cover	63 mm (2.48 in)	105-413	PS 1818-6f-m	gray	2	127-413	PC 1818-6f-m	gray	2
Enclosure - high cover	84 mm (3.31 in)	105-913	PS 1818-8f-m	gray	2	127-913	PC 1818-8f-m	gray	2
Enclosure - top hat cover	137 mm (5.39 in)	104-413	PS 1818-13f-m	gray	1	128-413	PC 1818-13f-m	gray	1
Enclosure - low cover	63 mm (2.48 in)	106-013	PS 1818-6f-tm	trans.	2	137-013	PC 1818-6f-tm	trans.	2
Enclosure - high cover	84 mm (3.31 in)	106-513	PS 1818-8f-tm	trans.	2	137-513	PC 1818-8f-tm	trans.	2
Enclosure - top hat cover	137 mm (5.39 in)	107-013	PS 1818-13f-tm	trans.	1	138-013	PC 1818-13f-tm	trans.	1

## Accessories

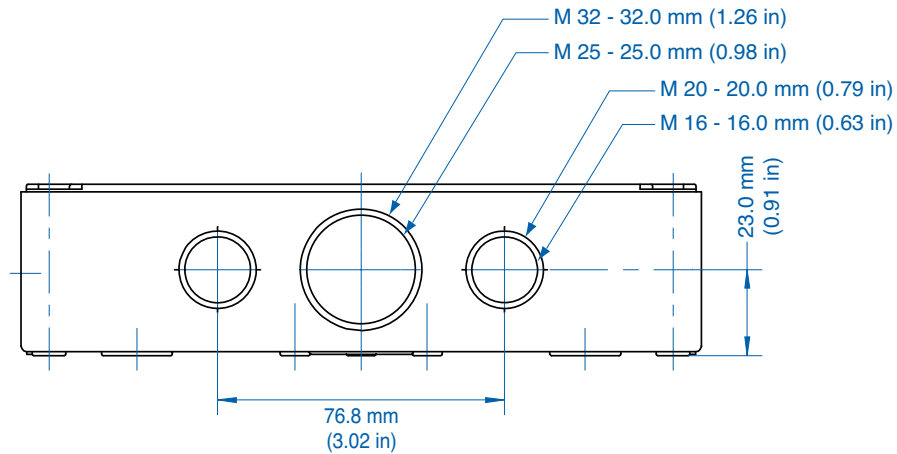
Ordering Information	Cat. No.	Type	Std. Pk.
Mounting Plate	195-007	MP1818	1
DIN Rail TS35-144mm	198-144	TS 35/144	1
Hinge Kit Set	190-005	HK2	1
Mounting Tab Kit	194-001	MT1	1

Please refer to pages 116-120 for additional accessories and detailed information.

**Dimensions**



**Knockout Positions**



# TK 1818 – Polystyrene and Polycarbonate – 182x180mm (7.17x7.09in.)

## Standard Features

- **Protection Level:** IP66 (NEMA Type: 4X with gray cover, 12K with transparent cover)
- **Technical:** Smooth or Knockout Sidewalls  
Gray or Tinted Transparent Cover  
Multiple Enclosure Mounting Options
- **Enclosure Material:** Polystyrene or Polycarbonate
- **Gasket Material:** Polyurethane
- **Color:** Light Gray
- **Temperature Range:** Polystyrene  
-40°C to 70°C (-40°F to 158°F)  
Polycarbonate  
-35°C to 120°C (-31°F to 248°F)
- **Accessories:** See section below



## Smooth Sidewalls

Ordering Information	Height mm (in)	Polystyrene				Polycarbonate <sup>1</sup>			
		Cat. No.	Type	Cover Color	Std. Pk.	Cat. No.	Type	Cover Color	Std. Pk.
Enclosure - low cover	90 mm (3.54 in)	110-407	PS 1818-9-o	gray	2	120-407	PC 1818-9-o	gray	2
Enclosure - high cover	111 mm (4.37 in)	110-907	PS 1818-11-o	gray	2	120-907	PC 1818-11-o	gray	2
Enclosure - top hat cover	165 mm (6.50 in)	109-407	PS 1818-16-o	gray	1	121-407	PC 1818-16-o	gray	1
Enclosure - low cover	90 mm (3.54 in)	111-007	PS 1818-9-to	trans.	2	130-007	PC 1818-9-to	trans.	2
Enclosure - high cover	111 mm (4.37 in)	111-507	PS 1818-11-to	trans.	2	130-507	PC 1818-11-to	trans.	2
Enclosure - top hat cover	165 mm (6.50 in)	112-007	PS 1818-16-to	trans.	1	131-007	PC 1818-16-to	trans.	1

## Sidewalls with Metric Knockouts

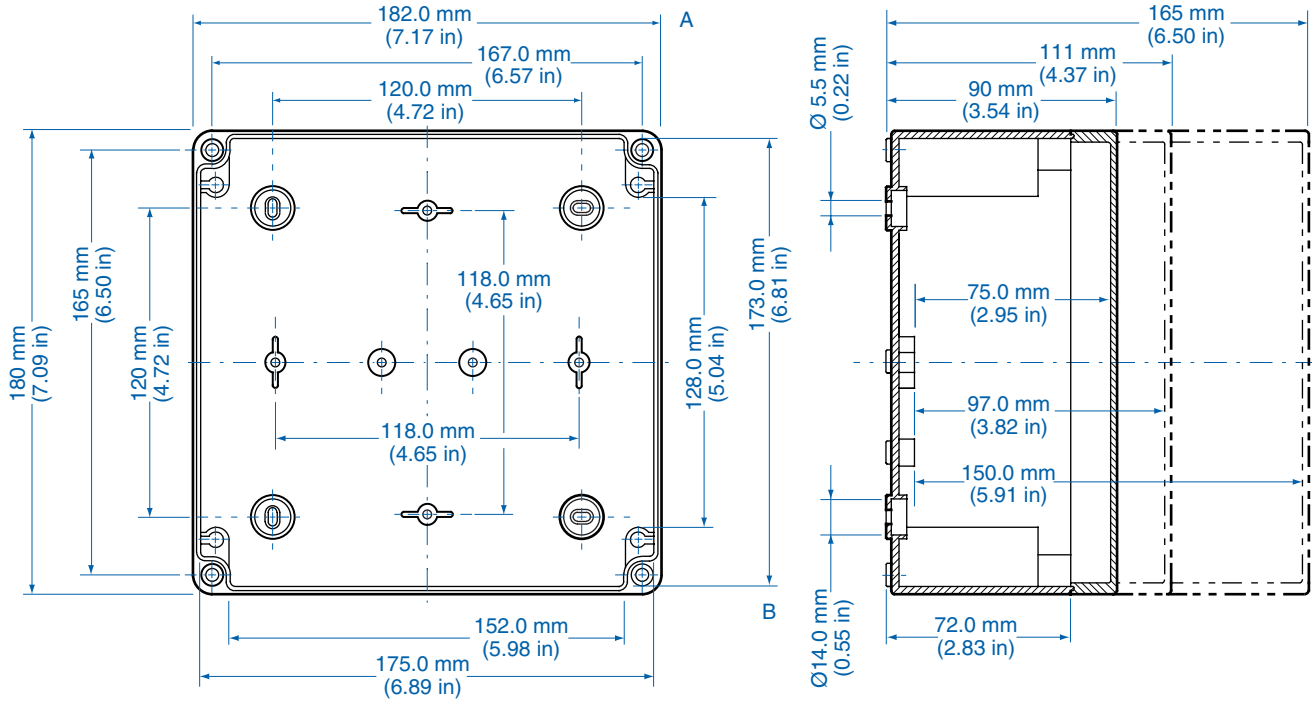
Ordering Information	Height mm (in)	Polystyrene				Polycarbonate <sup>1</sup>			
		Cat. No.	Type	Cover Color	Std. Pk.	Cat. No.	Type	Cover Color	Std. Pk.
Enclosure - low cover	90 mm (3.54 in)	105-407	PS 1818-9-m	gray	2	127-407	PC 1818-9-m	gray	2
Enclosure - high cover	111 mm (4.37 in)	105-907	PS 1818-11-m	gray	2	127-907	PC 1818-11-m	gray	2
Enclosure - top hat cover	165 mm (6.50 in)	104-407	PS 1818-16-m	gray	1	128-407	PC 1818-16-m	gray	1
Enclosure - low cover	90 mm (3.54 in)	106-007	PS 1818-9-tm	trans.	2	137-007	PC 1818-9-tm	trans.	2
Enclosure - high cover	111 mm (4.37 in)	106-507	PS 1818-11-tm	trans.	2	137-507	PC 1818-11-tm	trans.	2
Enclosure - top hat cover	165 mm (6.50 in)	107-007	PS 1818-16-tm	trans.	1	138-007	PC 1818-16-tm	trans.	1

## Accessories

Ordering Information	Cat. No.	Type	Std. Pk.
Mounting Plate	195-007	MP1818	1
DIN Rail TS35-144mm	198-144	TS 35/144	1
Hinge Kit Set	190-005	HK2	1
Mounting Tab Kit	194-001	MT1	1

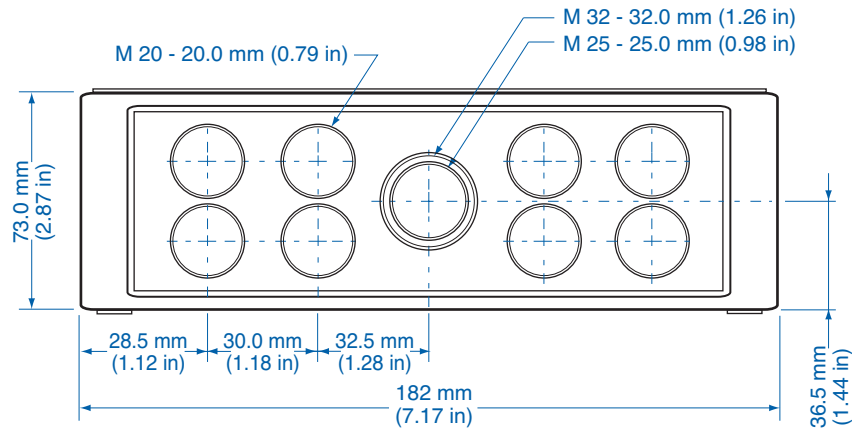
Please refer to pages 116-120 for additional accessories and detailed information.

Dimensions

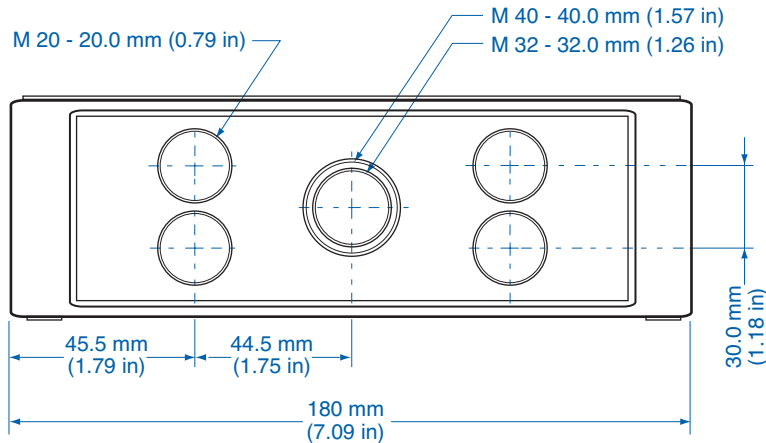


Knockout Positions

Side A



Side B



# TK 2518f – Polystyrene and Polycarbonate – 254x180mm (10.0x7.09in.)

## Standard Features

- **Protection Level:** IP66 (NEMA Type: 4X with gray cover, 12K with transparent cover)
- **Technical:** Smooth or Knockout Sidewalls  
Gray or Tinted Transparent Cover  
Multiple Enclosure Mounting Options
- **Enclosure Material:** Polystyrene or Polycarbonate
- **Gasket Material:** Polyurethane
- **Color:** Light Gray
- **Temperature Range:** Polystyrene  
-40°C to 70°C (-40°F to 158°F)  
Polycarbonate  
-35°C to 120°C (-31°F to 248°F)
- **Accessories:** See section below



## Smooth Sidewalls

Ordering Information	Height mm (in)	Polystyrene				Polycarbonate <sup>1</sup>			
		Cat. No.	Type	Cover Color	Std. Pk.	Cat. No.	Type	Cover Color	Std. Pk.
Enclosure - low cover	63 mm (2.48 in)	110-411	PS 2518-6f-o	gray	1	120-411	PC 2518-6f-o	gray	1
Enclosure - high cover	84 mm (3.31 in)	110-911	PS 2518-8f-o	gray	1	120-911	PC 2518-8f-o	gray	1
Enclosure - top hat cover	137 mm (5.39 in)	109-411	PS 2518-14f-o	gray	1	121-411	PC 2518-14f-o	gray	1
Enclosure - low cover	63 mm (2.48 in)	111-011	PS 2518-6f-to	trans.	1	130-011	PC 2518-6f-to	trans.	1
Enclosure - high cover	84 mm (3.31 in)	111-511	PS 2518-8f-to	trans.	1	130-511	PC 2518-8f-to	trans.	1
Enclosure - top hat cover	137 mm (5.39 in)	112-011	PS 2518-14f-to	trans.	1	131-011	PC 2518-14f-to	trans.	1

## Sidewalls with Metric Knockouts

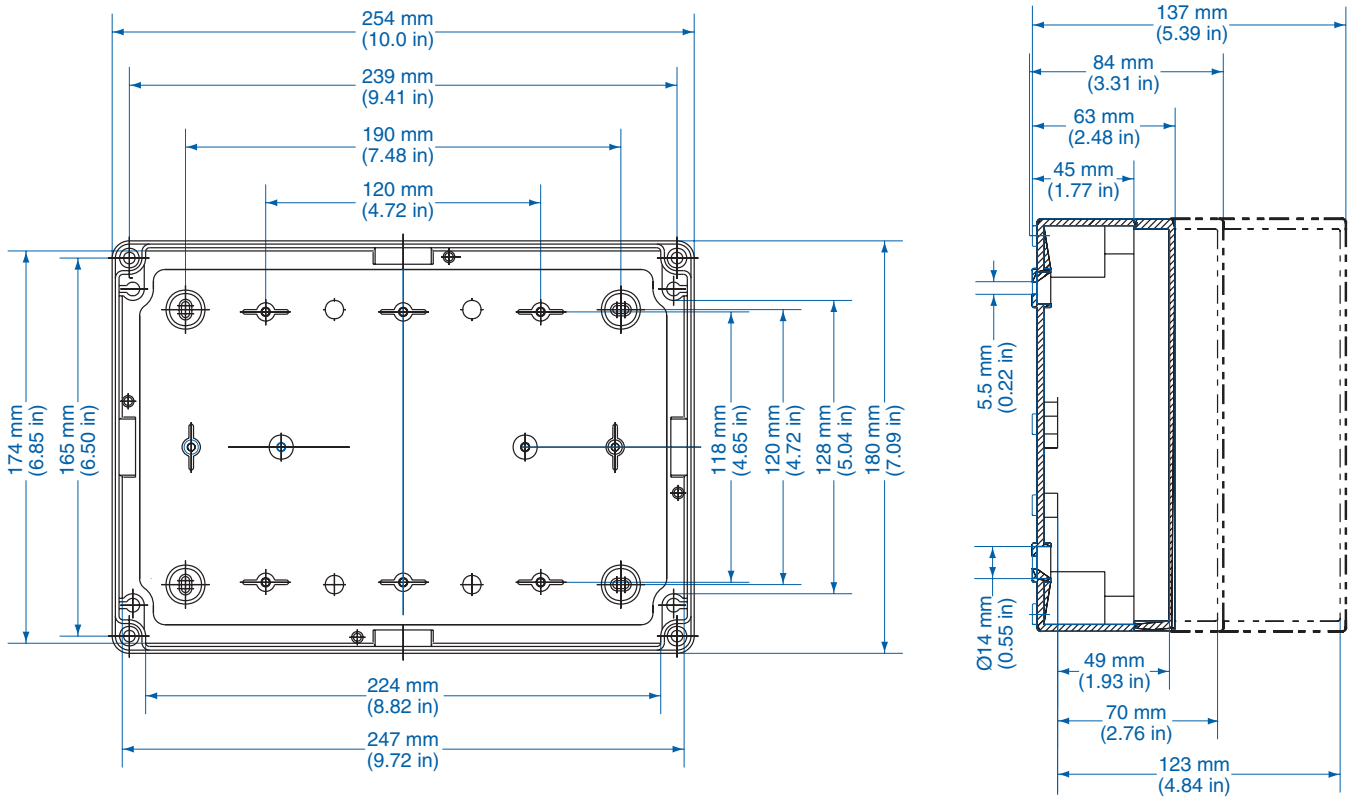
Ordering Information	Height mm (in)	Polystyrene				Polycarbonate <sup>1</sup>			
		Cat. No.	Type	Cover Color	Std. Pk.	Cat. No.	Type	Cover Color	Std. Pk.
Enclosure - low cover	63 mm (2.48 in)	105-411	PS 2518-6f-m	gray	1	127-411	PC 2518-6f-m	gray	1
Enclosure - high cover	84 mm (3.31 in)	105-911	PS 2518-8f-m	gray	1	127-911	PC 2518-8f-m	gray	1
Enclosure - top hat cover	137 mm (5.39 in)	104-411	PS 2518-14f-m	gray	1	128-411	PC 2518-14f-m	gray	1
Enclosure - low cover	63 mm (2.48 in)	106-011	PS 2518-6f-tm	trans.	1	137-011	PC 2518-6f-tm	trans.	1
Enclosure - high cover	84 mm (3.31 in)	106-511	PS 2518-8f-tm	trans.	1	137-511	PC 2518-8f-tm	trans.	1
Enclosure - top hat cover	137 mm (5.39 in)	107-011	PS 2518-14f-tm	trans.	1	138-011	PC 2518-14f-tm	trans.	1

## Accessories

Ordering Information	Cat. No.	Type	Std. Pk.
Mounting Plate	195-008	MP2518	1
DIN Rail TS35-216mm	198-216	TS 35/216	1
Hinge Kit Set	190-005	HK2	1
Mounting Tab Kit	194-001	MT1	1

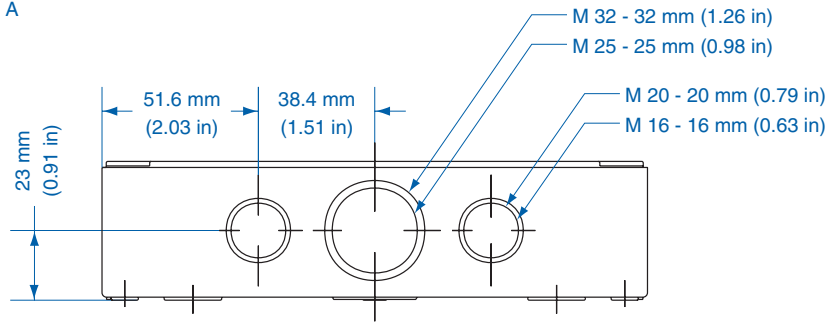
Please refer to pages 116-120 for additional accessories and detailed information.

Dimensions

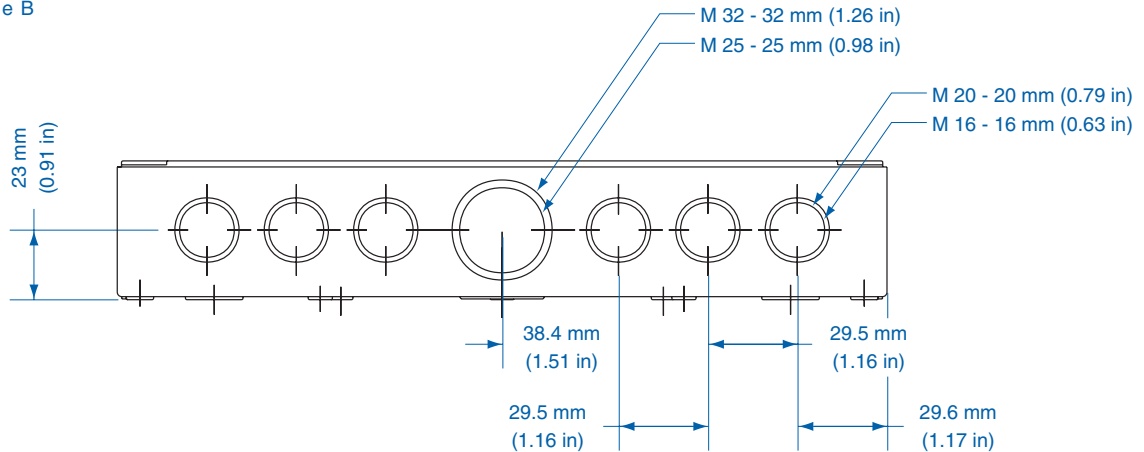


Knockout Positions

Side A



Side B



# TK 2518 – Polystyrene and Polycarbonate – 254x180mm (10.0x7.09in.)

## Standard Features

- **Protection Level:** IP66 (NEMA Type: 4X with gray cover, 12K with transparent cover)
- **Technical:** Smooth or Knockout Sidewalls  
Gray or Tinted Transparent Cover  
Multiple Enclosure Mounting Options
- **Enclosure Material:** Polystyrene or Polycarbonate
- **Gasket Material:** Polyurethane
- **Color:** Light Gray
- **Temperature Range:** Polystyrene  
-40°C to 70°C (-40°F to 158°F)  
Polycarbonate  
-35°C to 120°C (-31°F to 248°F)
- **Accessories:** See section below



## Smooth Sidewalls

Ordering Information	Height mm (in)	Polystyrene				Polycarbonate <sup>1</sup>			
		Cat. No.	Type	Cover Color	Std. Pk.	Cat. No.	Type	Cover Color	Std. Pk.
Enclosure - low cover	90 mm (3.54 in)	110-408	PS 2518-9-o	gray	1	120-408	PC 2518-9-o	gray	1
Enclosure - high cover	111 mm (4.37 in)	110-908	PS 2518-11-o	gray	1	120-908	PC 2518-11-o	gray	1
Enclosure - top hat cover	165 mm (6.50 in)	109-408	PS 2518-16-o	gray	1	121-408	PC 2518-16-o	gray	1
Enclosure - low cover	90 mm (3.54 in)	111-008	PS 2518-9-to	trans.	1	130-008	PC 2518-9-to	trans.	1
Enclosure - high cover	111 mm (4.37 in)	111-508	PS 2518-11-to	trans.	1	130-508	PC 2518-11-to	trans.	1
Enclosure - top hat cover	165 mm (6.50 in)	112-008	PS 2518-16-to	trans.	1	131-008	PC 2518-16-to	trans.	1

## Sidewalls with Metric Knockouts

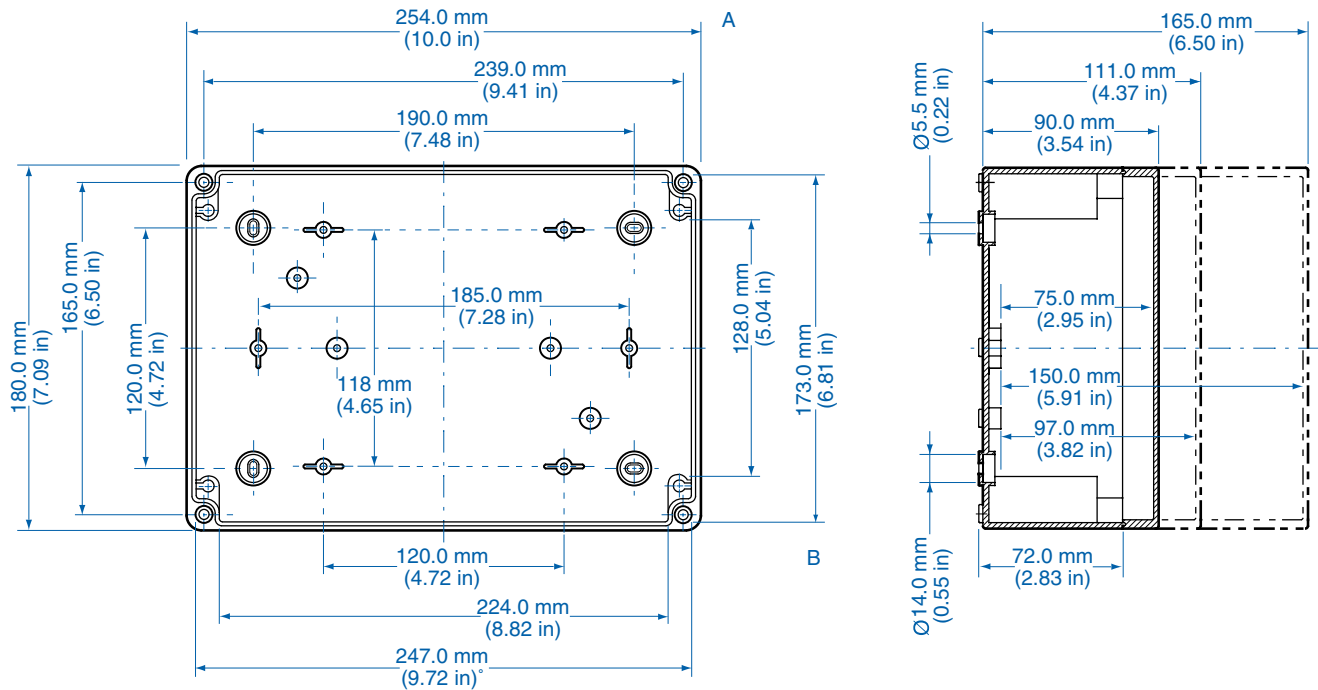
Ordering Information	Height mm (in)	Polystyrene				Polycarbonate <sup>1</sup>			
		Cat. No.	Type	Cover Color	Std. Pk.	Cat. No.	Type	Cover Color	Std. Pk.
Enclosure - low cover	90 mm (3.54 in)	105-408	PS 2518-9-m	gray	1	127-408	PC 2518-9-m	gray	1
Enclosure - high cover	111 mm (4.37 in)	105-908	PS 2518-11-m	gray	1	127-908	PC 2518-11-m	gray	1
Enclosure - top hat cover	165 mm (6.50 in)	104-408	PS 2518-16-m	gray	1	128-408	PC 2518-16-m	gray	1
Enclosure - low cover	90 mm (3.54 in)	106-008	PS 2518-9-tm	trans.	1	137-008	PC 2518-9-tm	trans.	1
Enclosure - high cover	111 mm (4.37 in)	106-508	PS 2518-11-tm	trans.	1	137-508	PC 2518-11-tm	trans.	1
Enclosure - top hat cover	165 mm (6.50 in)	107-008	PS 2518-16-tm	trans.	1	138-008	PC 2518-16-tm	trans.	1

## Accessories

Ordering Information	Cat. No.	Type	Std. Pk.
Mounting Plate	195-008	MP2518	1
DIN Rail TS35-216mm	198-216	TS 35/216	1
Hinge Kit Set	190-005	HK2	1
Mounting Tab Kit	194-001	MT1	1

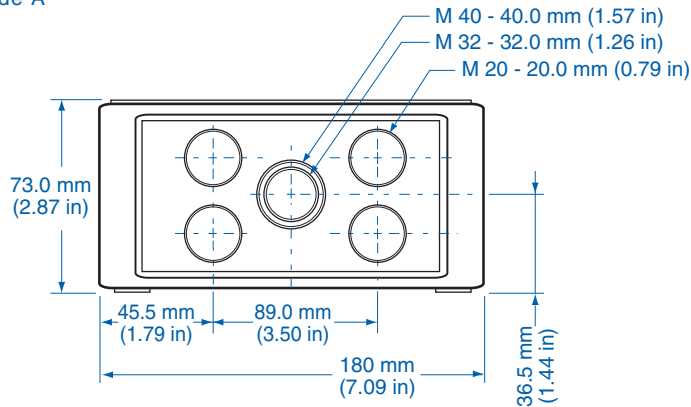
Please refer to pages 116-120 for additional accessories and detailed information.

Dimensions

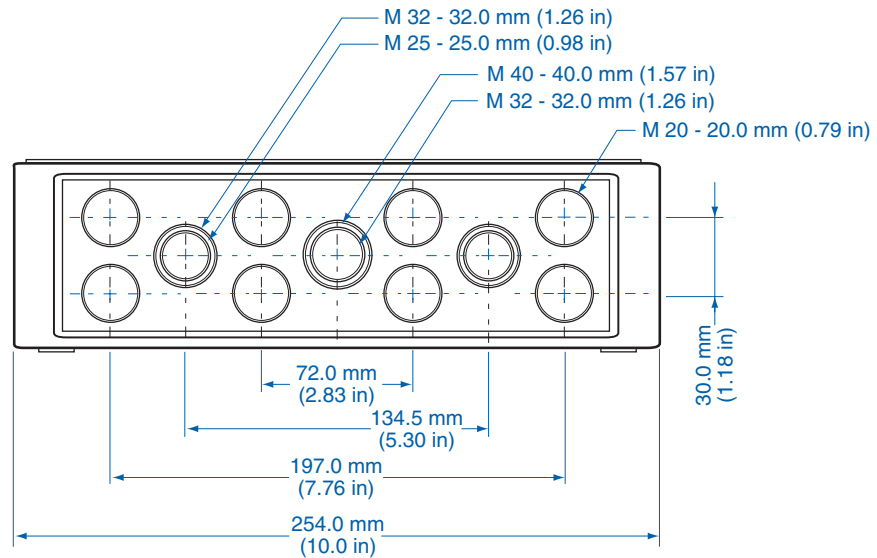


Knockout Positions

Side A



Side B





# TK 3625 – Polystyrene and Polycarbonate – 360x254mm (14.2x10.0in.)

## Standard Features

- **Protection Level:** IP66 (NEMA Type: 4X with gray cover, 12K with transparent cover)
- **Technical:** Smooth or Knockout Sidewalls  
Gray or Tinted Transparent Cover  
Multiple Enclosure Mounting Options
- **Enclosure Material:** Polystyrene or Polycarbonate
- **Gasket Material:** Polyurethane
- **Color:** Light Gray
- **Temperature Range:** Polystyrene  
-40°C to 70°C (-40°F to 158°F)  
Polycarbonate  
-35°C to 120°C (-31°F to 248°F)
- **Accessories:** See section below



## Smooth Sidewalls

Ordering Information	Height mm (in)	Polystyrene				Polycarbonate <sup>1</sup>			
		Cat. No.	Type	Cover Color	Std. Pk.	Cat. No.	Type	Cover Color	Std. Pk.
Enclosure - low cover	111 mm (4.37 in)	110-412	PS 3625-11-o	gray	1	120-412	PC 3625-11-o	gray	1
Enclosure - high cover	165 mm (6.50 in)	110-912	PS 3625-16-o	gray	1	120-912	PC 3625-16-o	gray	1
Enclosure - low cover	111 mm (4.37 in)	111-012	PS 3625-11-to	trans.	1	130-012	PC 3625-11-to	trans.	1
Enclosure - high cover	165 mm (6.50 in)	111-512	PS 3625-16-to	trans.	1	130-512	PC 3625-16-to	trans.	1

## Sidewalls with Metric Knockouts

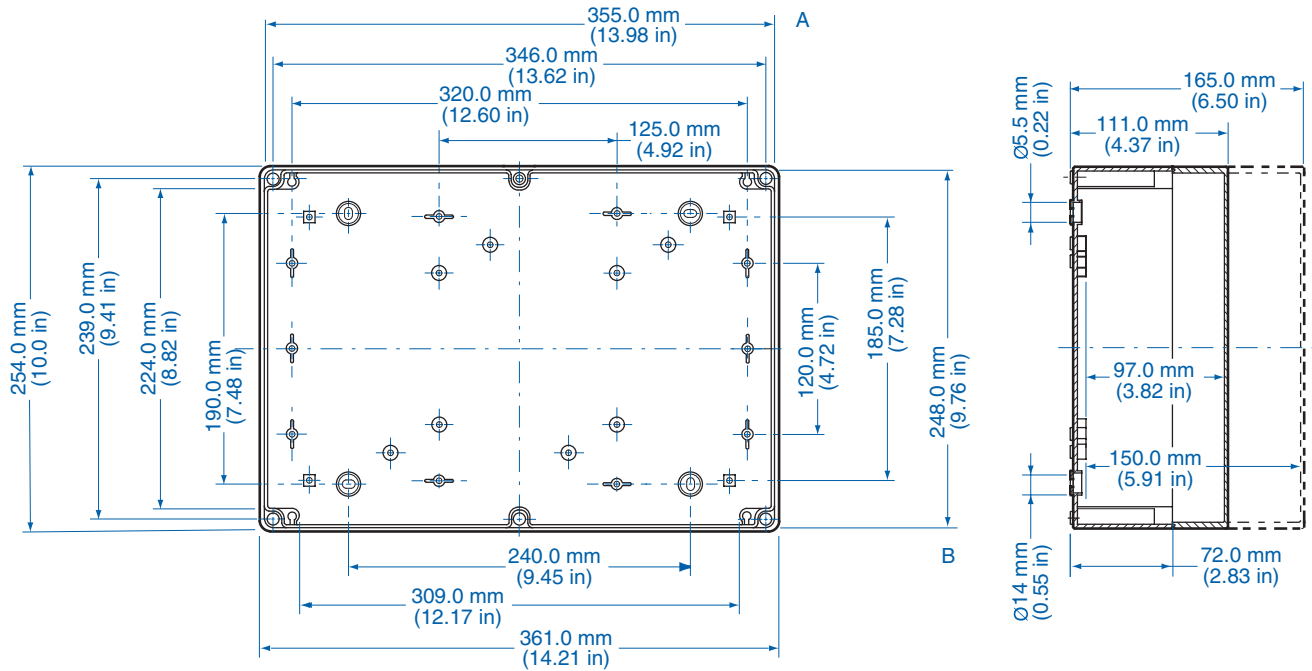
Ordering Information	Height mm (in)	Polystyrene				Polycarbonate <sup>1</sup>			
		Cat. No.	Type	Cover Color	Std. Pk.	Cat. No.	Type	Cover Color	Std. Pk.
Enclosure - low cover	111 mm (4.37 in)	105-412	PS 3625-11-m	gray	1	127-412	PC 3625-11-m	gray	1
Enclosure - high cover	165 mm (6.50 in)	105-912	PS 3625-16-m	gray	1	127-912	PC 3625-16-m	gray	1
Enclosure - low cover	111 mm (4.37 in)	106-012	PS 3625-11-tm	trans.	1	137-012	PC 3625-11-tm	trans.	1
Enclosure - high cover	165 mm (6.50 in)	106-512	PS 3625-16-tm	trans.	1	137-512	PC 3625-16-tm	trans.	1

## Accessories

Ordering Information	Cat. No.	Type	Std. Pk.
Mounting Plate	195-012	MP3625	1
DIN Rail TS35-336mm	198-336	TS 35/ 336	1
Hinge Kit Set	190-005	HK2	1
Mounting Tab Kit	194-001	MT1	1

Please refer to pages 116-120 for additional accessories and detailed information.

Dimensions



Knockout Positions

