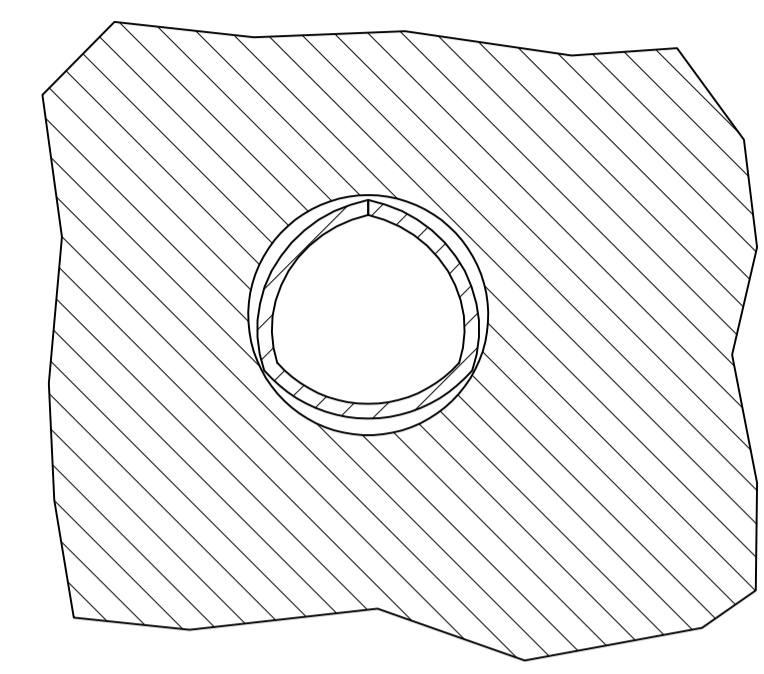
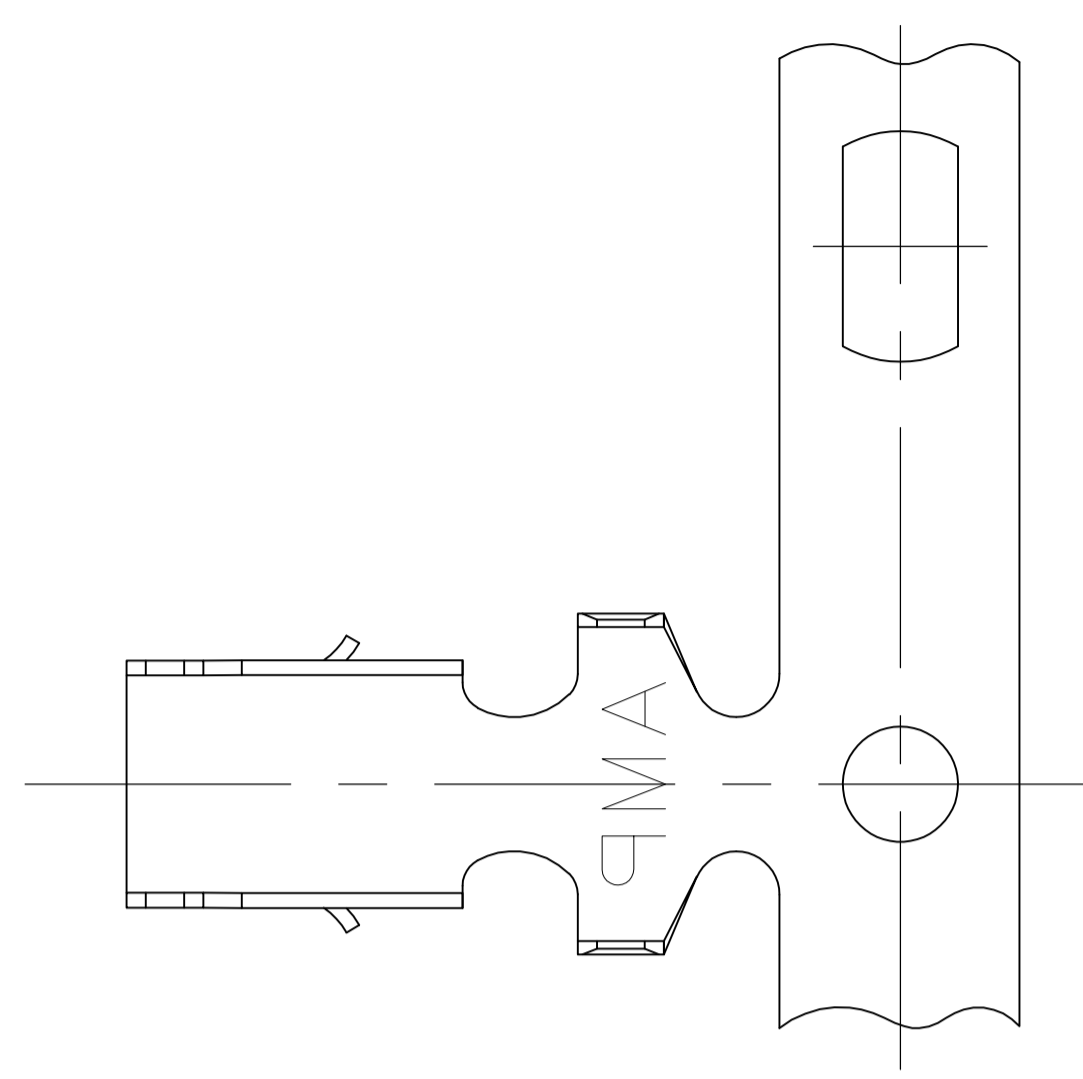
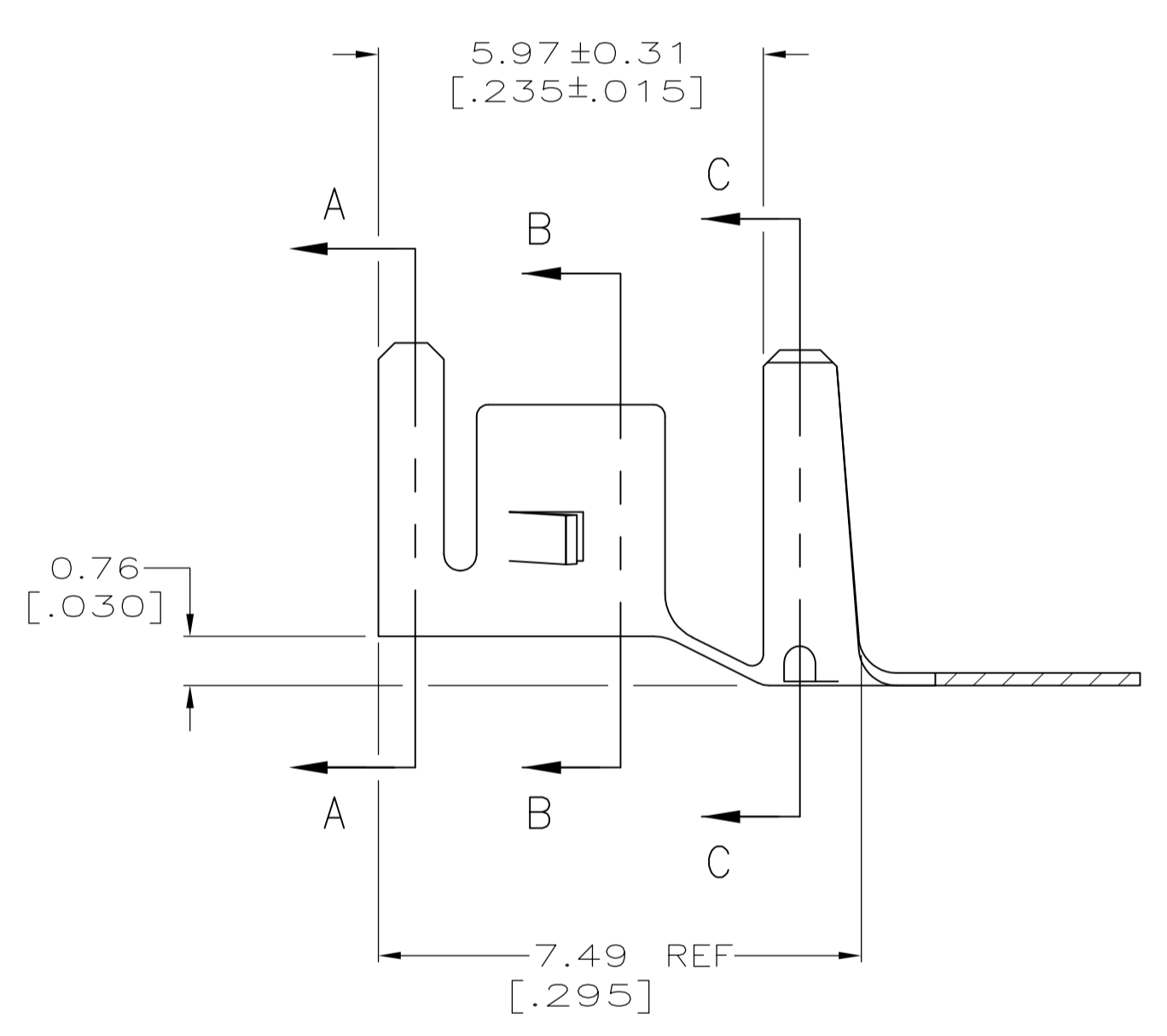


LOC		DIST		REVISIONS			
CM	00	REV	DATE	BY	CHK	APPV	
B2		REVISED PER ECO-12-014997	23AUG12	KH	SM		

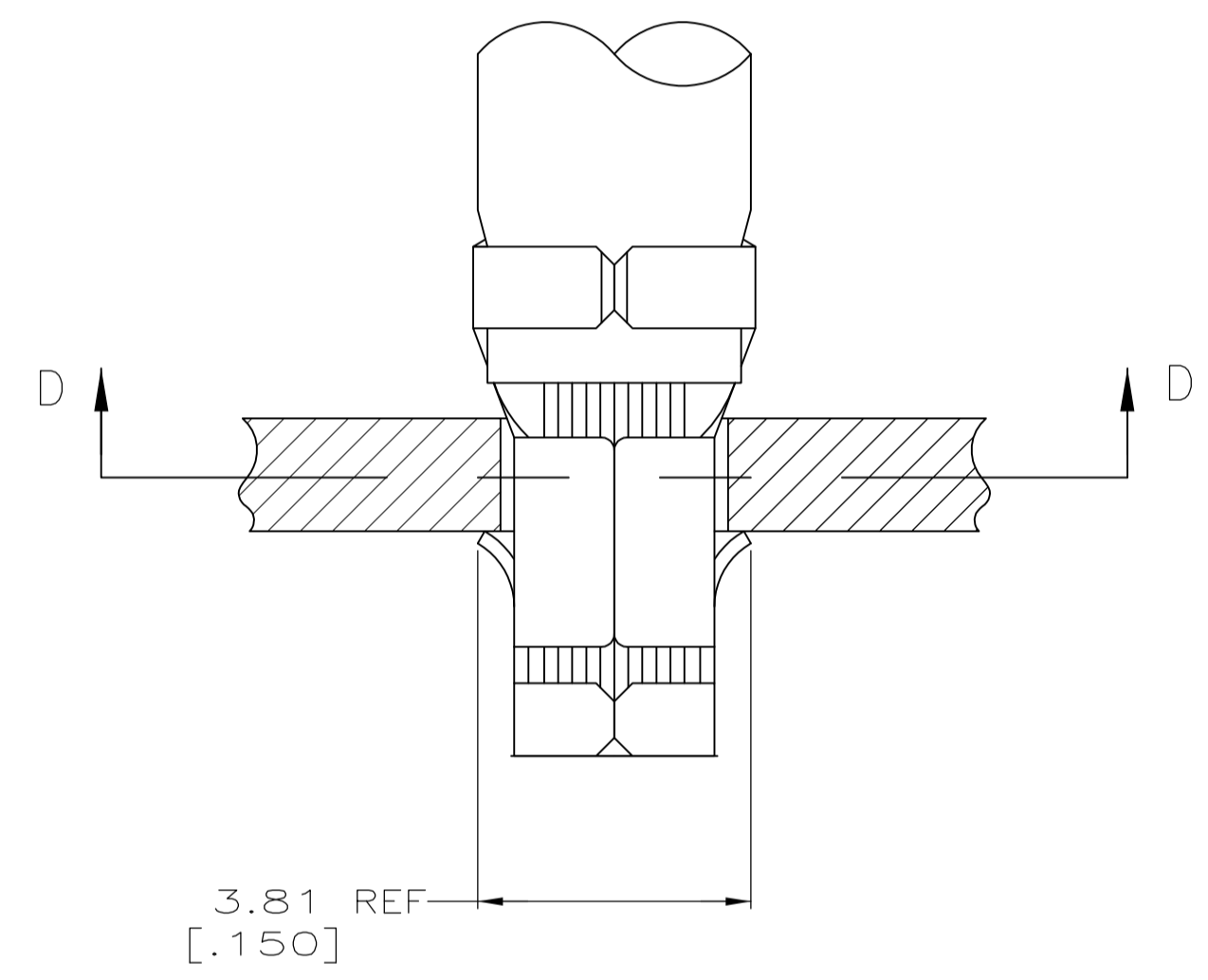
- 1 PARTS COMPLY WITH AMP SOLDERABILITY SPEC 109-11-5.
- 2 0.00508 [.000200] MIN BRIGHT TIN-LEAD.
- 3 WIRE RANGE: 3 mm² (12 AWG).
- 4 INSULATION RANGE: 2.29 - 3.81 [.090 - .150] DIA.
- 5 DIMENSIONS IN BRACKETS ARE IN INCHES.
- 6 0.00508 [.000200] MIN BRIGHT TIN.



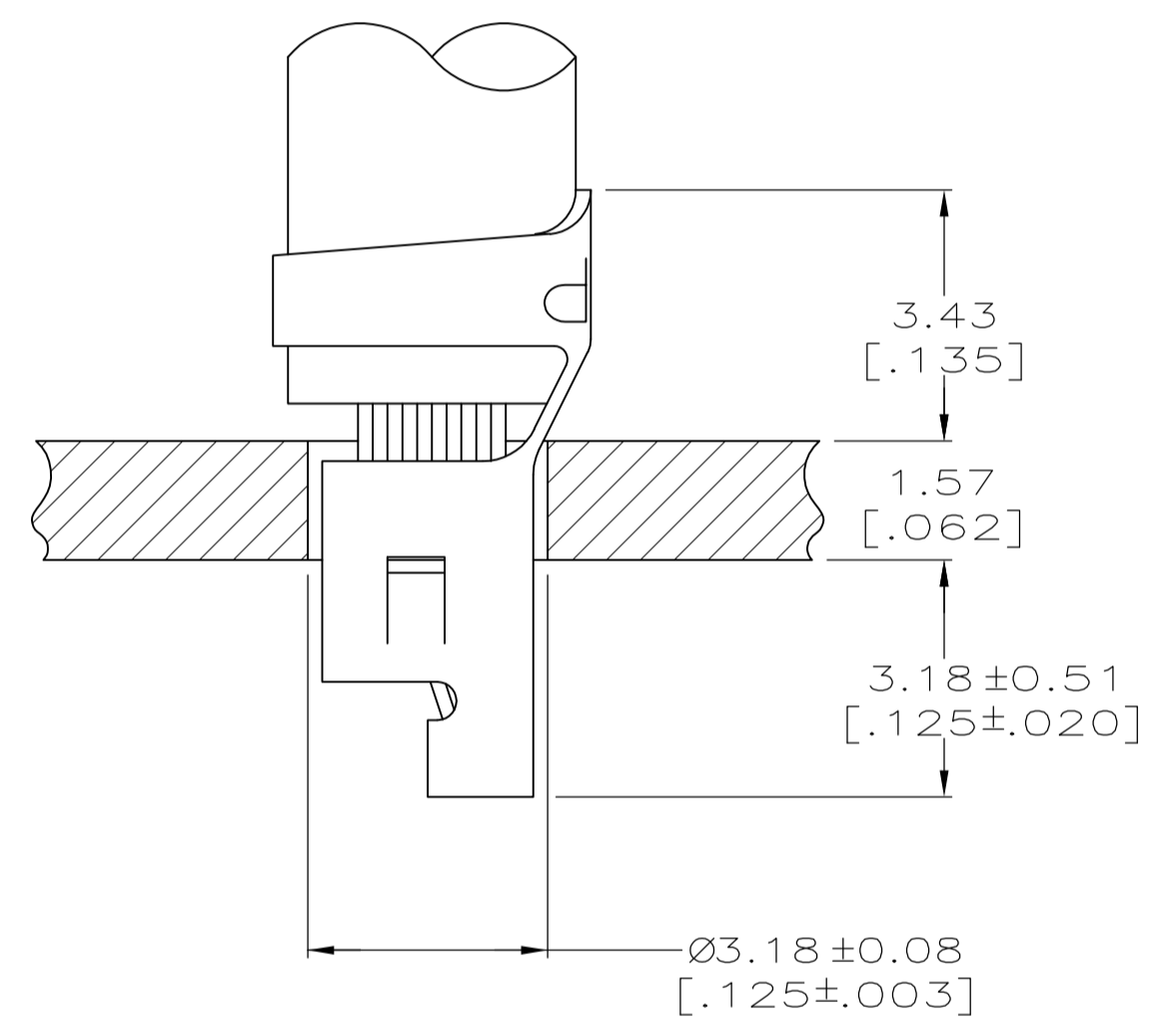
SECTION D-D



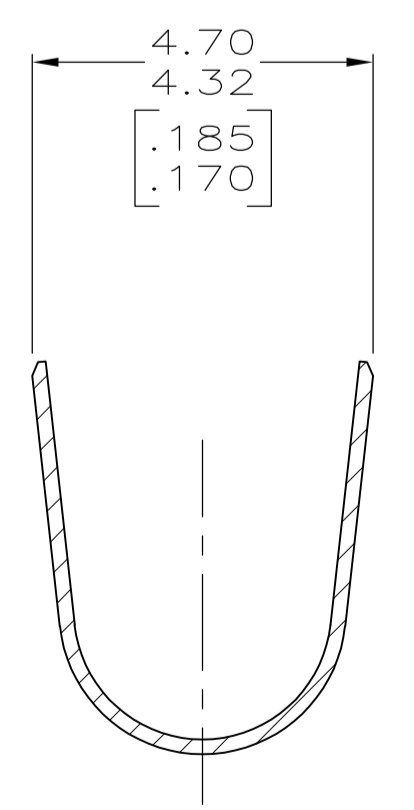
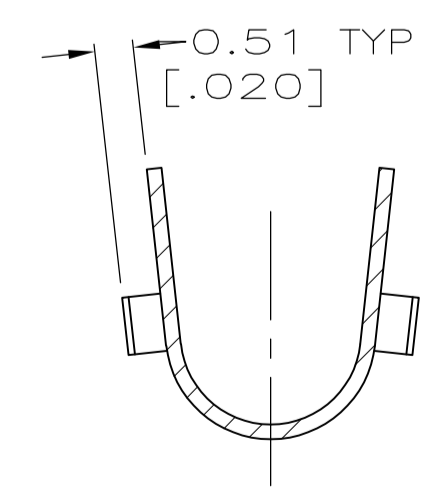
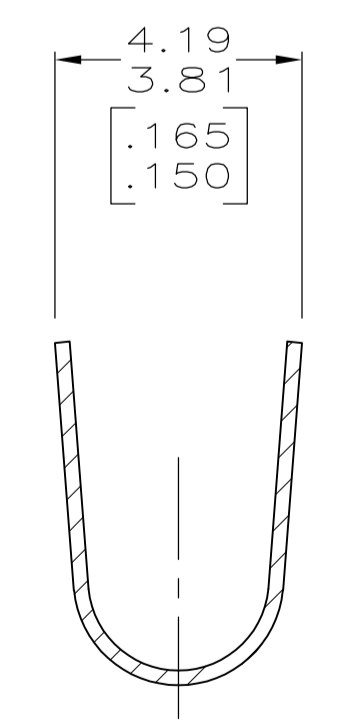
SECTION A-A



SECTION B-B



SECTION C-C



6	3-794013-1
2	-794013-1-
FINISH	PART NO.

SUPERSEDED BY 3-794013-1

THIS DRAWING IS A CONTROLLED DOCUMENT.		DIN S. CARPENTER 21AUG2003		APVD J. ELLIS 21AUG2003		NAME		TE Connectivity	
DIMENSIONS: INCHES		TOLERANCES UNLESS OTHERWISE SPECIFIED:		APPLICATION SPEC		SIZE		RESTRICTED TO	
0 PLC ±		1 PLC ±		114-1016		CAGE CODE		DRAWING NO	
1 PLC ±		2 PLC ±		100779		DRAWING NO		794013	
2 PLC ±		3 PLC ±		C=794013		DRAWING NO		794013	
3 PLC ±		4 PLC ±		CUSTOMER DRAWING		SCALE		SHEET	
4 PLC ±		ANGLES ±		SCALE 10:1		SHEET 1 OF 1		REV B2	
MATERIAL 0.198 [.0078] PH BRZ		FINISH		SCALE 10:1		SHEET 1 OF 1		REV B2	

METRIC