



7/16 DIN Female Connector Crimp/Solder Attachment For PE-C400, 0.400 inch

TECHNICAL DATA SHEET

PE44546

7/16 DIN Female Connector Crimp/Solder Attachment For PE-C400, 0.400 inch

Configuration

Connector	7/16 DIN Female
Connector Interface Type	PE-C400,0.400 inch
Cable Attachment Method (Shield/Contact)	Crimp/Solder
Body Style	Straight

Electrical Specifications

Impedance, Ohms	50
-----------------	----

Mechanical Specifications

Size

Length, in [mm]	1.89 [48.01]
Width/Dia., in [mm]	1.14 [28.96]
Weight, lbs [g]	0.11 [49.9]

Connector

Type	7/16 DIN Female
Contact Material and Plating	Silver
Body Material and Plating	Brass, Tri-Metal
Dielectric Type	PTFE

Compliance Certifications (visit www.Pasternack.com for current document)

RoHS Compliant	Yes
----------------	-----

Plotted and Other Data

Notes:	Values at 25 °C, sea level
--------	----------------------------

7/16 DIN Female Connector Crimp/Solder Attachment For PE-C400, 0.400 inch from Pasternack Enterprises has same day shipment for domestic and International orders. Our RF, microwave and fiber optic products maintain a 99% availability and are part of the broadest selection in the industry.

Click the following link (or enter part number in "SEARCH" on website) to obtain additional part information including price, inventory and certifications: [7/16 DIN Female Connector Crimp/Solder Attachment For PE-C400, 0.400 inch PE44546](http://www.pasternack.com/7-16-female-standard-pe-c400-0.400-connector-pe44546-p.aspx)

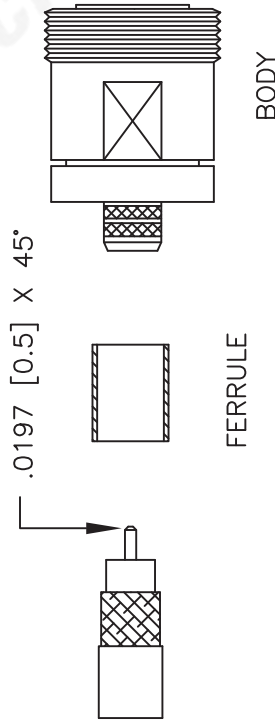
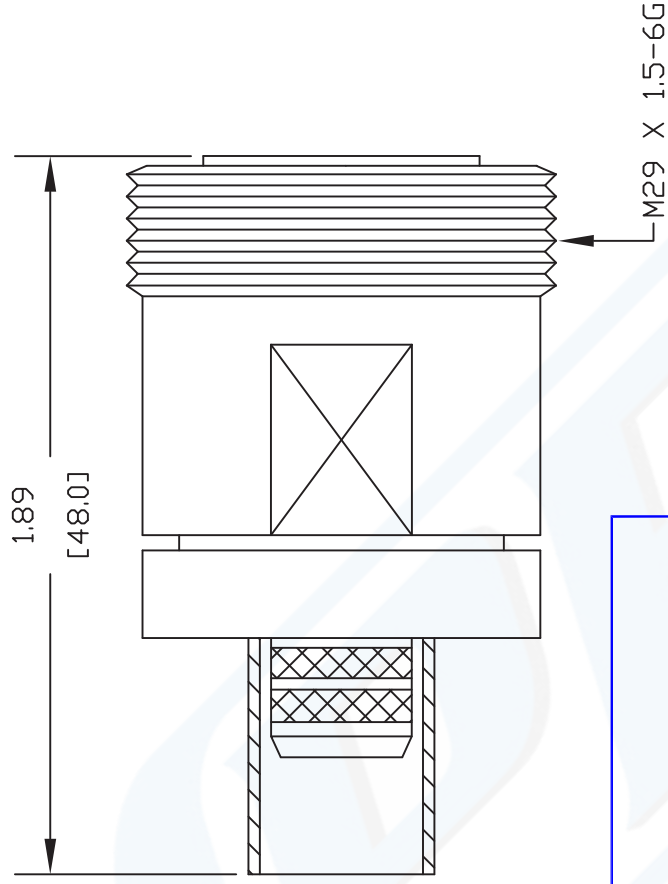
URL: <http://www.pasternack.com/7-16-female-standard-pe-c400-0.400-connector-pe44546-p.aspx>

The information contained in this document is accurate to the best of our knowledge and representative of the part described herein. It may be necessary to make modifications to the part and/or the documentation of the part, in order to implement improvements. Pasternack reserves the right to make such changes as required. Unless otherwise stated, all specifications are nominal.



MATERIALS

BODY	BRASS WHITE BRONZE PLATED
CONTACT	SILVER PLATED
INSULATOR	PTFE



FERRULE

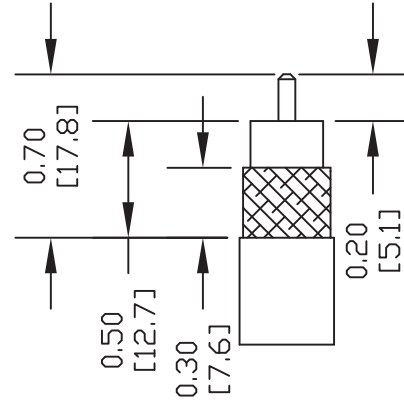
BODY

ASSEMBLY PROCEDURES

1. STRIP CABLE AS SHOWN & CHAMFER CENTER CONDUCTOR.
2. SLIDE FERRULE OVER CABLE. INSTALL CABLE INTO BODY OF CONNECTOR, PUSH UNTIL IT SEATS IN PLACE.
3. SLIDE FERRULE FORWARD AND BUTT AGAINST CONNECTOR SHOULDER, THEN CRIMP FERRULE.

CRIMP SIZE REQUIRED

FERRULE: .429" HEX CRIMP TOOL



STRIPPING DIMENSIONS



PASTERNAK ENTERPRISES, INC.
 P.O. BOX 16759, IRVINE, CA 92623
 PHONE (949) 261-1920 FAX (949) 261-7451
 WEB ADDRESS: www.pasternack.com
 E-MAIL ADDRESS: sales@pasternack.com
COAXIAL & FIBER OPTICS

DWG TITLE

PE44546

DES. 7/16 FEMALE, CRIMP ATTACHMENT FOR
 PE-C400

REV. B	FSCM NO. 53919	CAD FILE 081811	SCALE N/A	SIZE A	2231
--------	----------------	-----------------	-----------	--------	------

- NOTES:
1. UNLESS OTHERWISE SPECIFIED ALL DIMENSIONS ARE NOMINAL.
 2. ALL SPECIFICATIONS ARE SUBJECT TO CHANGE WITHOUT NOTICE AT ANY TIME.
 3. DIMENSIONS ARE IN INCHES [mm].
 4. FITS MIL-C-17 AND EQUIVALENT CABLES.