



10 dB DC Bias Attenuator, TNC Male To TNC Female Passivated  
Stainless Steel Body Rated To 2 Watts From 500 MHz To 2 GHz

TECHNICAL DATA SHEET

PE7063-10

**10 dB DC Bias Attenuator, TNC Male To TNC Female Passivated Stainless Steel Body Rated To 2 Watts From 500 MHz To 2 GHz**

**Configuration**

Design	DC Bias, Bidirectional Attenuator
Connector 1	TNC Male
Connector 2	TNC Female
Body Material and Plating	Passivated Stainless Steel

**Electrical Specifications**

Frequency Range, GHz	0.5 to 2
Impedance, Ohms	50
Attenuation Value, dB	10
Maximum Input Power, Watts	2
Maximum VSWR	1.35:1

**Frequency 1**

Range, GHz	0.5 to 2
VSWR	1.35:1
Attenuation Accuracy, dB	± 2

**Mechanical Specifications**

**Temperature**

Operating Range, deg C	-55 to +125
------------------------	-------------

**Size**

Length, in [mm]	2.45 [62.23]
Width, in [mm]	0.625 [15.88]

**Connector 1**

Type	TNC Male
Connector Specification	MIL-STD-348
Contact Material and Plating	Beryllium Copper, Gold
Coupling Nut Material and Plating	Passivated Stainless Steel
Hex Size, in.	5/8
Torque, in-lbs [Nm]	14 [1.58]
Body Material and Plating	Passivated Stainless Steel

**Connector 2**

Type	TNC Female
Connector Specification	MIL-STD-348
Contact Material and Plating	Beryllium Copper, Gold
Body Material and Plating	Passivated Stainless Steel

Click the following link (or enter part number in "SEARCH" on website) to obtain additional part information including price, inventory and certifications: [10 dB DC Bias Attenuator, TNC Male To TNC Female Passivated Stainless Steel Body Rated To 2 Watts From 500 MHz To 2 GHz PE7063-10](#)

The information contained in this document is accurate to the best of our knowledge and representative of the part described herein. It may be necessary to make modifications to the part and/or the documentation of the part, in order to implement improvements. Pasternack reserves the right to make such changes as required. Unless otherwise stated, all specifications are nominal.





10 dB DC Bias Attenuator, TNC Male To TNC Female Passivated  
Stainless Steel Body Rated To 2 Watts From 500 MHz To 2 GHz

## TECHNICAL DATA SHEET

PE7063-10

**Compliance Certifications** (visit [www.Pasternack.com](http://www.Pasternack.com) for current document)

RoHS Compliant

Yes

**Plotted and Other Data**

Notes:

Values at 25 °C, sea level

10 dB DC Bias Attenuator, TNC Male To TNC Female Passivated Stainless Steel Body Rated To 2 Watts From 500 MHz To 2 GHz from Pasternack Enterprises has same day shipment for domestic and International orders. Our RF, microwave and fiber optic products maintain a 99% availability and are part of the broadest selection in the industry.

Click the following link (or enter part number in "SEARCH" on website) to obtain additional part information including price, inventory and certifications: [10 dB DC Bias Attenuator, TNC Male To TNC Female Passivated Stainless Steel Body Rated To 2 Watts From 500 MHz To 2 GHz PE7063-10](http://www.pasternack.com/10db-dc-bias-tnc-male-tnc-female-2-watts-attenuator-pe7063-10-p.aspx)

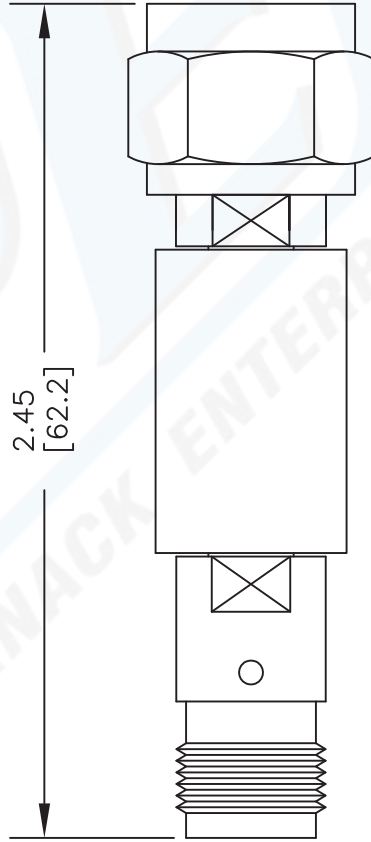
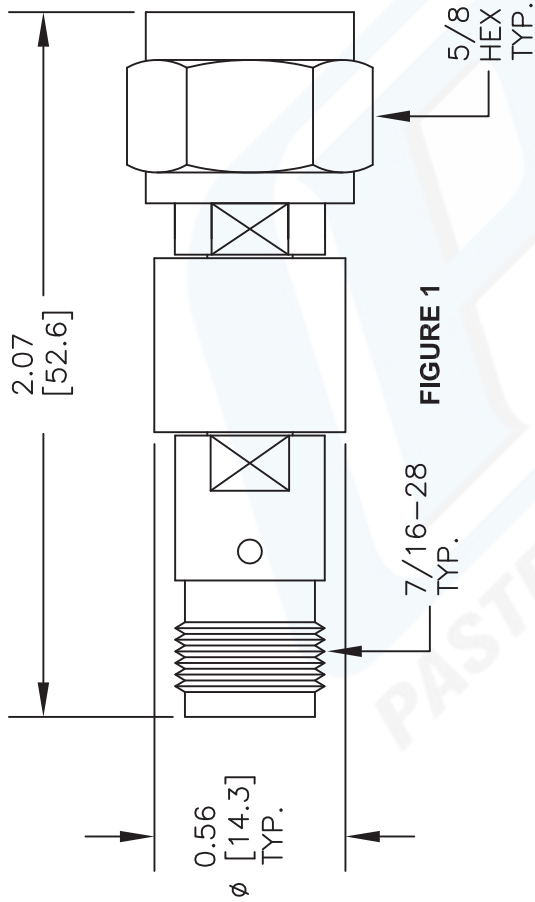
URL: <http://www.pasternack.com/10db-dc-bias-tnc-male-tnc-female-2-watts-attenuator-pe7063-10-p.aspx>

The information contained in this document is accurate to the best of our knowledge and representative of the part described herein. It may be necessary to make modifications to the part and/or the documentation of the part, in order to implement improvements. Pasternack reserves the right to make such changes as required. Unless otherwise stated, all specifications are nominal.

# PE7063-10 CAD Drawing

10 dB DC Bias Attenuator, TNC Male To TNC Female Passivated  
Stainless Steel Body Rated To 2 Watts From 500 MHz To 2 GHz

P/N	ATTEN.	FIGURE
PE7063-6	6 dB	1
PE7063-10	10 dB	1
PE7063-20	20 dB	2



TNC MALE

FIGURE 2

TNC FEMALE

NOTES:  
1. UNLESS OTHERWISE SPECIFIED ALL DIMENSIONS ARE NOMINAL.  
2. ALL SPECIFICATIONS ARE SUBJECT TO CHANGE WITHOUT NOTICE AT ANY TIME.  
3. DIMENSIONS ARE IN INCHES [mm].

DWG TITLE

**PE7063**

FSCM NO. 53919

2233

**PE PASTERNAK®**  
Pasternack Enterprises, Inc.  
P.O. Box 16759 | Irvine | CA | 92623  
Phone: (949) 261-1920 | Fax: (949) 261-7451  
Website: www.pasternack.com | E-Mail: sales@pasternack.com

SIZE A

SCALE N/A

CAD FILE 032013-A