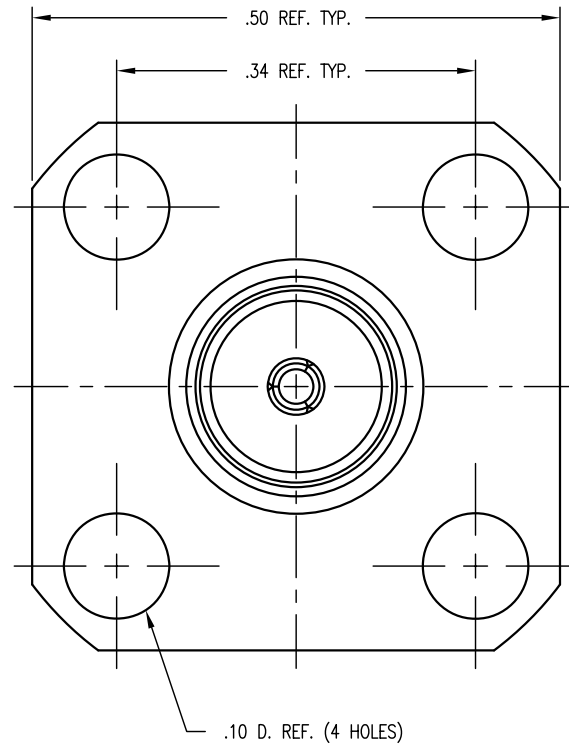
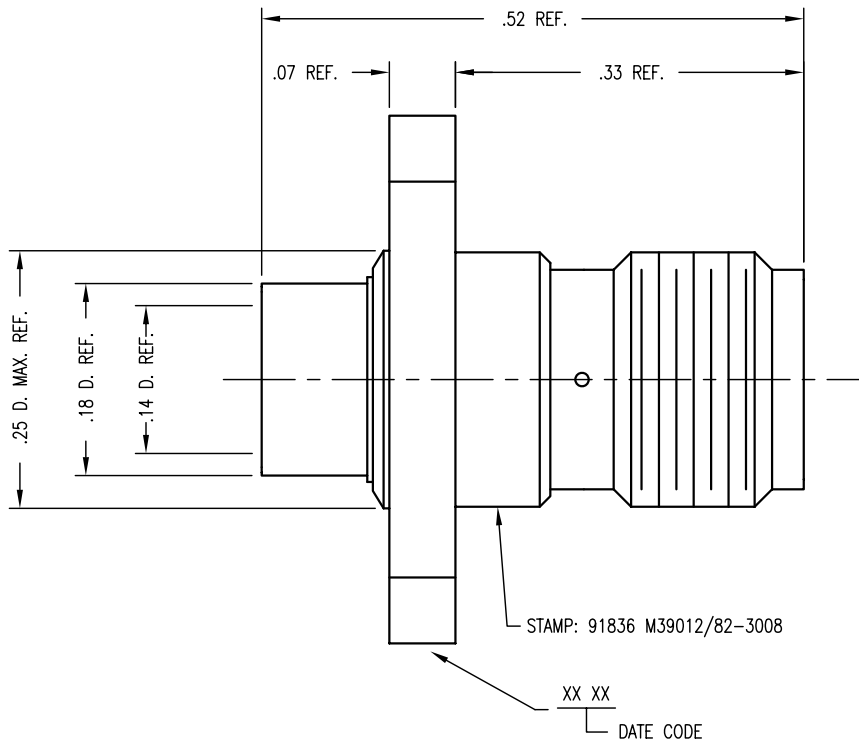


DASH NO.	M CODE	MADE FROM
----------	--------	-----------



NOTES:

- FOR USE WITH RG-402/U (.141 S.R.) CABLE.
- FOR CABLING INSTRUCTIONS SEE 3-482.
- FOR CABLE TRIMMING USE KTO-2.
- INTERFACE PER MIL-STD-348, FIG. 310-2.
- MATERIALS:
INSULATOR: TEFLON, ASTM-D-1457
CENTER CONTACT: BER. COP., ASTM-B-196
ALL OTHER PARTS: STAINLESS STEEL, 303
- FINISHES:
FRONT BODY: PASSIVATE PER QQ-P-35
ALL OTHER METAL PARTS: HARD GOLD PLT. PER MIL-G-45204
- ELECTRICAL CHARACTERISTICS:
NOMINAL IMPEDANCE: 50 OHMS
FREQUENCY RANGE: DC TO 18 GHz

SD871-38-3

REVISIONS	
ISSUE	CHANGES
1	CN 32672 E RESTRICTED USAGE REDRAWN JCA 11/06/90
2	CN 32741 C KH 12/14/90
3	CN 32897 E RESTRICTION REMOVED JCA 02/21/91
E	REVISED PER ER23719 GGR 05/04/2010

871-38-3

CUSTOMER
SALES DRAWING

SCALE	8:1		
APPROX SURFACE AREA			
WAS:	E-14139		
USED ON			
REF:			
JACK, PANEL, SMA M39012/82-3008			
DRAWN	JCA	DATE	11/06/90
DESIGN	GA	DATE	11/08/90
APPR.		DATE	

KINGS
by WINCHESTER ELECTRONICS

Winchester Electronics
62 Barnes Industrial
Road North
Wallingford, CT 06492

SD871-38-3