

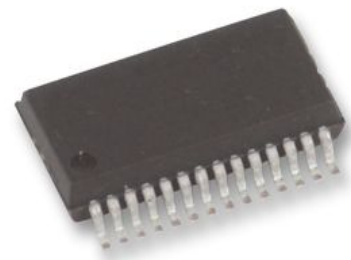


XRT85L61 Bits (Building Integrated Timing Supply) Clock Extractor

General Description:

The XRT85L61 is an integrated E1, T1, 64KHz Centralized Clock interface for T1 (1.544Mbps) 100 Ω , E1 (2.048Mbps) 75 Ω or 120 Ω applications.

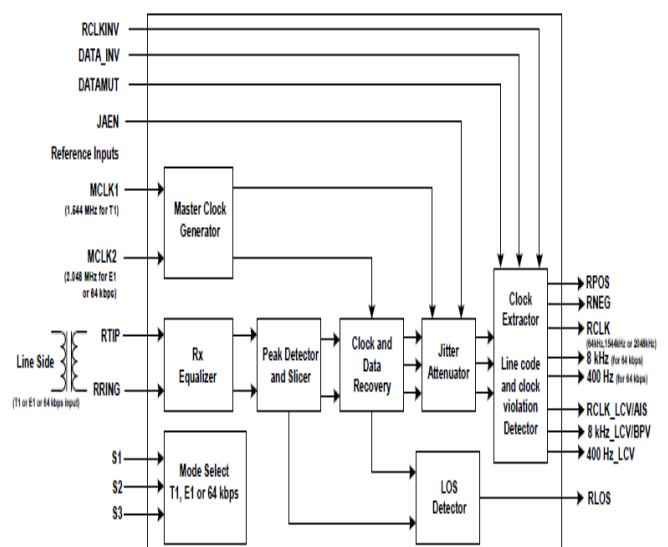
The XRT85L61 extracts either 2048kHz or 1544 kHz clock signals from an E1 (2.048 MHz), T1 (1.544MHz) inputs respectively or 64 KHz, 8kHz or 400 Hz clock signals from the 64kHz reference clock input.



The XRT85L61 includes an on-chip crystal-less jitter attenuator with 32 bit FIFO that can either be enabled or disabled.

Key Features:

- Fully integrated single chip solution for E1, T1 or 64
- kHz clock synchronization applications.
- Extracts 2048 kHz, 1544 kHz clock and data components
- Extracts 64 KHz and 8 kHz, 400 Hz clock information
- Line Code Violation alarms
- On-chip digital clock recovery circuit
- Supports 75W and 120W (E1), 100W (T1) applications.
- Crystal-less digital jitter attenuator with 32-bit FIFO
- that can either be enabled or disabled
- Receive loss of signal (RLOS) output
- Meets Telcordia GR-1244-CORE Section 3.4.1 R3-27 specification



- Meets or exceeds T1 and E1 specifications in ITU
- G.703, G.775
- Single +3.3V Supply Operation
- Logic inputs accept either 3.3 V or 5 V levels
- 28 pin TSSOP package

Applications:

- Universal Clock Synchronization for G.703 Telecom Formats
- T1/E1 Line Receiver with Clock and Data Recovery
- DSLAM

Related Products Information:

Mfr Part #	Farnell #	Newark #	Description
XRT85L611G-F	1798676	24R1960	Bits (Building Integrated Timing Supply) Clock Extractor - 28 Lead TSSOP package