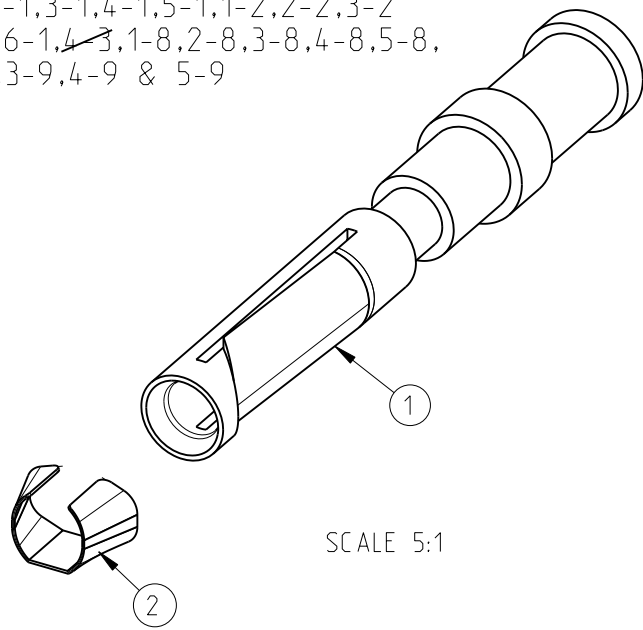
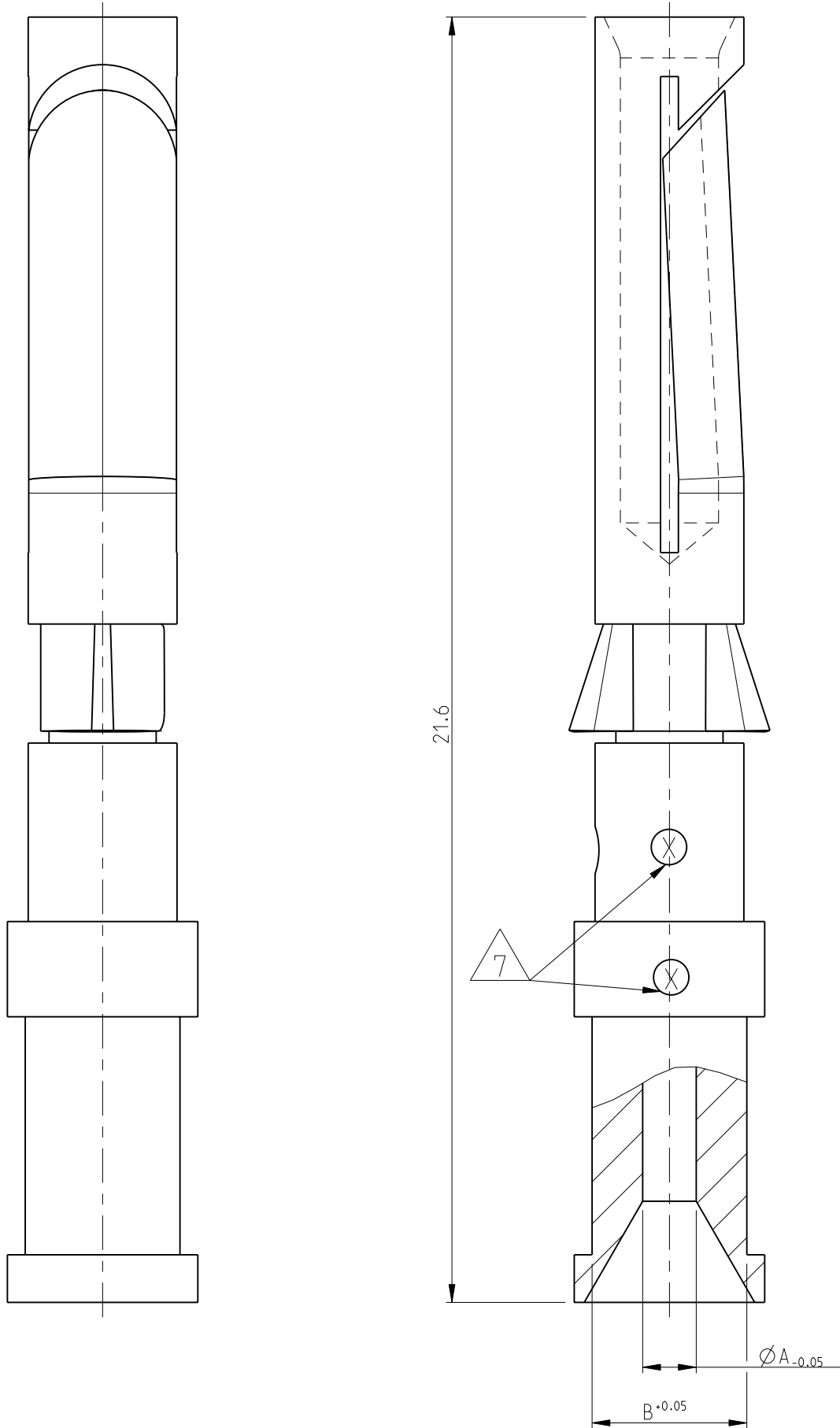


THIS DRAWING IS UNPUBLISHED. RELEASED FOR PUBLICATION 1997  
 © COPYRIGHT 1997 ALL RIGHTS RESERVED.

PN 1-1.2-1.3-1.4-1.5-1.1-2.2-2.3-2  
 4-2.5-2.6-1.4-3.1-8.2-8.3-8.4-8.5-8.  
 4-9.2-9.3-9.4-9 & 5-9

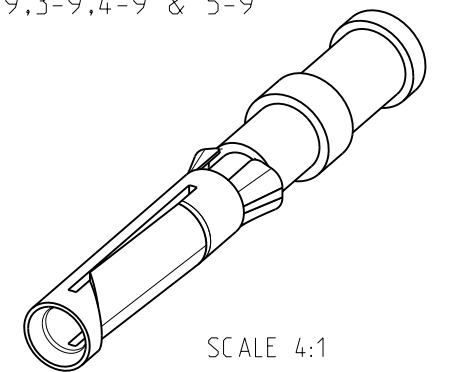


PN 1-1.2-1.3-1.4-1.5-1.1-2.2-2.3-2  
 4-2.5-2.6-1.4-3.1-8.2-8.3-8.4-8.5-8.  
 4-9.2-9.3-9.4-9 & 5-9



- NOTES
- 1 MATERIAL SEE TABLE
  - 2 SURFACE SEE TABLE
  - 3 ASSEMBLY WEIGHT SEE TABLE
  - 4 PACKAGING: 50 PIECES IN POLY-BAG 0-1243085-8
  - 5 PACKAGING: 500 PIECES IN POLY-BAG 0-1243085-8
  - 6 PACKAGING: 10 PIECES IN POLY-BAG 0-1243085-8
  - 7 CROSS-SECTION MARKING

PN 1-1.2-1.3-1.4-1.5-1.1-2.2-2.3-2  
 4-2.5-2.6-1.4-3.1-8.2-8.3-8.4-8.5-8.  
 4-9.2-9.3-9.4-9 & 5-9



QTY	DESCRIPTION	WEIGHT IN (Kg)	MATERIAL	SURFACE	ØA	ØB	CROSS SECTION MARKING	POS
1	Catch Spring		Stainless Steel					2
1	Socket Contact 1.5 mm <sup>2</sup>	0.00062	Brass	Ag/Ni	1.8	3.0		4
1	Socket Contact 4.0 mm <sup>2</sup>	0.00059	Brass	Ag/Ni	2.4	3.2		6
1	Socket Contact 2.5 mm <sup>2</sup>	0.00067	Brass	Au	2.2	3.2		5
1	Socket Contact 1.5 mm <sup>2</sup>	0.00067	Brass	Au	1.8	3.0		4
1	Socket Contact 0.75-10 mm <sup>2</sup>	0.00063	Brass	Au	1.45	2.6		3
1	Socket Contact 0.5 mm <sup>2</sup>	0.00062	Brass	Au	1.1	2.6		2
1	Socket Contact 0.14-0.37 mm <sup>2</sup>	0.00061	Brass	Au	0.9	2.6		1
1	Socket Contact 2.5 mm <sup>2</sup>	0.00065	Brass	Ag/Cu	2.2	3.2		5
1	Socket Contact 1.5 mm <sup>2</sup>	0.00067	Brass	Ag/Cu	1.8	3.0		4
1	Socket Contact 0.75-10 mm <sup>2</sup>	0.00063	Brass	Ag/Cu	1.45	2.6		3
1	Socket Contact 0.5 mm <sup>2</sup>	0.00062	Brass	Ag/Cu	1.1	2.6		2
1	Socket Contact 0.14-0.37 mm <sup>2</sup>	0.00061	Brass		0.9	2.6		1
1	Socket Contact 0.14-0.37 mm <sup>2</sup>	0.00065	Fe	Au	0.9	2.6		1
1	Socket Contact 0.14-0.37 mm <sup>2</sup>	0.00067	Brass	Ag/Cu	0.9	2.6		1

THIS DRAWING IS A CONTROLLED DOCUMENT.

DWN: Braun 23.07.1997  
 CHK: Schnurpfeil 23.07.1997  
 APVD: -

PRODUCT SPEC: 108-74018  
 APPLICATION SPEC: 114-74015  
 WEIGHT: -

NAME: SOCKET CONTACT SERIES HN.D  
 SIZE: A2  
 CAGE CODE: 00779  
 DRAWING NO: C=1105051  
 RESTRICTED TO: -

CUSTOMER DRAWING SCALE: 10:1 SHEET: 1 OF 1 REV: B4