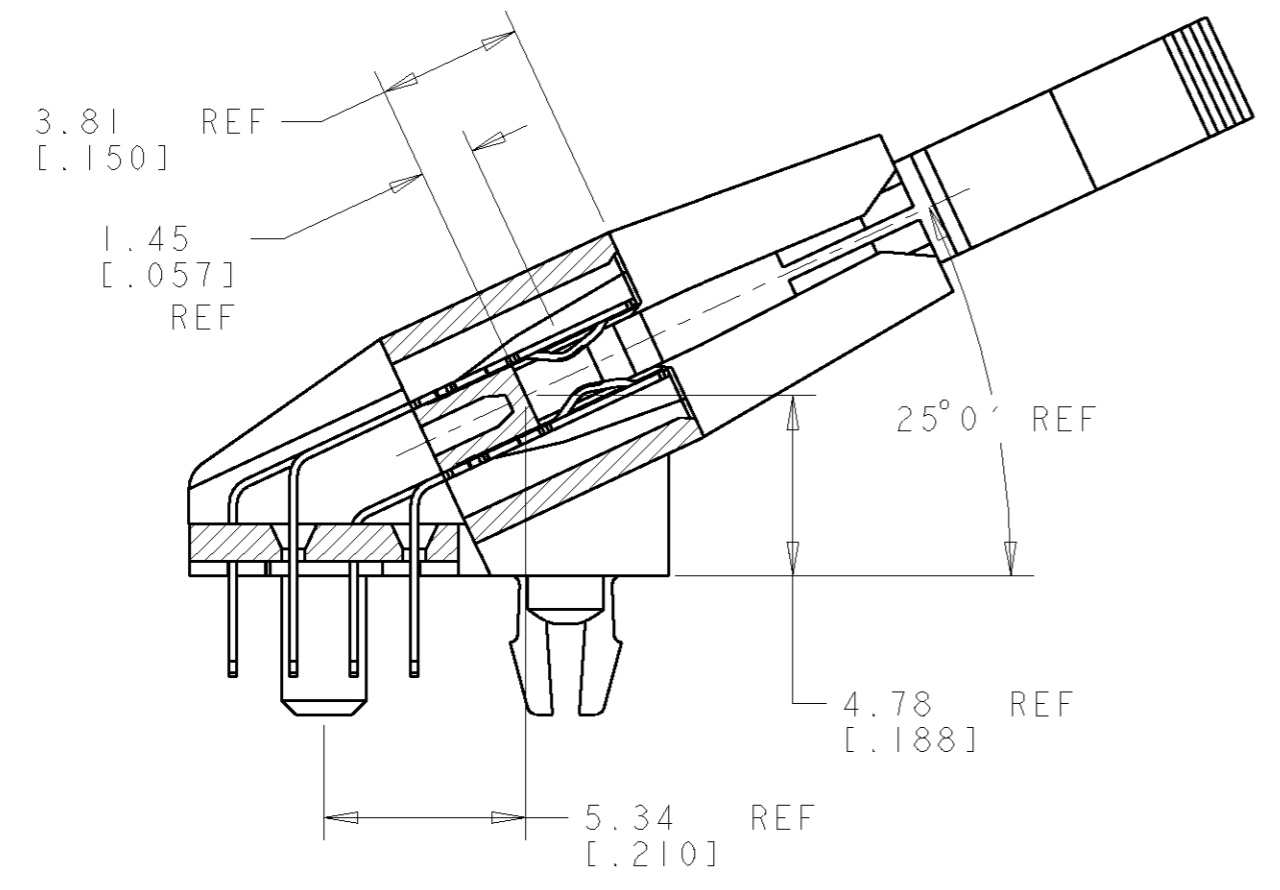
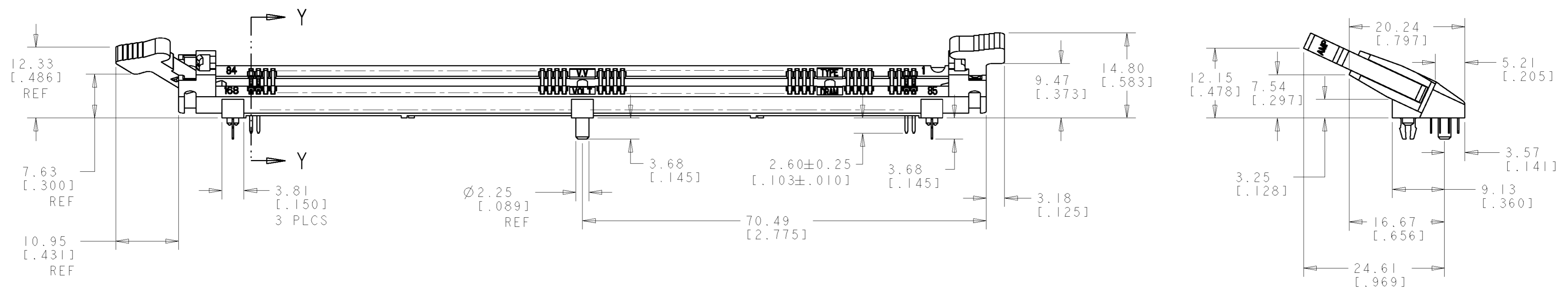
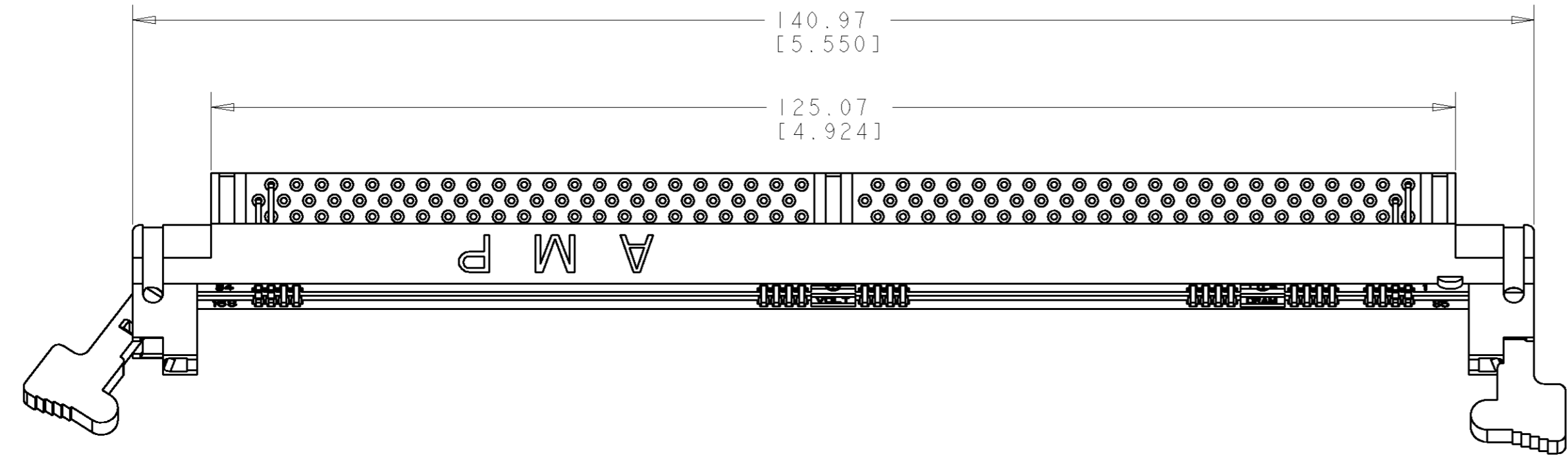


THIS DRAWING IS UNPUBLISHED. RELEASED FOR PUBLICATION 20
 © COPYRIGHT 20 BY TYCO ELECTRONICS CORPORATION. ALL RIGHTS RESERVED.

LOC	DIST	REVISIONS					
GP	0	P	LTR	DESCRIPTION	DATE	DWN	APVD
		A		RELEASED PER EC 0S12-0488-04	10JAN05	MY	SB
		B		REVISED PER EC 0S11-0007-05	14FEB05	MY	SB

- NOTES:
- MATERIAL:
 HOUSING AND EJECTOR:
 HIGH TEMPERATURE NYLON
 CONTACT:
 PHOSPHOR BRONZE
 - FINISH:
 CONTACT AREA:
 0.00076[.000030] MIN THICK GOLD
 0.00381[.000150] MIN THICK NICKEL
 SOLDER TAIL:
 0.00381[.000150] MIN THICK MATTE TIN OVER
 0.00064[.000025] MIN THICK NICKEL
 - MODULE BOARD PADS:
 FOR OPTIMUM PERFORMANCE PADS SHOULD BE SMOOTH AND FLAT
 PADS TO BE PLATED WITH:
 0.00102[.000040] MIN THICK GOLD OVER
 0.00127[.000050] MIN THICK NICKEL



SECTION Y-Y
 SCALE 5:1

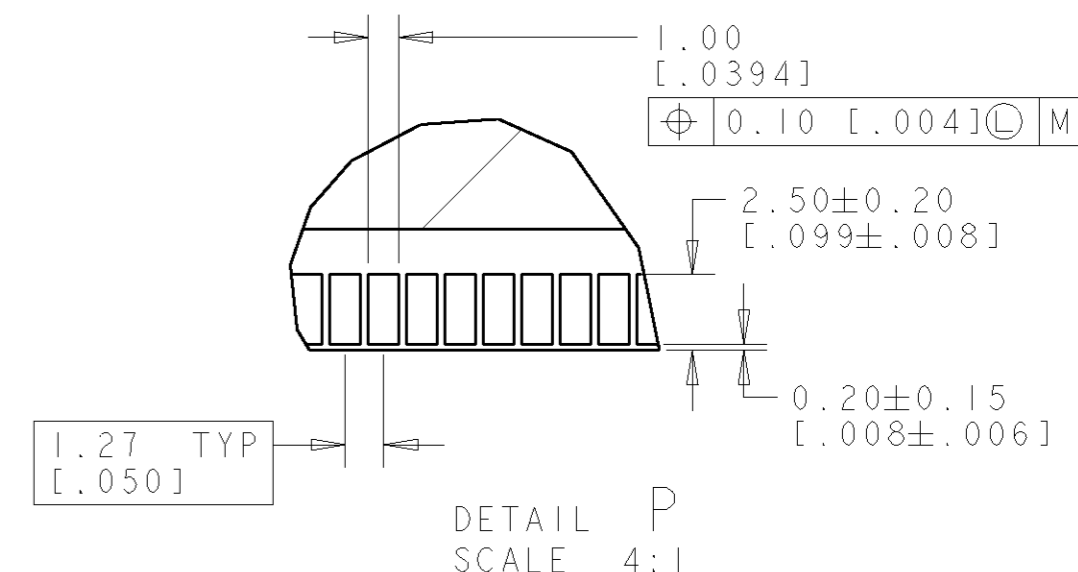
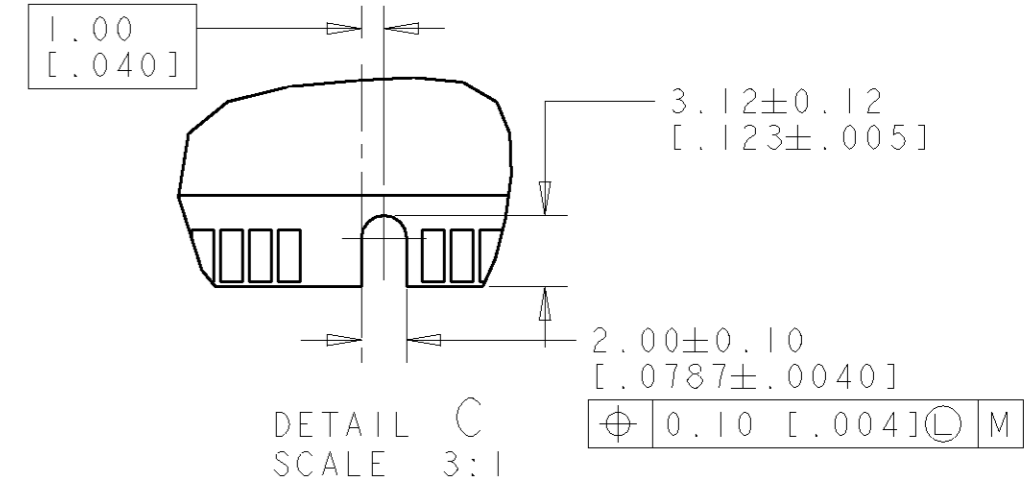
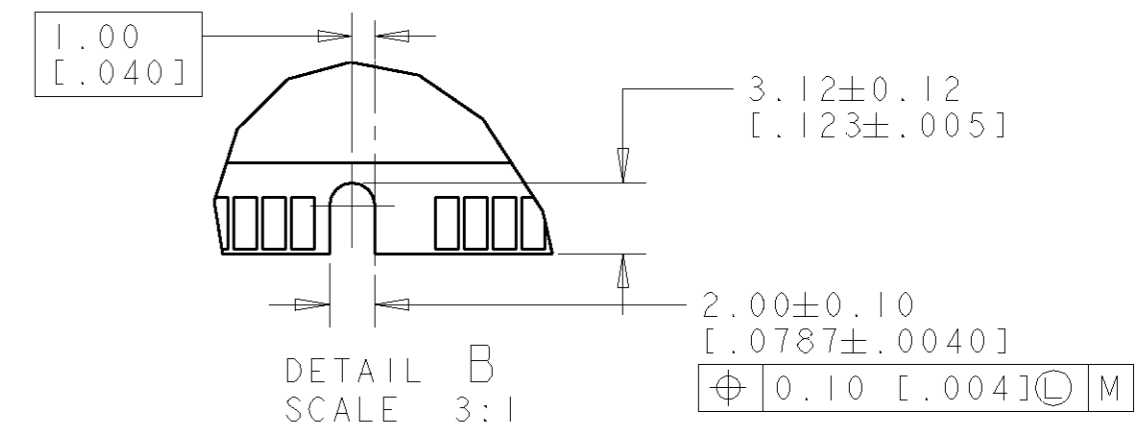
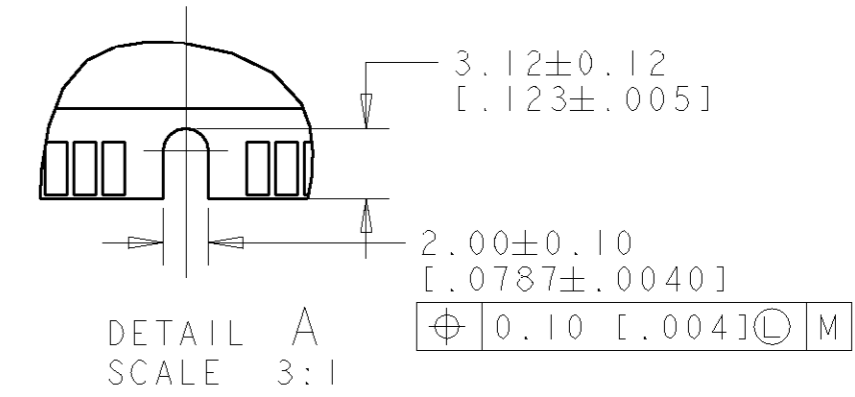
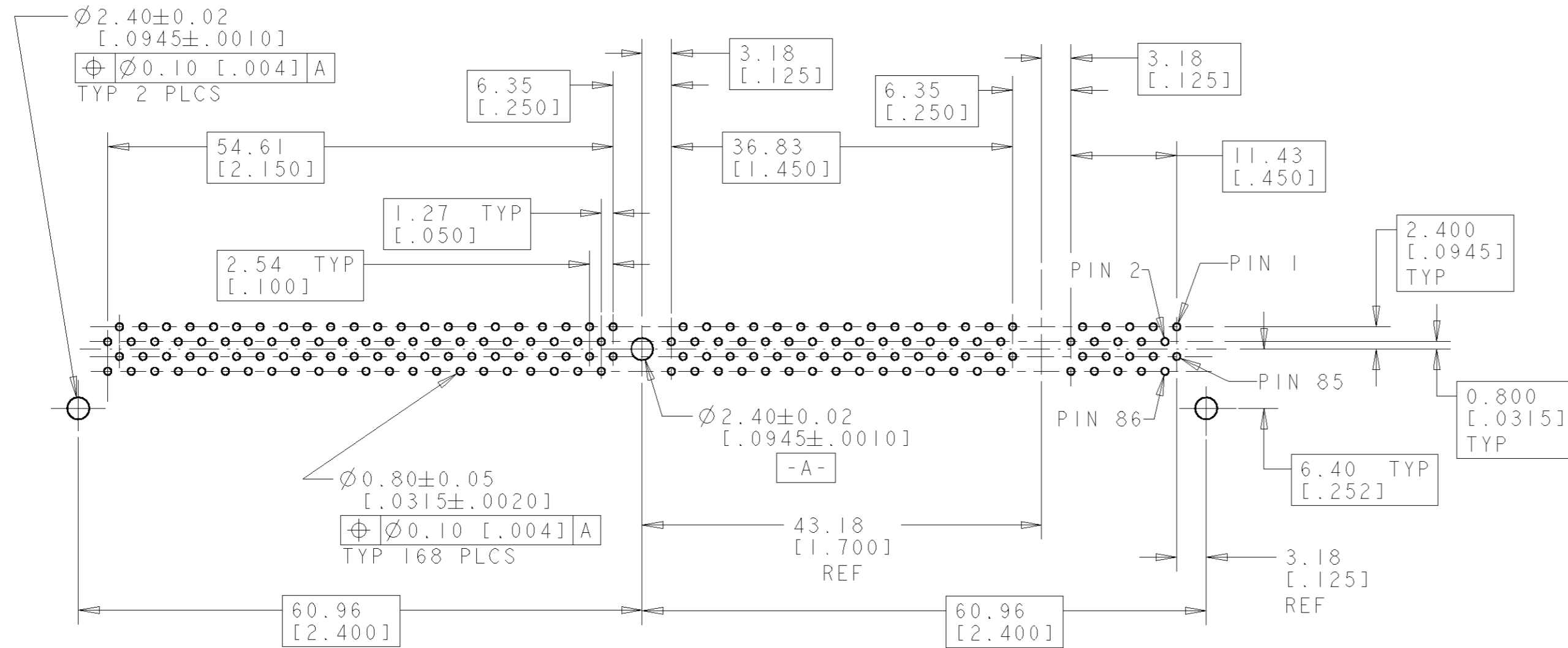
DETAIL C	DETAIL A	NON-BUFFERED DRAM, 3.3 VOLT	5390170-6
FUNCTION KEY #1	VOLTAGE KEY #2	PART DESCRIPTION	PART NUMBER

THIS DRAWING IS A CONTROLLED DOCUMENT FOR TYCO ELECTRONICS CORPORATION IT IS SUBJECT TO CHANGE AND THE CONTROLLING ENGINEERING ORGANIZATION SHOULD BE CONTACTED FOR THE LATEST REVISION.		DWN M. YEOMANS 10JAN05 CHK M. YEOMANS 10JAN05 APVD S. BURKHOLDER 10JAN05	tyco Electronics Tyco Electronics Harrisburg, PA 17105-3608
DIMENSIONS: mm [INCHES]	TOLERANCES UNLESS OTHERWISE SPECIFIED: 0 PLC ± 1 PLC ± 2 PLC ±0.13[.005] 3 PLC ± 4 PLC ± ANGLES ± FINISH	NAME PRODUCT SPEC APPLICATION SPEC WEIGHT	NAME SOCKET ASSEMBLY, 168 POSITION, CENTER PLASTIC POST 2.60[.103] SOLDER TAIL, LOW PROFILE DIMM 2 P SIZE CAGE CODE DRAWING NO RESTRICTED TO
MATERIAL		WEIGHT CUSTOMER DRAWING	A2 00779 G-5390170 SCALE 2:1 SHEET 1 OF 3 REV B

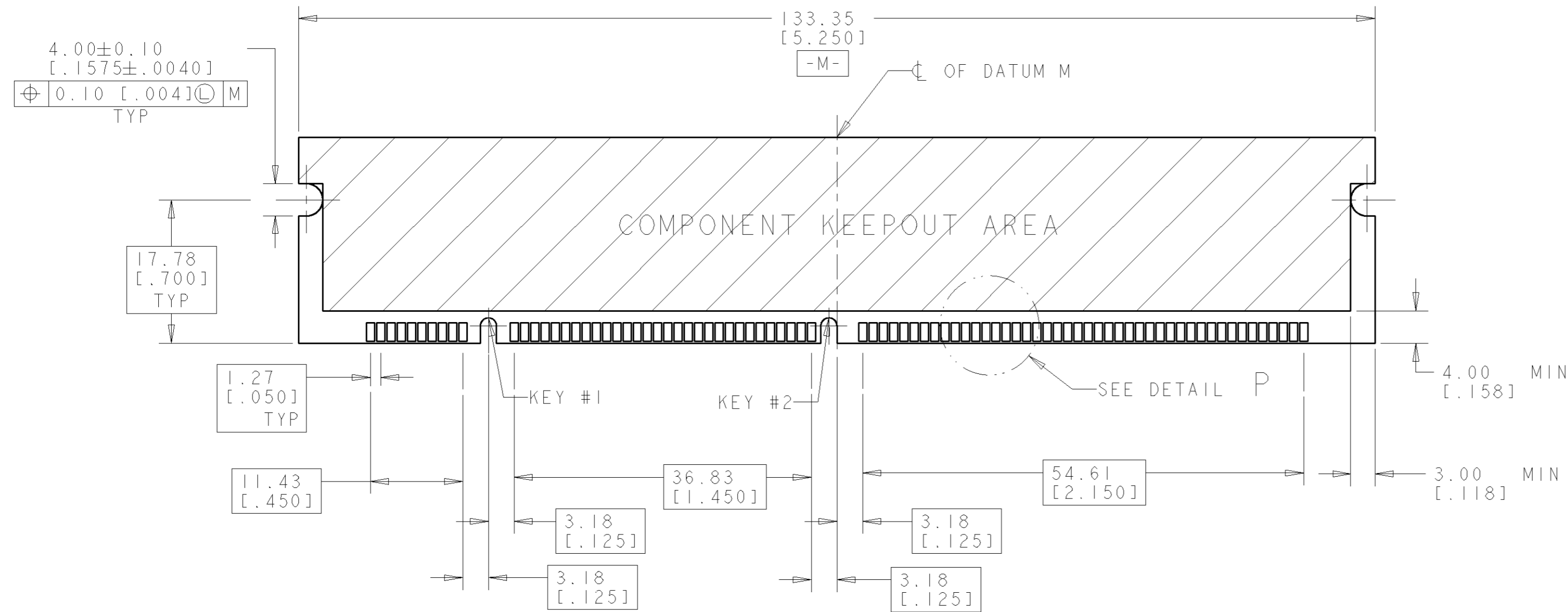
5390170

THIS DRAWING IS UNPUBLISHED. RELEASED FOR PUBLICATION 20
 © COPYRIGHT 20 BY TYCO ELECTRONICS CORPORATION. ALL RIGHTS RESERVED.

LOC	DIST	REVISIONS					
GP	0	P	LTR	DESCRIPTION	DATE	DWN	APVD
		-		SEE SHEET 1			



RECOMMENDED CIRCUIT BOARD HOLE LAYOUT



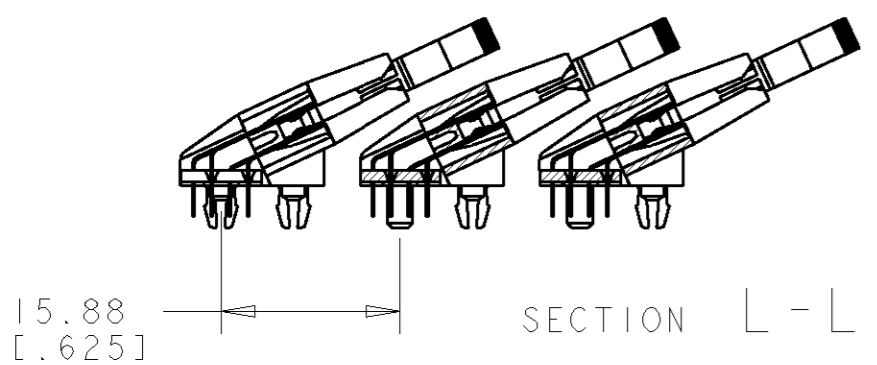
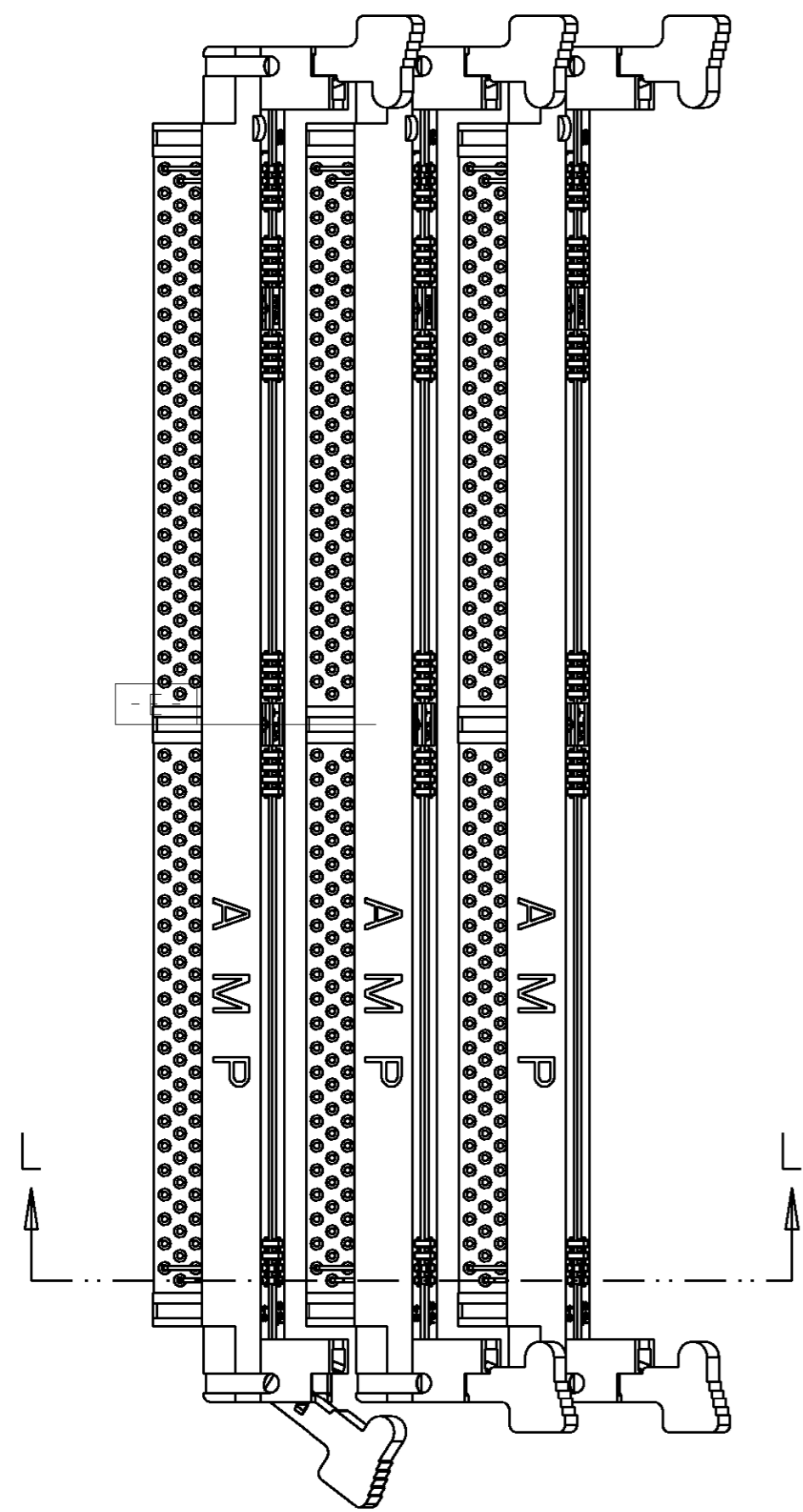
RECOMMENDED MODULE LAYOUT

SEE JEDEC SPEC. MO-161 FOR COMPLETE MODULE DETAILS
 1.27 ± 0.10 [0.050 ± 0.004] THICK ACROSS CONTACT PADS

THIS DRAWING IS A CONTROLLED DOCUMENT FOR TYCO ELECTRONICS CORPORATION. IT IS SUBJECT TO CHANGE AND THE CONTROLLING ENGINEERING ORGANIZATION SHOULD BE CONTACTED FOR THE LATEST REVISION.		DWN M. YEOMANS 10JAN05	tyco Electronics Tyco Electronics Harrisburg, PA 17105-3608	
DIMENSIONS: mm [INCHES]		CHK M. YEOMANS 10JAN05	NAME SOCKET ASSEMBLY, 168 POSITION, CENTER PLASTIC POST 2.60 [0.103] SOLDERTAIL, LOW PROFILE DIMM 2 P	
TOLERANCES UNLESS OTHERWISE SPECIFIED: 0 PLC ± 1 PLC ± 2 PLC ±0.13 [0.005] 3 PLC ± 4 PLC ± ANGLES ± FINISH		APVD S. BURKHOLDER 10JAN05	SIZE A2	
MATERIAL		PRODUCT SPEC	CAGE CODE 00779	DRAWING NO. 5390170
		APPLICATION SPEC	RESTRICTED TO	
		WEIGHT	SCALE 1:1	SHEET 2 OF 3
		CUSTOMER DRAWING	REV B	

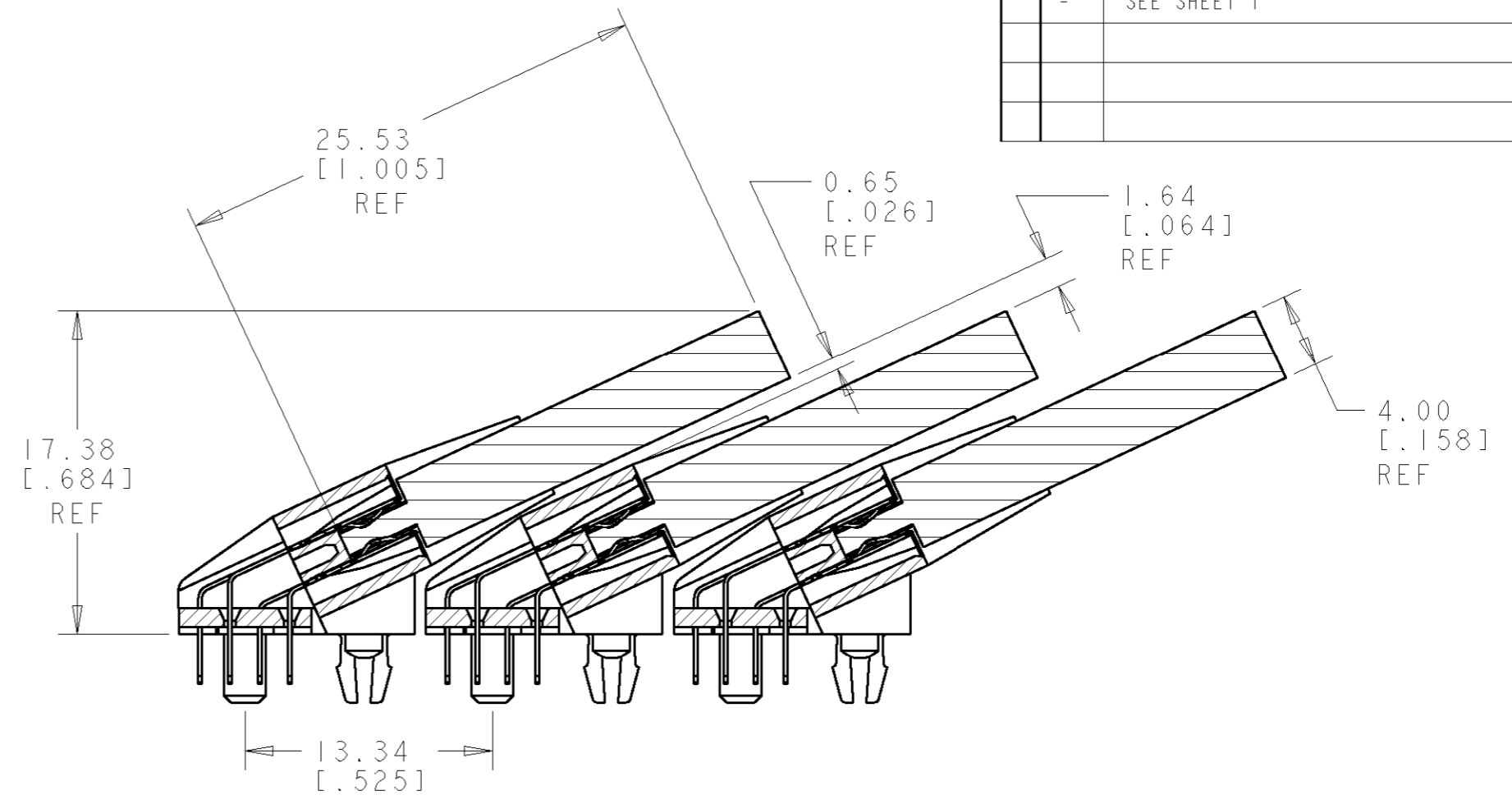
THIS DRAWING IS UNPUBLISHED. RELEASED FOR PUBLICATION 20
 © COPYRIGHT 20 BY TYCO ELECTRONICS CORPORATION. ALL RIGHTS RESERVED.

LOC	DIST	REVISIONS			
P	LTR	DESCRIPTION	DATE	DWN	APVD
GP	0	SEE SHEET 1	-	-	-



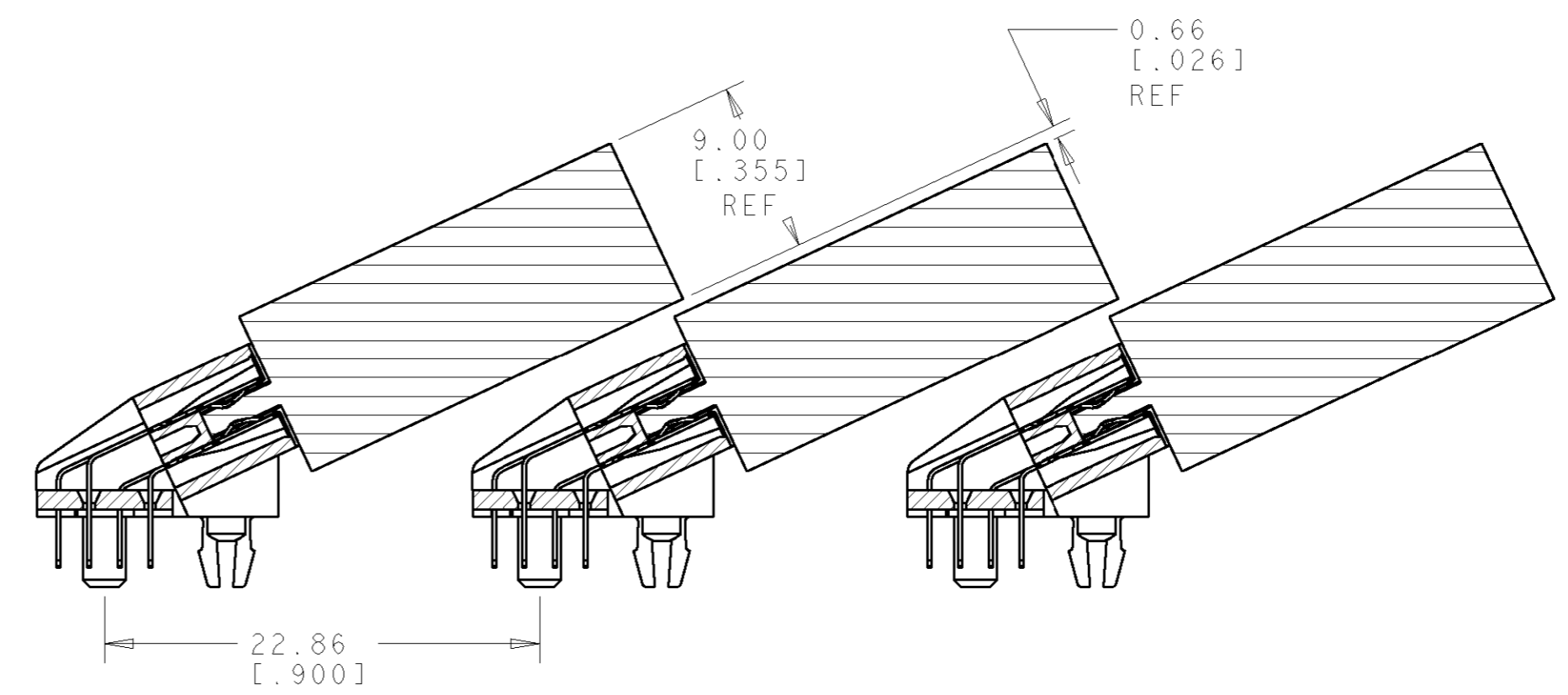
MINIMUM REPAIRABLE SOCKET TO SOCKET SPACING

WITH THE MODULES REMOVED, SOCKETS ON 15.88 [0.625] OR GREATER SPACING CAN BE INDIVIDUALLY UNSOLDERED FROM THE BOARD AND REMOVED IF NECESSARY.



MINIMUM SOCKET TO SOCKET SPACING

WITH A 4.00 [0.158] WIDE MODULE BOARD, A SOCKET TO SOCKET SPACING OF 13.34 [0.525] WILL LEAVE APPROXIMATELY 0.65 [0.026] OF CLEARANCE BETWEEN THE MODULE AND THE NEXT SOCKET BODY. THIS SPACING MAY OR MAY NOT BE SUITABLE DEPENDING ON YOUR MINIMUM GAP REQUIREMENTS.



POSSIBLE SOCKET TO SOCKET SPACING FOR 9MM MODULE

WITH A 9.00 [0.355] WIDE MODULE BOARD, A SOCKET TO SOCKET SPACING OF 22.86 [0.900] WILL LEAVE APPROXIMATELY 0.66 [0.026] CLEARANCE BETWEEN THE ADJACENT MODULES. THIS SPACING MAY OR MAY NOT BE SUITABLE DEPENDING ON YOUR MINIMUM GAP REQUIREMENTS.

THIS DRAWING IS A CONTROLLED DOCUMENT FOR TYCO ELECTRONICS CORPORATION. IT IS SUBJECT TO CHANGE AND THE CONTROLLING ENGINEERING ORGANIZATION SHOULD BE CONTACTED FOR THE LATEST REVISION.		DWN M. YEOMANS 10JAN05	Tyco Electronics Harrisburg, PA 17105-3608	
DIMENSIONS: mm [INCHES]		CHK M. YEOMANS 10JAN05	NAME SOCKET ASSEMBLY, 168 POSITION, CENTER PLASTIC POST 2.60 [0.103] SOLDERTAIL, LOW PROFILE DIMM 2 P	
TOLERANCES UNLESS OTHERWISE SPECIFIED: 0 PLC ± 1 PLC ± 2 PLC ±0.131 [0.005] 3 PLC ± 4 PLC ± ANGLES ± FINISH		APVD S. BURKHOLDER 10JAN05	RESTRICTED TO	
MATERIAL		PRODUCT SPEC	SIZE A2	CAGE CODE 00779
		APPLICATION SPEC	DRAWING NO 5390170	REV B
		WEIGHT	SCALE 2:1 SHEET 3 OF 3	
		CUSTOMER DRAWING		

5390170