

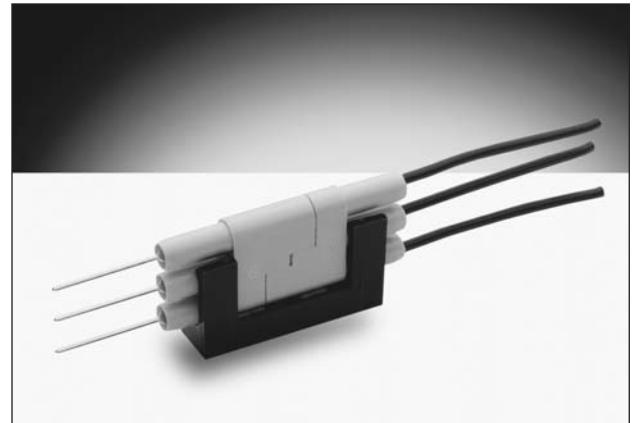
## Series 8020 – Cable Connector

### APPLICATION

In line connection of 2 or 3 wire of 18-26 AWG, insulation  $\phi$ 1.03 mm to 1.88 mm.

### FEATURES AND BENEFITS

- 2 and 3 position in single row
- Uses identical molding for plug and socket
- Uses identical contact for plug and socket
- Uses standard Varicon 8016 contacts
- Uses standard Varicon Crimping Tools, Contact Extraction Tools and Insertion Tools
- Has combined nylon mounting and locking clip common to both sizes
- Contacts for both solder and crimp termination



### TECHNICAL SPECIFICATIONS

**Contact:**

Single row of 2 or 3 Varilok contacts

**Contact Rating:**

8.5 amperes

**Insulation Resistance:**

5,000 megohms (min)

**Configuration:**

On a 0.200 inch pitch, 5.08 mm

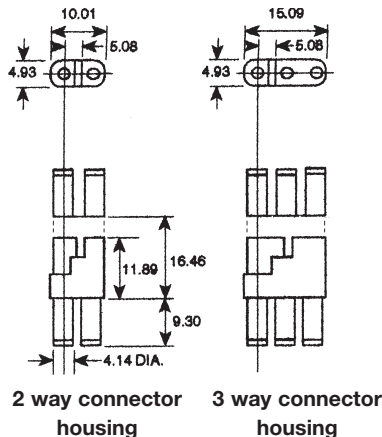
**Contact Resistance:**

6 milliohms (max)

**Voltage Proof:**

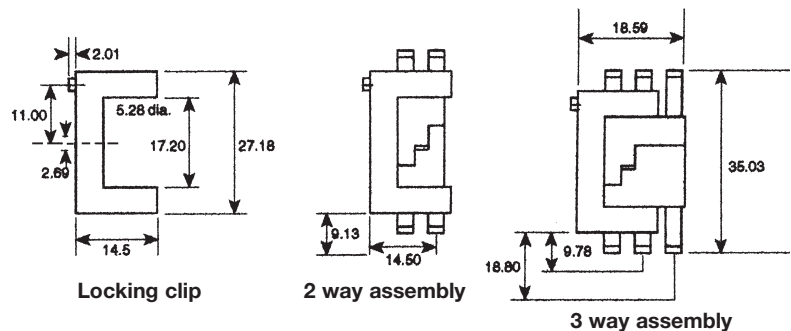
2,500 volts R.M.S. Sea Level

### CONNECTOR DIMENSIONS (mm)



### LOCKING CLIP DIMENSIONS (mm)

P/N 608020321000000



### ORDERING CODE FOR COMPLETE CONNECTORS WITH NON-CRIMP CONTACTS FITTED

<b>00</b>	<b>8020</b>	<b>002</b>	<b>217</b>	<b>001</b>
Prefix	Series Number	Number of Contacts	*Contact Termination	Variation Code
		002 = Two way 003 = Three way	000 = Crimp Contacts (Ordered Separately) 217 = Solder Tag 218 = Wire Wrap (0.61 x 1.27 x 14.4mm) 296 = Mini Wire Wrap (0.61 x 0.66 x 4.73mm) 504 = Solder Tail (0.61 x 0.66 x 4.32mm)	

\*Contact terminations should be insulated because they may protrude from the insulator.

NB: See page 25 for details of contacts.

### ORDERING CODE FOR HOUSINGS AND CRIMP CONTACTS

Description	Part Number	Description	Part Number
2 way connector: Housing only	60-8020-3117-00-000	0.25 $\mu$ M Gold reeled crimp contacts (gold all over)	60-8017-0323-99-339
3 way connector: Housing only	60-8020-3317-00-000	0.25 $\mu$ M Gold reeled crimp contacts (selective)	60-8017-0323-99-042
0.25 $\mu$ M Gold loose crimp contacts (gold all over)	60-8017-0313-00-339	NB: See page 25 for details of crimp contacts	
0.25 $\mu$ M Gold loose crimp contacts (selective)	60-8017-0313-00-042	Locking clip	60-8020-3210-00-000