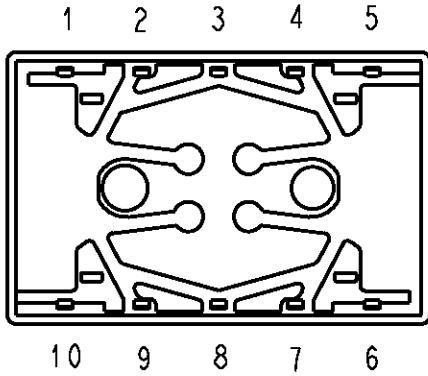
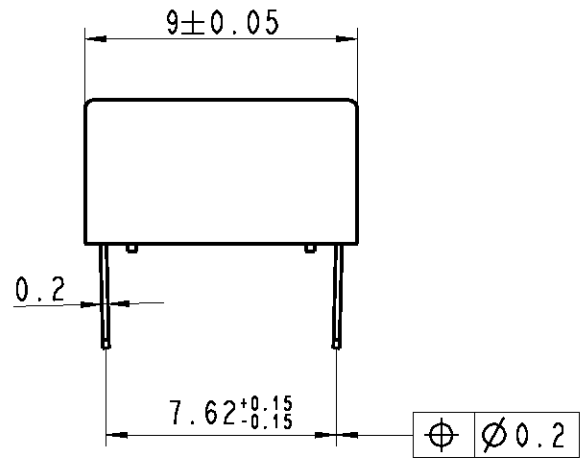
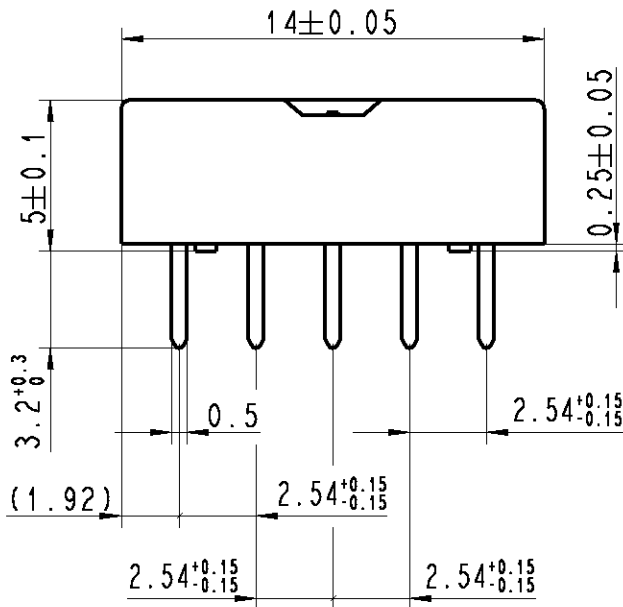


LOC	DIST	REVISIONS					
HJ	-	P	LTR	DESCRIPTION	DATE	DWN	APVD
			A4	REVISED PER ECO-11-005150	23MAR11	RK	HMR



Relay - bottom view



1242010800023
AXICOM SWISS
 FP2 Dxxxx
 zzV YYWW

xxxx = Relay type
 zz = nominal voltage
 YYWW = Date code

DRAWING ALIAS D02239-DOK51

RELEASED FOR PUBLICATION

ALL RIGHTS RESERVED.

THIS DRAWING IS UNPUBLISHED.

BY -
 © COPYRIGHT

DIMENSIONS: mm		DWN AB 9124	23Aug1995	MATERIAL	-	FINISH	-
TOLERANCES UNLESS OTHERWISE SPECIFIED: DIN 7168-m		CHK HD 9121	23Aug1995	TE Connectivity			
		APVD HD 9121	23Aug1995				
0 PLC ±- 1 PLC ±- 2 PLC ±- 3 PLC ±- 4 PLC ±- ANGLES ±-		PRODUCT SPEC		NAME FP2-Relay Dimensions			
		APPLICATION SPEC		SIZE	CAGE CODE	DRAWING NO	RESTRICTED TO
		WEIGHT		A4	00779	C-1462033-2	-
CUSTOMER DRAWING				SCALE	4:1	SHEET	1 OF 1
				REV A4			

