

6

5

4

3


2

1

MATERIAL AND FINISH

Insulator: PC (Polycarbonate), black,
UL-94V-2 rated
Contacts: Bronze, Tin plated

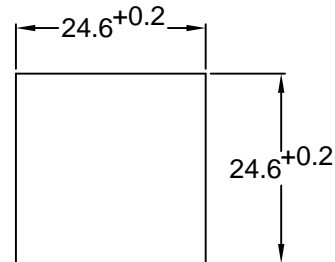
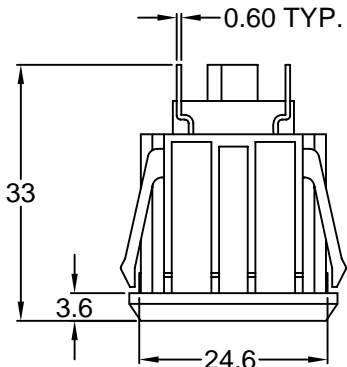
ELECTRICAL SPECIFICATIONS:

Current rating: 15 A
Voltage rating: 125 VAC 
Insulation resistance: 1000 Mohm min. at 500 VDC
Dielectric withstanding voltage: 1500 VAC for one minute
Contact resistance: 30 mohm max.

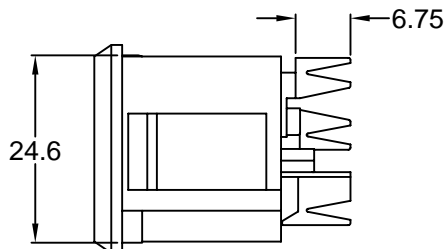
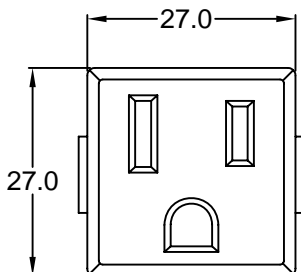
ENVIRONMENTAL:

Operating Temperature: 70°C

RoHS
COMPLIANT



RECOMMENDED PANEL
CUTOUT
PANEL THICKNESS
RANGE 0.8 ~ 1.6 MAX.



REVISIONS

REV	DATE	CHANGE	CHNG	CHK	APPR
A	5/94	REVISED DRAWING	JA	AH	SS
B	12/22/99	REVISED DIM. & SPECS.	PB	SS	SS
C	10/26/01	REVISED / REDRAWN	GO	TD	PB
D	8/24/05	VOLTAGE WAS 250	PB		

TOLERANCE UNLESS OTHERWISE SPECIFIED	
X	± 1
X.X	± 0.4
X.XX	± 0.20
DRAWN BY	JA
DATE:	5/9/94
CHECK BY	AH
DATE:	5/10/94
APPR BY	SS
DATE:	5/10/94

Power Dynamics, Inc.
 Phone: 973 560-0019 Whippany, New Jersey Fax: 973 560-0076

PART: NORTH AMERICAN NEMA 5-15R; SINGLE
 SOCKET, V-SLOT TERMINALS

PD-15

PART #: PD-15

SIZE: A
 SCALE: NTS

ALL DIMENSIONS FOR REFERENCE ONLY
 DIMENSIONS ARE IN MILLIMETERS

SHEET 1 of 1
 REV: D

6

5

4

3

2

1