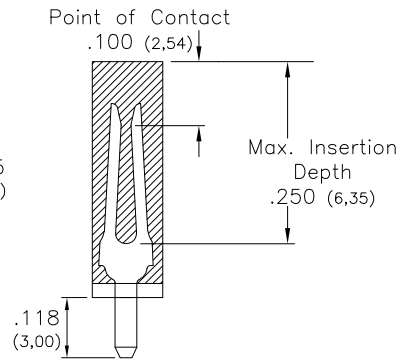
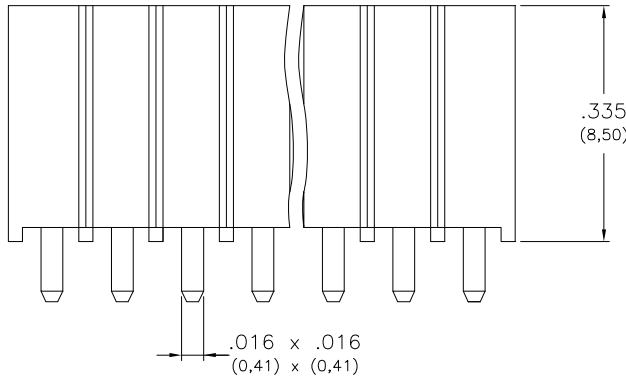
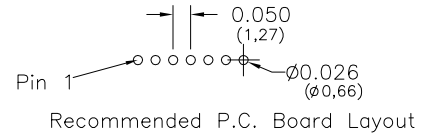
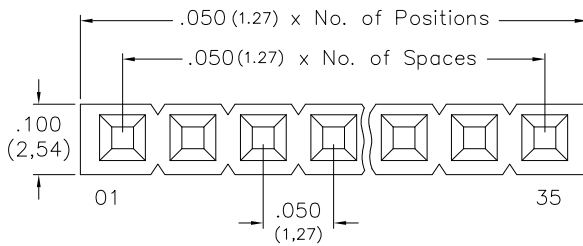


# Major League Electronics .050x.100 cl Socket Strips - Straight



Tails may be clipped to achieve desired pin length

## Ordering Information

SSHS-6  - S - 01 -  -  - LF

Pins Per Row  
01 - 35  
Row Specification  
S = Single Row

Lead Free

Polarized Position  
Leave blank if not needed  
If required, specify empty pin position, e.g. 012 for Pin 12

Pin Options				
Length		Tail Length		
.335	8.50mm	.118	3.00mm	01

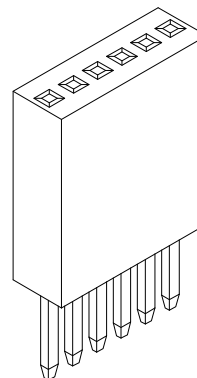
Plating Options	
G	10μ Gold on Contact Area / Flash on Tail
T	Matte Tin All Over
GT	10μ Gold on Contact Area / Matte Tin on Tail
H	30μ Gold on Contact Area / Matte Tin on Tail
F	Gold Flash over Entire Pin

## Specifications

Insertion Depth: .135 (3.43) to .250 (6.35)  
 Insertion Force - Per Contact - H Plating:  
 8.0oz. (2.22N) avg. with .018 (0.46) sq. pin  
 Withdrawal Force - Per Contact - H Plating:  
 6.0 oz. (1.67N) avg. with 0.18 (0.46) sq. pin  
 Current Rating: 1.0 Ampere  
 Insulation Resistance: 1000MΩ Min.  
 Dielectric Withstanding: 300V AC  
 Contact Resistance: 20 mΩ Max.  
 Operating Temperature: -40°C to + 105°C  
 Max. Process Temperature:  
 Peak: 260°C up to 10 secs.  
 Process: 230°C up to 60 secs.  
 Wave: 260°C up to 6 secs.  
 Manual Solder: 350°C up to 5 secs.

## Materials

Contact Material: Phosphor Bronze  
 Insulator Material: Nylon 6T  
 Plating: Au or Sn over 50μ" (1.27) Ni



Mates with:  
 TSHS  
 TSHC  
 TSHR  
 TSHSM  
 BSTS  
 BSTC  
 BSTCM

Products cut to specific sizes are uncancellable/nonreturnable

Parts are subject to change without notice

**SSHS-6-S SERIES**

**.050 cl Single Row - Straight  
 Socket Strips**

**06 FEB 07**

Scale  
 NTS

UNLESS OTHERWISE SPECIFIED  
 DIMENSIONS IN INCHES (MM)  
 TOLERANCES ARE:

ONE PLACE DECIMALS ±.100  
 TWO PLACE DECIMALS ±.010  
 THREE PLACE DECIMALS ±.005  
 FOUR PLACE DECIMALS ±.0020



4235 Earnings Way, New Albany, Indiana, 47150, USA  
 1-800-782-3486 (USA/Canada/Mexico)  
 Tel: 812-944-7244  
 Fax: 812-944-7268  
 E-mail: mle@mlelectronics.com  
 Web: www.mlelectronics.com

Edition  
 1

Sheet  
 1/1